

APB-D200 R

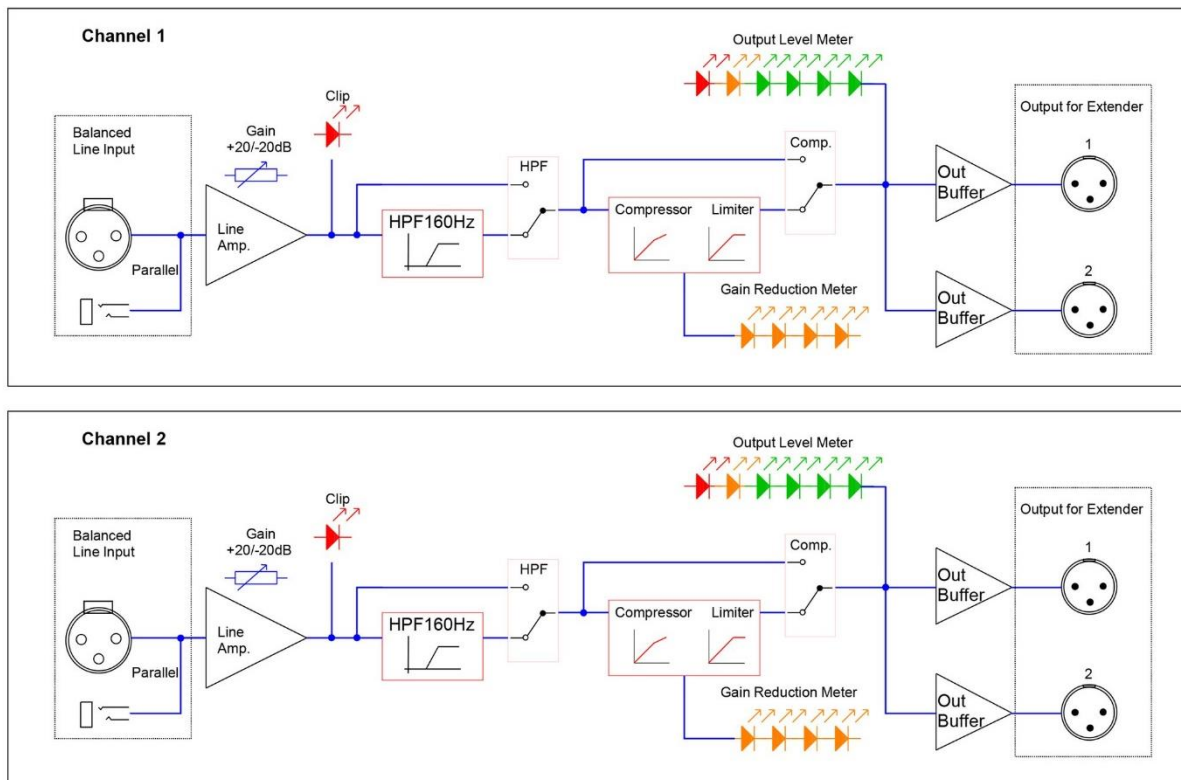
- Active 19" rack AudioPressBox distribution Drive unit, 2 LINE Inputs, 4 buffered Outputs



FEATURES

- Professional active 19" rack AudioPressBox Drive unit
- Channels (2x balanced LINE Input)
- Switchable High-Pass filter for for each Input channel
- Switchable Compressor and Limiter for for each Input channel
- 4 separately buffered Outputs (2 for each channel) that can drive 6x APB-008 or 2x APB-024 Output expanders.
- Maximum drive capacity 96 Line or Mic Outputs.
- Note: Source of: APB-008 SB-EX, APB-008 IW-EX, APB-008 OW-EX, APB-008 FB-EX, APB-024 R-EX, APB-P008 OW-EX, APB-P008 IW-EX

BLOCK DIAGRAM APB-D200 R



Audio Press Box[®]

Audio Press Box APB-D200 R

Type 2 IN/ 4 Drive OUT for 12xAPB 8-Output expanders or 4xAPB 24-Output expander
Note: Total capacity:96 Line/Mic outputs (12x APB-008 xx-EX or 4x APB-024 R-EX)

Input section

Inputs 2
Input connectors Balanced, XLR
Max. input level Line: +32/+2dBu
Input Impedance >5kOhm

Output section

Outputs 4 separately buffered, balanced outputs for AudioPressBox expanders
Output connectors Balanced, XLR
Nominal Output Level +6 dBu
Maximum Output Level +20dBu with 48 Outputs in use
+16dBu (600kOhm)
Output impedance Mic: 220 Ohm Line: 600 Ohm
Transformer isolated outputs: Yes (**each EXPANDER output is Independant Transformer Isolated**)
SNR 86dB at 0dB Gain
78dB at +20dB Gain
Frequency Response 30/160Hz (filter) to 60kHz/-1dB
Controls Input gain, Compressor and Limiter, High Pass Filter, Power
Indicators Input clip, Output level, Gain reduction, Power
Power Supply 24V DC, 300mA external adaptor