

Audio Press Box[®]

APB-416 C

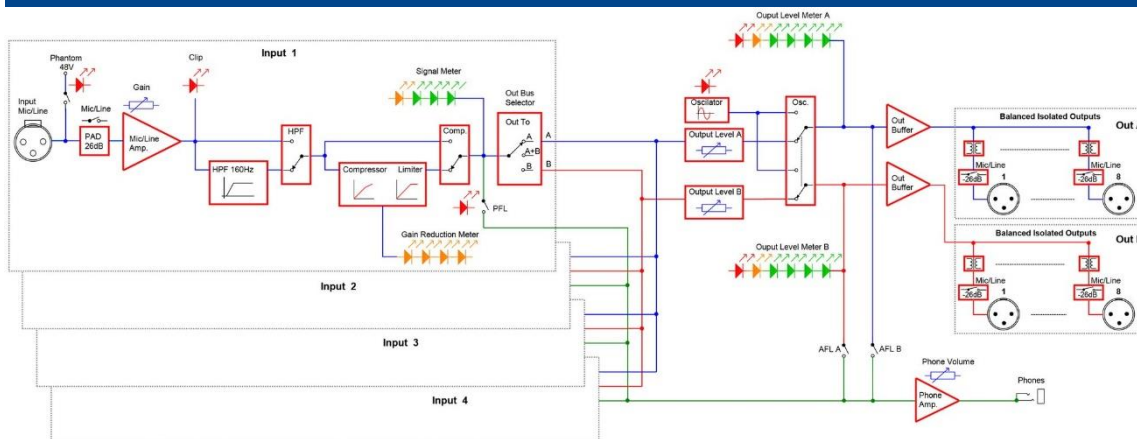
- Audio Press Box – Active, portable, 4x MIC/Line In, 16 Line/MIC Out, AccuPack 10 hours



Features

- 4 MIC (phantom power) / LINE Inputs – balanced with gain control and 26dB PAD
- Each Input is routable to A/(A+B)/B Outputs Group
- 16 High quality independent transformer balanced and isolated outputs
- Each Outputs is switchable between MIC or LINE level
- 2 internal Output Groups: 8x Output A and 8x Output B
- Switchable High-Pass filter for each Input channels
- Switchable Compressor and Limiter for each Input channel
- PFL/AFL for each Input/Output channels
- Constant level Test signal oscillator with no mistake switch operation
- Headphones control Output for PFL/AFL
- Li-Ion AccuPack with microprocessor controlled battery management
- 10 hour full load capacity. Note: AccuPack is placed inside the unit

BLOCK DIAGRAM APB-416 C



Audio Press Box[®]

Audio Press Box APB-416 C

Type 4 in 24 out

Groups 2

Input section

Inputs 4

Input connectors Balanced, XLR

Input Gain MIC +22/+62 dB LINE -4/+36 dB

Max. input level Limiter ON Limiter OFF

Mic: -10/-30dBu Mic: -2/-42dBu
Line: +36/-4dBu Line: +24/-16dBu

Phantom Voltage 48V

Input Impedance Mic: 2,4 kOhm Line: 3,5 kOhm

Output section

Outputs 16 Line/MIC level (8x Output A, 8x Output B),

Output connectors Balanced, XLR

Nominal Output Level +6dBu

Maximum Output Level +20dBu (no load)
+14dBu (600kOhm)

Output impedance Mic: 220 Ohm Line: 600 Ohm

Transformer isolated outputs: Yes **(each output)**

SNR 86dB

Frequency Response 30/160Hz (filter) to 30kHz/-1dB

Controls **Input section:** 26dB PAD, Input gain, Phantom, High-pass filter, Compressor, PFL, routing switch **Output section:** Oscillator, Output level for Bus A and Bus B, AFL for Bus A and Bus B, Phones level, Power, Output PAD

Indicators **Input section:** Input clip, Phantom power, Input level, Gain reduction, PFL **Output section:** Output level for Bus A and Bus B, Oscillator, Power, Battery status

Power Supply 24V DC, 300mA external adaptor

Battery Li-Ion, 14,4 V 2200mAh

Battery operation time min.8 hrs

Weight 7 kg