

APB-400 R-RPS

- Audio Press Box – Active, 19" rack, 4x MIC/Line In, 4 buffered outputs for expanders

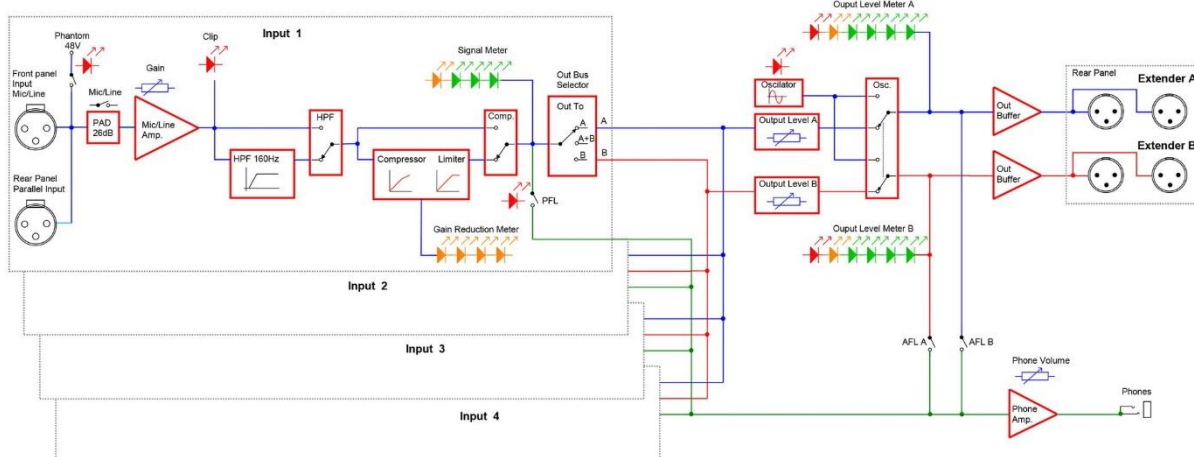


Features

- 4 MIC (phantom power) / LINE Inputs – balanced with gain control and 26dB PAD
- Each Input is routable to A/(A+B)/B Outputs Group
- 4 separate buffered A and B Outputs for driving up to 96 channels of passive expanders: APB-024 R-EX, APB-008 IW/OW, APB 008FB, APB P008 IW/OW
- Switchable High-Pass filter for each Input channel
- Switchable Compressor and Limiter for each Input channel
- PFL/AFL for each Input/Output channel
- Constant level Test signal oscillator with no mistake switch operation
- Headphones control Output for PFL/AFL
- Redundant Power Supply

Note: Drive unit for: APB-008 SB-EX, APB-008 IW-EX, APB-008 OW-EX, APB-008 FB-EX, APB-024 R-EX, APB-P008 OW-EX, APB-P008 IW-EX

BLOCK DIAGRAM APB-400 R-RPS



Audio Press Box[®]

Audio Press Box APB-400 R-RPS

Type 4 In

Groups 2

Input section

Inputs 4

Input connectors Balanced, XLR

Input Gain MIC +22/+62 dB LINE -4/+36 dB

Max. input level Limiter ON Limiter OFF

Mic: -10/-30dBu Mic: -2/-42dBu
Line: +36/-4dBu Line: +24/-16dBu

Phantom Voltage 48V

Input Impedance Mic: 2,4 kOhm Line: 3,5 kOhm

Output section

Outputs 4 expander outputs (2x buffered expander for Bus A and B)

Output connectors Balanced, XLR

Nominal Output Level +6dBu

Maximum Output Level +20dBu (no load)
+14dBu (600kOhm)

Output impedance Mic: 220 Ohm Line: 600 Ohm

Transformer isolated outputs: Yes **(each output)**

SNR 86dB

Frequency Response 30/160Hz (filter) to 30kHz/-1dB

Controls **Input section:** 26dB PAD, Input gain, Phantom, High-pass filter, Compressor, PFL, routing switch **Output section:** Oscillator, Output level for bus A and bus B, AFL for Bus A and Bus B, Phones level, Power, Output PAD

Indicators **Input section:** Input clip, Phantom power, Input level, Gain reduction, PFL **Output section:** Output level for Bus A and Bus B, Oscillator, Power,

Power Supply 24V DC, 300mA external adaptor

Dimensions (WxHxD) 2 RU, 480x88x100mm

Weight 2,4 kg