

AudioPressBox[®]

APB-320 C-D-USB

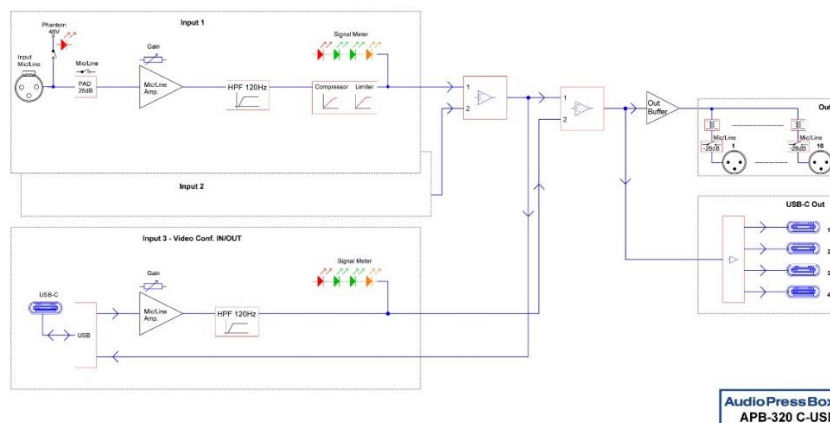
AudioPressBox – Active, portable, 2x MIC/Line In, 1x Dante In, 1x USB-C In & Out, 16x Line/MIC Out, 4x USB-C Out AccuPack 20 hours, Phones out



Features

- 2 Analog MIC (phantom power) / LINE Inputs – balanced with gain control and 26dB PAD
- 1 Channel DANTE Input - RJ45 ethercon
- 1 Digital USB-C input & output
- 16 Analog High quality independent transformer balanced and isolated outputs
- 4 Digital USB-C outputs
- Analog Outputs are switchable between MIC or LINE level
- Built-in Compressor and Limiter for analog Inputs
- Phones out
- On unit printed QR code for online acces to manual, user guide and video guide
- Li-Ion AccuPack with microprocessor controlled battery management
- 20 hour full load capacity. Note: AccuPack is placed inside the unit

BLOCK DIAGRAM APB-320 C-D-USB



Audio Press Box[®]

Audio Press Box APB-320 C-D-USB		
Type	3 in 20 out	
Groups	1	
Input section		
Inputs	2 analog, 1 Dante, 1 USB-C	
<i>Analog Inputs</i>		
Input connectors	Balanced, XLR	
Input Gain	Mic: +22/ +62dB	Line: -4/ +36dB
Max. input level	Mic: -10/ -30dBu	Line: +36/ -4dBu
Phantom Voltage	48V	
Input Impedance	Mic: 2,4 kΩ	Line: 3,5 kΩ
<i>Digital Input/ Output</i>		
USB Input		
Input connector	USB Type C	
Compliant USB Specificaion	USB 2.0	
Input Gain	-∞/ +6 dB	
Supported Sampling Rates	32kHz, 44.1kHz, 48kHz	
Bit Depth	16-Bit	
Interface Powering:	Bus Powered*	
Charging capability:	No	
Dante Input		
Number of channels	1	
Input connectors	RJ45 - Dante	
PoE Requirement	No	
Reference level	-18dBFS	
Output section		
<i>Analog Outputs</i>		
Headphone output	JACK 6,3mm	
Outputs	16 Analog with Line/ MIC level, 4 Digital	
Output connectors	Balanced, XLR	
Nominal Output Level	+6dBu	
Maximum Output Level	+20dBu (no load)	+14dBu (600Ω)
Output impedance	Mic: 220Ω	Line: 600Ω
Transformer isolated outputs	Yes (each output)	
SNR	86dB	
Frequency Response	120Hz to 30kHz/ -3dB	
Digital Outputs		
Output connector	USB Type C	
Compliant USB Specification	USB 2.0	
Supported Sampling Rates	8kHz, 11.025kHz, 16kHz, 22.05kHz, 32kHz, 44.1kHz, 48kHz	
Bit Depth:	16-Bit	
Interface Powering:	Bus powered*	
Charging capability:	No	
Controls		
Input section	26dB PAD, Input gain, Phantom, Analog/ Dante switch	
Output section	Phones level, Power switch, Output PAD	
Indicators		
Input section	Phantom power, Input level, Dante Input	
Power		
Power Supply	24V DC, 1A external adaptor	
Battery	Li-Ion, 14,4V 2200mAh	
Battery operation time	up to 14 hours	
Mechanical		
Dimensions (WxHxD)	370x 120x 300mm	
Weight	5100 g	