

AudioPressBox®

APB-216 C-D

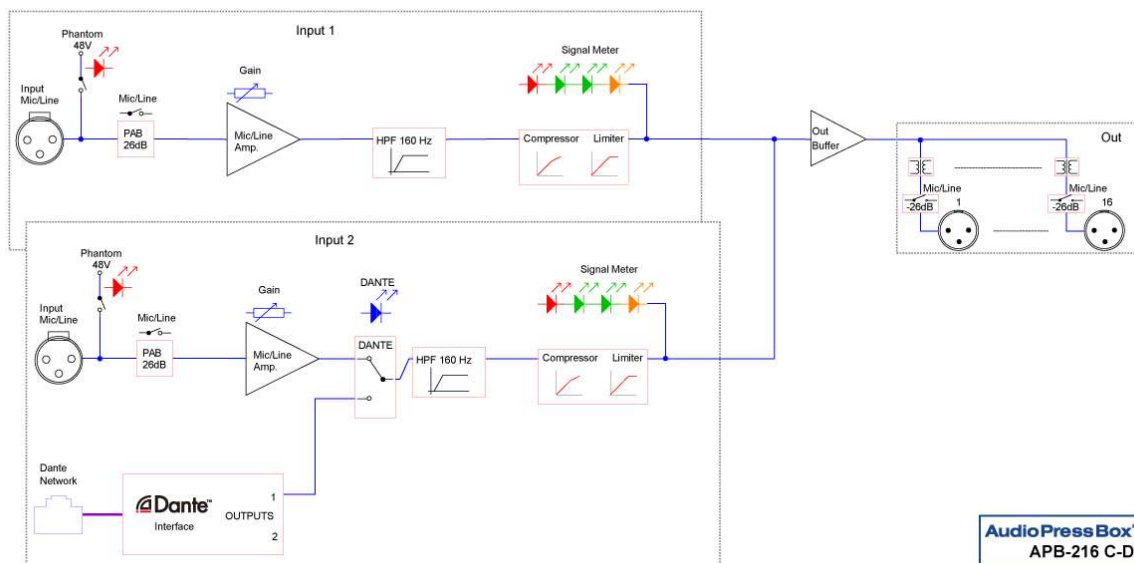
AudioPressBox – Active, portable, 2x MIC/Line In, 1x Dante In, 16x Line/MIC Out, AccuPack 20 hours



Features

- 2 MIC (phantom power) / LINE Inputs – balanced with gain control and 26dB PAD
- 1 Channel DANTE Input - RJ45 ethercon
- 16 High quality independent transformer balanced and isolated outputs
- Each Output is switchable between MIC or LINE level
- Built-in Compressor and Limiter for each Input
- On unit printed QR code for online acces to manual, user guide and video guide
- Li-Ion AccuPack with microprocessor controlled battery management
- 10 hour full load capacity. Note: AccuPack is placed inside the unit

BLOCK DIAGRAM APB-216 C-D



AudioPressBox®
APB-216 C-D

Audio Press Box[®]

Audio Press Box APB-216 C-D

Type	2 in 16 out with Dante	
Groups	1	
Input section		
Inputs	2 analog, 1 Dante	
Analog		
Input connectors	Balanced, XLR	
Input Gain	Mic: +22/+62dB	Line: -4/+36dB
Max. input level	Mic: -10/-30dBu	Line: +36/-4dBu
Phantom Voltage	48V	
Input Impedance	Mic: 2,4 k Ω	Line: 3,5 k Ω
Dante		
Number of channels	1	
PoE Requirement	No	
Reference level	-18dBFS	
Input connector	RJ45	
Output section		
Outputs	16 Line/MIC level	
Output connectors	Balanced, XLR	
Nominal Output Level	+6dBu	
Maximum Output Level	+20dBu (no load) +14dBu (600 Ω)	
Output impedance	Mic: 220 Ω	Line: 600 Ω
Transformer isolated outputs	Yes (each output)	
SNR	86dB	
Frequency Response	120Hz to 30kHz/ -1dB	
Controls		
Input section	26dB PAD, Input gain, Phantom, Input 2/ Dante switch	
Output section	Power switch, Output PAD	
Indicators		
Input section	Phantom power, Input level	
Power		
Power Supply	24V DC, 1A external adaptor	
Battery	Li-Ion, 14,4V 2200mAh	
Battery operation time	up to 20 hours	
Mechanical		
Dimensions (WxHxD)	370x 120x 300mm	
Weight	4,8kg	