

Audio Press Box®

APB-116 R

- Audio Press Box – Active, 19" rack, 1x MIC/Line Input, 16 Line/MIC Outputs



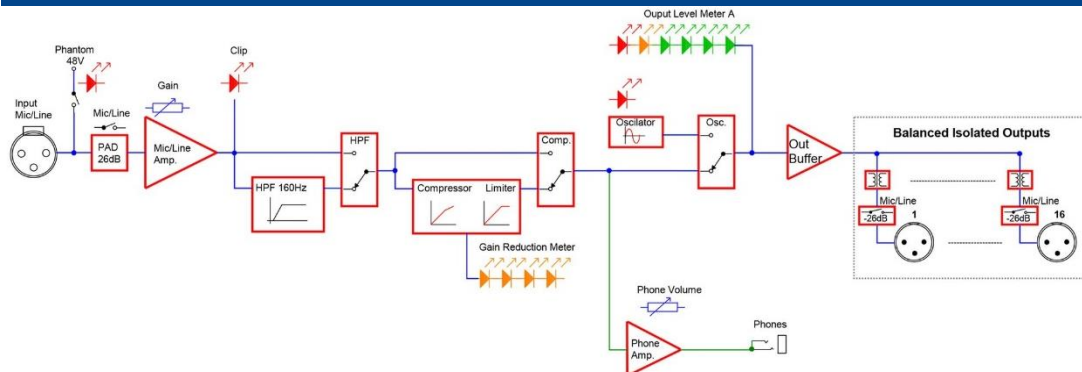
Features

- 1 MIC (phantom power) / LINE Input – balanced with gain control and 26dB PAD
- 16 High quality independent transformer balanced and isolated outputs
- Each Output is switchable between MIC or LINE level
- 2 internal Output Groups: 8x Output A and 8x Output B
- Switchable High-Pass filter for each Input channel
- Switchable Compressor and Limiter for each Input channel
- Constant level Test signal oscillator with no mistake switch operation
- Headphones control Output

ADVANTAGES

- **Professional**
APB is a sophisticated tool for professional audio distribution at press conferences, presentations and other events.
- **Easy to use** Perfect signal conditioning means securing a high quality, constant and identical signal for all connected users, without possibility of interacting.

BLOCK DIAGRAM APB-116 R



Audio Press Box[®]

Audio Press Box APB-116 R

Type 1 in16 out

Groups 1

Input section

Inputs 1

Input connectors Balanced, XLR

Max. input level	Limiter ON	Limiter OFF
	Mic: -10/-30dBu Line: +36/-4dBu	Mic: -2/-42dBu Line: +24/-16dBu

Phantom Voltage 48V

Input Impedance	Mic: 2,4 kOhm	Line: 3,5 kOhm
-----------------	---------------	----------------

Output section

Outputs 16 Line/MIC level

Output connectors Balanced, XLR

Nominal Output Level +6dBu

Maximum Output Level +20dBu (no load)
+14dBu (600kOhm)

Output impedance	Mic: 220 Ohm	Line: 600 Ohm
------------------	--------------	---------------

Transformer isolated outputs: Yes **(each output)**

SNR 86dB

Frequency Response 30/160Hz (filter) to 30kHz/-1dB

Controls Mic/Line PAD, Input gain, Phantom, High-pass filter, Compressor, Oscillator, Phones level, Power, Output PAD

Indicators Input clip, Phantom power, Output level, Gain reduction, Power

Power Supply 24V DC, 300mA external adaptor

Dimensions (WxHxD) 2 RU, 480x88x100mm

Weight 3,5 kg