

APB-112 SB-D

- Active, Portable, AudioPressBox unit, 1 channel DANTE input, 12 LINE/Mic outputs



FEATURES

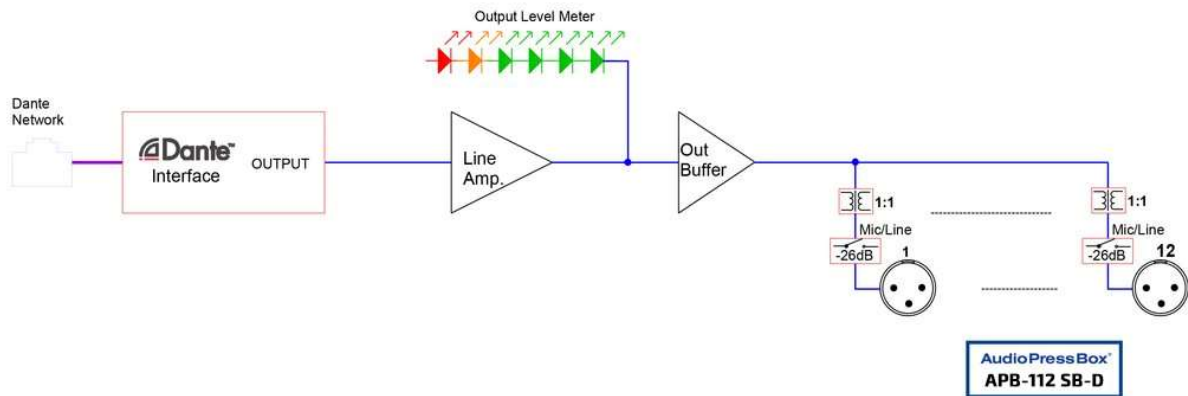
- 1 channel DANTE input - RJ45 ethercon
- 12 high quality balanced, individually transformer isolated outputs.
- each output is switchable between Line or MIC level.
- the unit is powered only via PoE from DANTE network
- thanks to DANTE patching you can easily expand number of channels or number of outputs by adding other APB-112 SB-D

ADVANTAGES

- **Professional**
APB is a sophisticated tool for professional audio distribution at press conferences, presentations and other events.
- **Dante**
1-channel Dante input, the unit is active and powered by a PoE

AudioPressBox[®]

BLOCK DIAGRAM



TECHNICAL SPECIFICATION

| | |
|--|-------------------------------------|
| Type | 1 In 12 Out |
| Inputs | 1 |
| Input connectors | RJ45 - Dante |
| Outputs | 12 Line/MIC level |
| Output connectors | Balanced, XLR |
| Nominal Output level | +6dBu (front outputs) |
| Maximum Output Level | +20dBu (no load) +14dBu (600Ohm) |
| Output impedance | Mic: 220Ohm |
| Individually transformer isolated output | Yes (each output) |
| SNR | >90 dB |
| Frequency Response | 20Hz to 20kHz/-dB |
| Indicators | Output level, Power |
| Power Supply | PoE, Class3 |
| Dimensions (WxHxD) | 294x98x137mm |
| Weight | 2,8 kg |