



# AudioPressBox®

## APB-112 IW-D

Press Conference Audio Distribution Amplifier  
Owner's manual

English



Always follow the basic precautions listed below to avoid the possibility of serious injury or even death from electrical shock, short-circuiting, damages, fire or other hazards. These precautions include, but are not limited to, the following:

## WARNING

---

### Do not open

- Do not open the device or attempt to disassemble the internal parts or modify them in any way. The device contains no user-serviceable parts. If it should appear to be malfunctioning, discontinue use immediately and have it inspected by qualified AudioPressBox service personnel.

### Water warning

- Do not expose the device to rain, use it near water or in damp or wet conditions, or place containers on it containing liquids which might spill into any openings.
- Never insert or remove an electric plug with wet hands.

### If you notice any abnormality

- If the power cord or plug becomes frayed or damaged, or if there is a sudden loss of sound during use of the device, or if any unusual smells or smoke should appear to be caused by it, immediately turn off the power switch, disconnect the electric plug from the outlet, and have the device inspected by qualified AudioPressBox service personnel.
- If this device or the AC power adaptor should be dropped or damaged, immediately turn off the power switch, disconnect the electric plug from the outlet, and have the device inspected by qualified AudioPressBox service personnel.



Always follow the basic precautions listed below to avoid the possibility of physical injury to you or others, or damage to the device or other property. These precautions include, but are not limited to, the following:

## CAUTION

---

### Power supply/Power cord

- Remove the electric plug from the outlet when the device is not to be used for extended periods of time, or during electrical storms.
- When removing the electric plug from the device or an outlet, always hold the plug itself and not the cord. Pulling by the cord can damage it.
- To avoid generating unwanted noise, make sure there is 50cm or more between the AC power adaptor and the device.
- Do not cover or wrap the AC power adaptor with a cloth or blanket.

- Do not expose the device to excessive dust or vibrations, or extreme cold or heat (such as in direct sunlight, near a heater, or in a car during the day) to prevent the possibility of panel disfiguration or damage to the internal components.
- Do not place the device in an unstable position where it might accidentally fall over.

#### Connections

- Before connecting the device to other devices, turn off the power for all devices. Before turning the power on or off for all devices, set all volume levels to minimum.

#### Handling caution

- When turning on the AC power in your audio system, always turn on the power amplifier LAST, to avoid speaker damage. When turning the power off, the power amplifier should be turned off FIRST for the same reason.

- Do not insert your fingers or hands in any gaps or openings on the device.
- Avoid inserting or dropping foreign objects (paper, plastic, metal, etc.) into any gaps or openings on the device. If this happens, turn off the power immediately and unplug the power cord from the AC outlet. Then have the device inspected by qualified AudioPressBox service personnel.
- Do not use the device or headphones for a long period of time at a high or uncomfortable volume level, since this can cause permanent hearing loss. If you experience any hearing loss or ringing in the ears, consult a physician.
- Do not rest your weight on the device or place heavy objects on it, and avoid use excessive force on the buttons, switches or connectors.

XLR-type connectors are wired as follows (IEC60268 standard): pin 1: ground, pin 2: hot (+), and pin 3: cold (-).

AudioPressBox cannot be held responsible for damage caused by improper use or modifications to the device, or data that is lost or destroyed.

The performance of components with moving contacts, such as switches, volume controls, and connectors, deteriorates over time. Consult qualified AudioPressBox service personnel about replacing defective components.

Illustrations herein are for explanatory purposes only, and may not match actual appearance during operation.

Company names and product names herein are trademarks or registered trademarks of their respective companies.

Specifications and descriptions in this owner's manual are for information purposes only. AudioPressBox reserves the right to change or modify products or specifications at any time without prior notice. Since specifications, equipment or options may not be the same in every locale, please check with your AudioPressBox dealer.



APB-112 IW-D

Dear customer,

Thank you for purchasing the AudioPressBox® APB-112 IW-D .

APB-112 IW-D is an active, in wall, AudioPressBox unit with 1 channel DANTE input and 12 Line/Mic outputs. It is powered via PoE from DANTE-network.

The unit is powered only via PoE from DANTE network. This is a PoE level 3 device.

CAUTION– If using a PoE injector, it must be IEEE 802.3af compliant. Use of a non-compliant PoE injector can terminally damage the device and may void the warranty.

Features:



Transformer

Individually transformer isolated outputs.



Power via POE



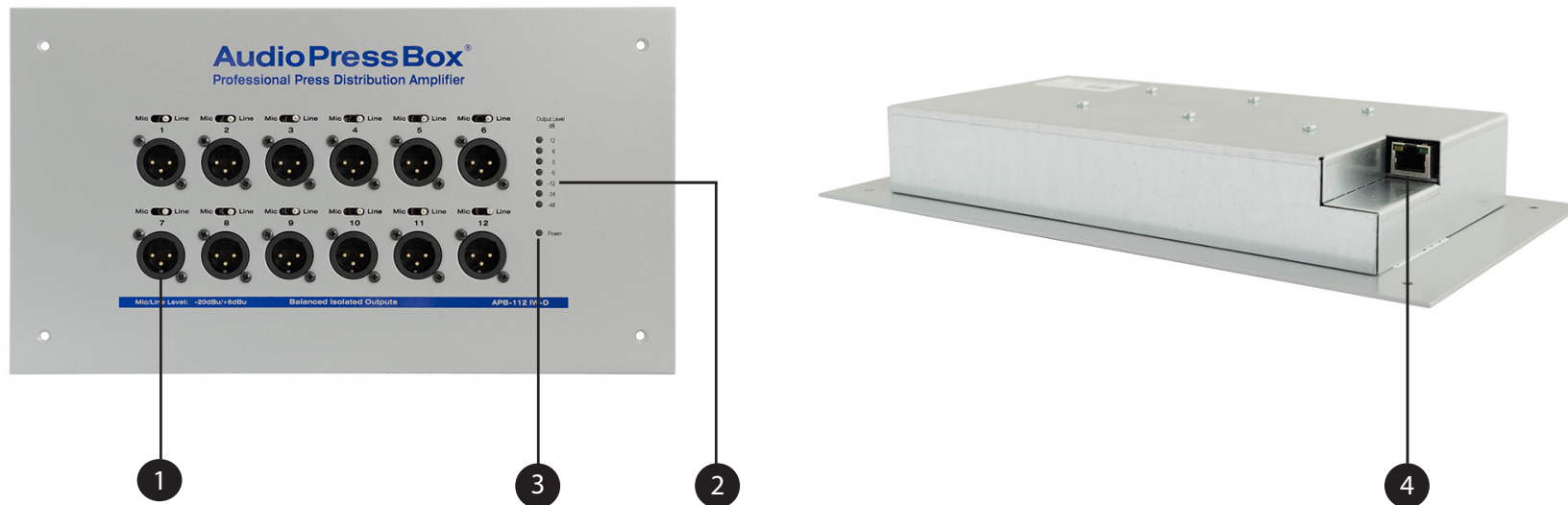
1-channel Dante interface

---

The package contains

1. AudioPressBox unit.
2. Manual
3. Test report

# APB-112 IW-D



## 1.) Line/Mic Outputs

Individually transformer isolated outputs with switchable Output level (Line/MIC). 3-Pin XLR balanced output connector.

## 2.) Output level indicator

## 3.) Power LED

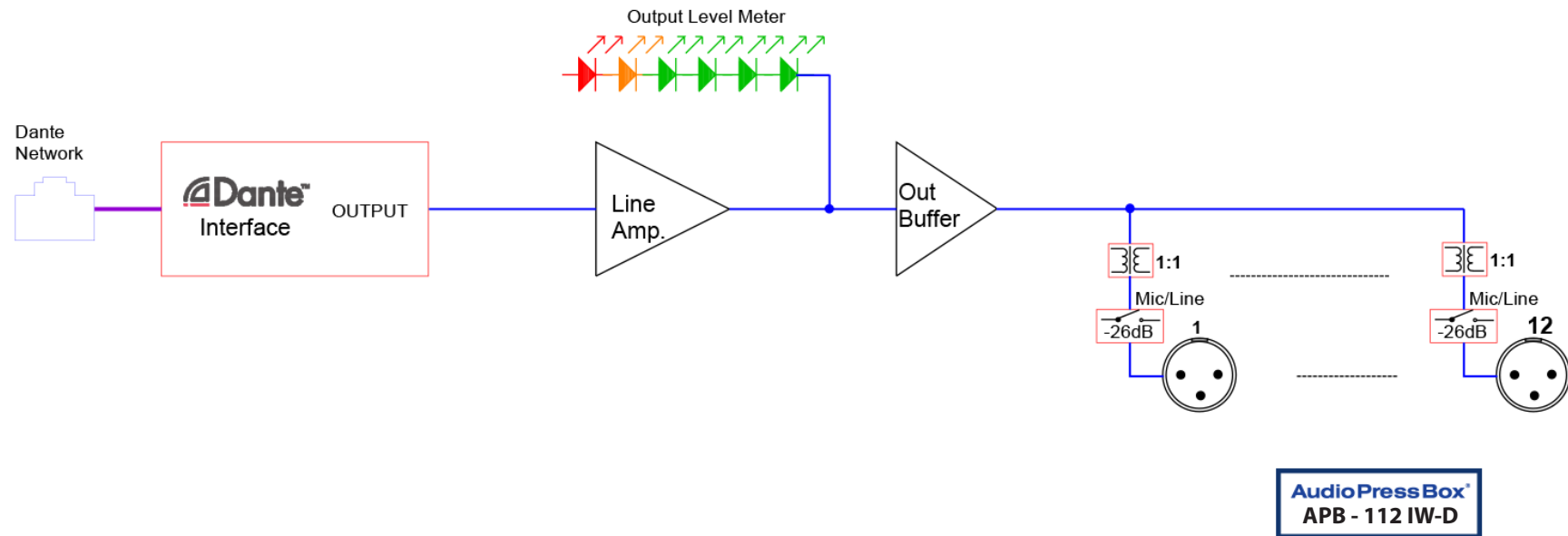
## 4.) Dante connector

Connects the Dante interface to the Dante Network. This interface requires a PoE. The unit will be visible on the Dante Network as: APB-112 IW-D-serialnumber. It is set to receive the IP address from a DHCP server.

# Specifications

Audio Press Box APB-112 IW-D	
Type	1 In 12 Out
Groups	1
<b>Input section</b>	
Inputs	1
Input connectors	RJ45 - Dante
<b>Output section</b>	
Outputs	12 Line/MIC level
Output connectors	Balanced, XLR
Nominal Output Level	+6dBu (front outputs)
Maximum Output Level	+20dBu (no load) +14dBu (600Ohm)
Output impedance	Mic: 220 Ohm Line: 600 Ohm
Individually transformer isolated outputs	Yes ( <b>each output</b> )
SNR	>70 dB
Frequency Response	20Hz to 20kHz/-3dB
Indicators	Output level, Power
Power Supply	PoE, Class 3

# Block diagram



# Audio Press Box<sup>®</sup>

e-mail: [sales@audiopressbox.com](mailto:sales@audiopressbox.com) | web: [www.audiopressbox.com](http://www.audiopressbox.com)

MediaTech Central Europe, a.s., Drienova 34, 821 02 Bratislava, Slovak Republic (EU)  
Tel: +421 2 20 999 700