

AudioPressBox[®]

APB-112 IW-D-USB-US

- Active, In wall, AudioPressBox unit, 1 channel DANTE input, 4x USB-C outputs, 8x LINE/Mic outputs



FEATURES

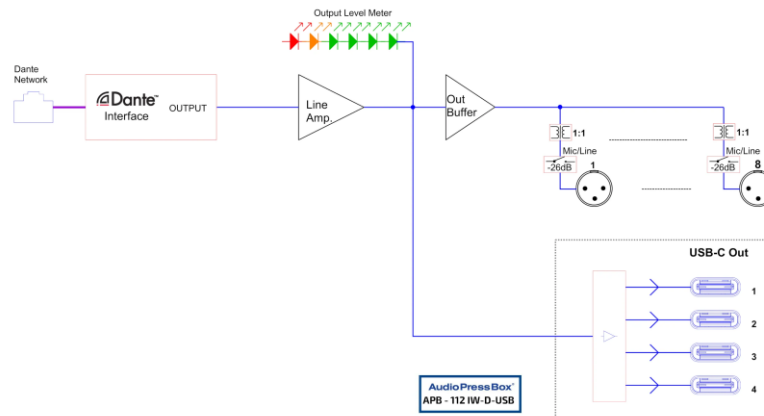
- 1 channel DANTE input - RJ45 ethercon
- 8 high quality balanced, individually transformer isolated outputs.
- Each XLR output is switchable between Line or MIC level.
- 4 USB-C outputs
- the unit is powered only via PoE from DANTE network
- thanks to DANTE patching you can easily expand number of channels or number of outputs by adding other APB-112 IW-D-USB-US
- US standard NEMA box

ADVANTAGES

- **Professional**
APB is a sophisticated tool for professional audio distribution at press conferences, presentations and other events.
- **Dante**
1-channel Dante input, the unit is active and powered by a PoE
- **USB-C**
4 USB-C outputs

Audio Press Box®

BLOCK DIAGRAM



Audio Press Box APB-112 IW-D-USB US version	
Type	1 in 12 out
Groups	1
Input section	
Inputs	1
Input connectors	RJ45 - Dante
PoE Requirement	YES
Reference level	-18dBFS
Output section	
Analog Outputs	
Outputs	8 Line/ MIC level
Output connectors	Balanced, XLR
Nominal Output Level	+6dBu
Maximum Output Level	+20dBu (no load) +14dBu (600Ω)
Output impedance	Mic: 220Ω Line: 600Ω
Transformer isolated outputs	Yes (each output)
SNR	>70dB
Frequency Response	80Hz to 20kHz/-3dB
Digital Outputs	
Output connector	USB Type C
Compliant USB Specification	USB 2.0
Supported Sampling Rates	8kHz, 11.025kHz, 16kHz, 22.05kHz, 32kHz, 44.1kHz, 48kHz
Bit Depth	16-Bit
Interface Powering	Bus powered (from connected USB host device)
Charging capability	No
Indicators	
Output section:	Output level, Power
Power	
Power Supply	PoE, Class 3
Mechanical	
Dimensions (WxHxD)	320x 320x 45mm
Weight	2,7 kg
Compatible NEMA box	12124

AudioPresBox US, 1508 Batavia Avenue, Geneva, IL60134

Tel: 630-232-8900 x 241 | E-mail: us@audiopressbox.com | Web: www.audiopressbox.com