

APB-008 IW-EX-US

- Audio Press Box – In wall Expander unit, 8 Line/MIC Outputs



FEATURES

- 8 High quality balanced Outputs, each Output is independent transformer isolated
- Each Output is switchable between LINE or MIC Output level.
- 2 internal Output Groups: 4x Output A and 4x Output B
- US standard NEMA box

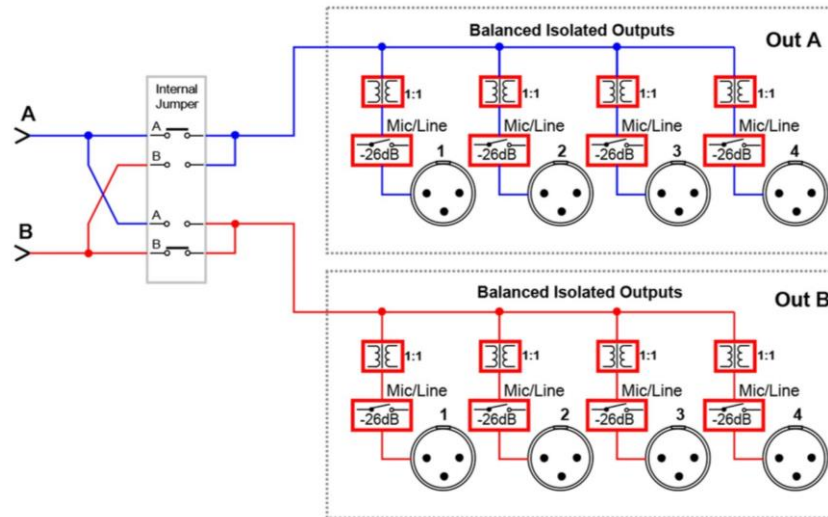
Note: Requires a drive unit: APB-208 R (RPS), APB -400 R (RPS), APB-D100, APB-D100 R, APB-D200 R

ADVANTAGES

- **Professional**
APB is a sophisticated tool for professional audio distribution at press conferences, presentations and other events.
- **Easy to use**
Perfect signal conditioning means securing a high quality, constant and identical signal for all connected users, without possibility of interacting.
- **Fixed installation**
AudioPressBox expanders are a perfect solution for any fixed installation. Whether it is an on-wall, in-wall or a floor box solution, you always get the same, perfect functionality.

Audio Press Box®

BLOCK DIAGRAM APB-008 IW-EX



TECHNICAL SPECIFICATION

Type	Expander
Groups	2
Inputs	1x Bus A 1x Bus B
Input connectors	balanced, 3-pin phoenix connector
Outputs	4x Bus A, Line/MIC level 4x Bus B, Line/MIC level
Output connectors	balanced, XLR-M connector
Transformer isolated outputs	Yes (each output)
Nominal Output level	MIC: -20dBu LINE: +6 dBu
Output Impedance	MIC: 220Ω LINE: 600Ω
Compatible NEMA box	884