

# KAKA® Industrial

## Specifications

Model.....AP-3  
 Stock No. ....176504  
 Capacity..... 3.0 ton  
 Max. opening.....288 mm  
 Deep Throat.....155 mm  
 Worktable diameter.....  $\varnothing$ 185  
 Ram Square.....38×38 mm  
 Packing Size..... 470x230x600 mm  
 N.W./G.W. ....45/46 kg



## Unpacking

The ARBOR PRESS is shipped from the manufacture in a carefully packed Carton box. Thoroughly inspect the product upon opening the package. After unpacking the unit, carefully inspect for any damage that may have occurred during transit.

If damage has occurred, shipping damage claims must be filed with the carrier and are the responsibility of the user.

Check for completeness. Immediately report missing parts to dealer.

Carefully open crate and unbolt brake from shipping pallet and remove from crate using heavy duty lifting equipment such as an overhead crane.

## Warning

The warnings, cautions and instructions discussed in this instructions or situations that could occur. It must be understood by the operator that common sense and caution are factors which cannot be built into this product, but must be supplied by the operator.

## SAVE THIS MANUAL

You will need this manual for the safety instruction, assembly instruction, operating procedures, parts list, and diagram. Write your invoice number on the inside front cover. Put both your manual and invoice in a safe, dry place for future reference.

---

# **Model AP-3**

---

# KAKA<sup>®</sup> Industrial

## IMPORTANT SAFELY PRECAUTIONS

READ ALL INSTRUCTIONS BEFORE USING THIS TOOL.

1. KEEP WORK AREA CLEAN. Cluttered areas invite injuries.
2. CONSIDER WORK AREA CONDITIONS. Don't use tool in damp, wet, or poorly lit locations. Don't expose to rain. keep work area well lit.
3. KEEP CHILDREN AWAY. All children should be kept away from the work area. Don't let them handle tool or extension cords.
4. STORE IDLE EQUIPMENT. When not in use. tool should be locked up in a dry location to inhibit rust. If possible, store in an area out of reach of children.
5. DON'T FORCE TILE TOOL. It will do the job better and more safely at the rate for which it was intended.
6. USE THE RIGHT TOOL. Don't force a small tool or attachment to do the work of a larger industrial tool. Don't use a tool for a purpose for which it was not intended.
7. DRESS PROPERLY. Don't wear loose clothing or jewelry. They can be caught in moving parts. Protective gloves and non-skid footwear are recommended

when working. Wear protective hair covering to contain long hair, preventing it from getting caught in machinery.

8. USE EYE PROTECTION. Wear ISO approved impact goggles.
9. SECURE WORK. Use clamps or a vise to hold the work if possible. It's safer than using your hands and it frees both hands to operate the tool.
10. DON'T OVERREACH. Keep proper footing and balance always.
11. MAINTAIN TOOLS WITH CARE. Keep tools sharp and clean for better and safer performance. Follow instruction for lubricating and changing accessories. Inspect tool cords periodically and if damaged, have them repaired by an authorized service facility. Keep handles dry, clean, and free from oil and grease.
12. REMOVE ADJUSTING KEYS AND WRENCHES. Make it a habit to check that keys and adjusting wrenches are removed from the tool or machine work surface before using.
13. STAY ALERT. Watch what you are doing, use common sense. Don't operate any tool when you are tired.
14. CHECK DAMAGED PARTS. Before using any tool, any part that appears damaged should be carefully checked to

# Model AP-3

---

determine that it will operate properly and perform its intended function. Check for alignment of moving parts, binding of moving parts, breakage of parts, mounting, and other conditions that may affect its operation. Any part that is damaged should be properly repaired by an authorized service center unless otherwise indicated elsewhere in the instruction manual.

15. **REPLACEMENT PARTS AND ACCESSORIES.** When servicing, use only identical replacement parts. Only use accessories intended for use with this tool. Approved accessories are available from the franchiser.

16. **DO NOT OPERATE TOOL IF UNDER THE INFLUENCE OF ALCOHOL OR DRUGS.** Read warning labels on prescription to determine if your judgment or reflexes are impaired while taking drugs. If there is any doubt, do not operate machine.

17. **NEVER STAND ON TOOL.** Serious injury could occur if the tool is tipper over.

18. **KEEP GUARDS IN PLACE AND IN WORKING ORDER.** Never operate machine unless all guards are function properly.

19. **NEVER USE A TOOL IF ITS COVER OR ANY BOLTS ARE MISSING.** If the cover or bolts have been removed, replace them prior to use. Maintain all parts in good working order.

20. **DO NOT ATTEMPT TO LIFT OVERLY HEAVY WORK.** Get help when lifting tools and materials that are too heavy for you to do yourself. When appropriate and whenever possible, use a hoist forklift.

21. **CLEAN UP SPILLS LIKELY TO CAUSE SLIPPING.** Keep floor clean and free of all fluids and other spills likely to cause slipping. Check material safety data sheets for proper clean-up procedures.

## 1.Usage

The machine of AP series is suitable for press-fitting and pulling bearings. Designed with high quality steel body, it is easy to be operated, and take advantage of no power consumption; it is an ideal tool for energy-saving.

## 2.Installation and caution

### 2.1 Installation

2.1.1 Please check whether the part of this machine are fully equipped and not

# KAKA<sup>®</sup> Industrial

damaged according to the parts list or 2.2.3 Keep proper footing and your

## PARTS LIST

Part No.	Description	Part No.	Description
1	Body	8	Work table
2	Sleeve	9	Conical pin
3	Screw	10	Screw M8X25
4	Nut M10	11	Gear
5	Bolt M10x35	12	Handle
6	Blade	13	Sleeve
7	Cover		

part figure.

2.1.2 This machine should be mounted on hard ground or specific stand (not supplied).

2.1.3 Please leave plenty room around the machine for your easy operating, in order to avoid injury.

2.1.4 Please remove the anti-rust grease on processing surfaces and some parts included with kerosene.

### 2.2 Caution

2.2.1 Please read this manual before operation and make yourself understand its structure and principle completely.

2.2.2 Please don't operate the material of size exceed the table list max. range.

body

balance. Force should be applied swiftly and steady.

2.2.4 Please don't touch the blade during operation.

## 3. Operation and maintenance

This machine is pre-adjusted before out of factory. When you want to use, rotate the handle (#13) to drive the blade (#6) to move up and down though gear (#12).

Before your operation, you can adjust bolt (#5) and nut (#6), to make the balance of the blade (#6) suited for the work piece.

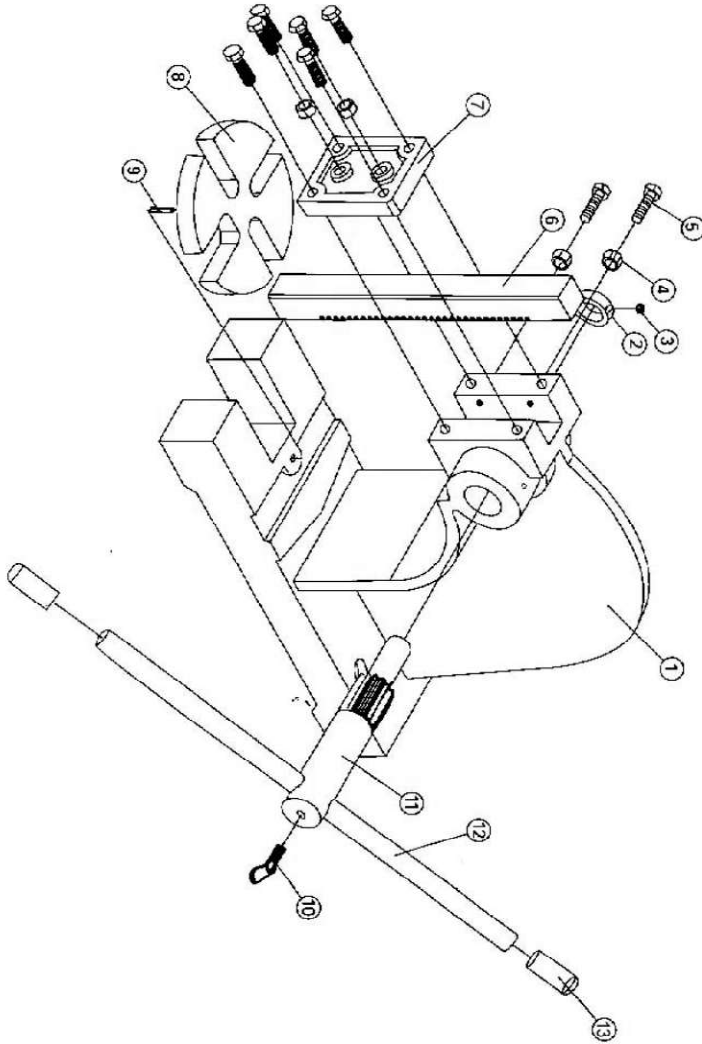
---

# **Model AP-3**

---

4. Lubricate the machine every day.

**Diagram:**



---

## NOTES

---

---

---

---

---

---

---

---

---

---

---

---

---



## SERVICE RECORD

KAKA® Industrial

Date	Maintenance performed	Repair components require

Stock No: 176504  
Edition 1 01/2018  
Copyright © 2018 KAKA



---

If you have any questions about the use of this product, please contact the nearest one to you as below:

**KAKA INDUSTRIAL LLC**

Mail:  
info@kakaindustrial.com  
Add: 4200 STEVE  
REYNOLDS BLVD  
STE 6 NORCROSS, GA  
30093

**KAKA INDUSTRIAL LTD.**

Mail:  
echo@kakaindustrial.com  
Add: 3143 Underhill  
Avenue,  
Burnaby, B.C V5A3C8,  
Canada

**KANG INDUSTRIAL PTY LTD**

Mail:  
kang@kakaindustrial.com  
Add: 3 WAYNE COURT  
DANDENONG VIC 3175