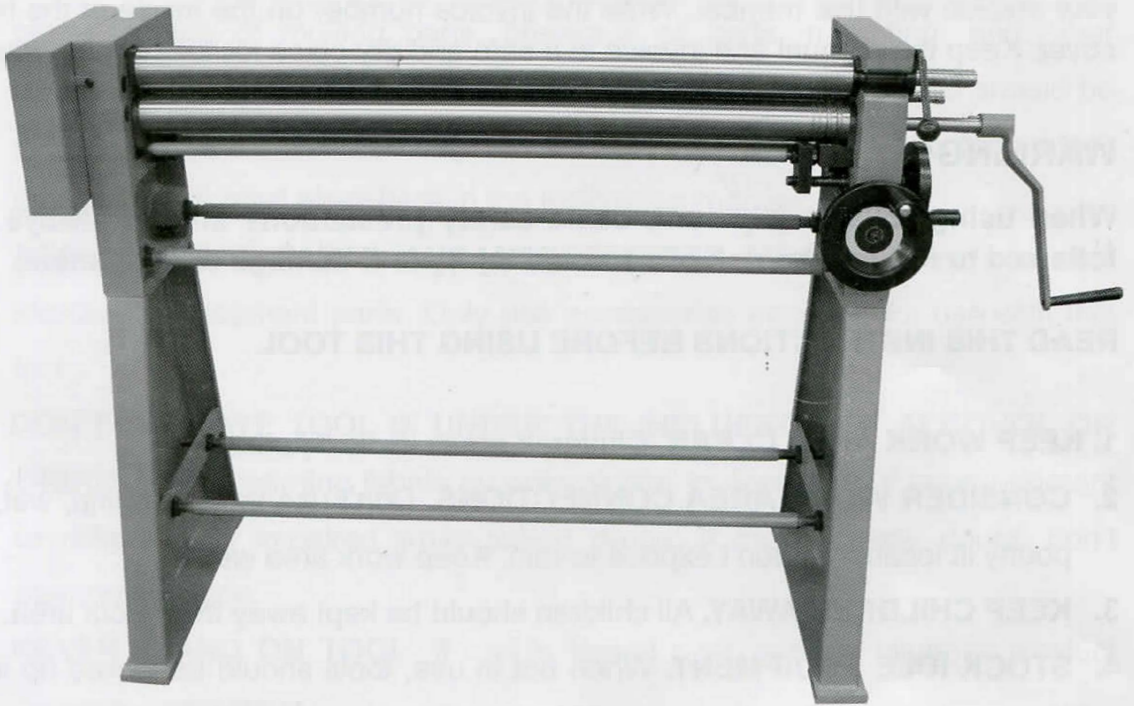


SLIP ROLL

Model: W01-4914



Operation Manual

Specifications

Model	Max. Thickness	Max. Width	Dia. of Roll	Packing Size	Net Weight
W01-4914	2.0mm	1250mm	60mm	180x50x69cm	223kg

Save This Manual

You will need the manual for the safety warnings and precautions, assembly instructions, operating and maintenance procedures, parts list and diagram. Keep your invoice with this manual. Write the invoice number on the inside of the front cover. Keep the manual and invoice in a safe and dry place for future reference.

WARNING:

When using roller equipment, basic safety precautions should always be followed to reduce the risk of personal injury and damage to equipment.

READ THIS INSTRUCTIONS BEFORE USING THIS TOOL

- 1. KEEP WORK AREA CLEAN.** Cluttered areas invite injuries.
- 2. CONSIDER WORK AREA CONNECTIONS.** Don't use tools in damp, wet, or poorly lit locations. Don't expose to rain. Keep work area well lit.
- 3. KEEP CHILDREN AWAY.** All children should be kept away from work area.
- 4. STOCK IDLE EQUIPMENT.** When not in use, tools should be locked up in a dry location to inhibit rust. If possible, store in an area out of reach of children.
- 5. USE THE RIGHT TOOL.** Don't force a small tool or attachment to do the work of a larger industrial tool. Don't use a larger industrial tool. Don't use a tool for a purpose for which it was not intended.
- 6. DRESS PROPERLY.** Don't wear loose clothing or jewelry. Non-skid footwear is recommended when working to prevent slipping. Wear protective hair

covering to contain long hair.

7. **USE EYE PROTECTION.** Wear approved impact goggles at all times when using this tool.
8. **SECURE WORK.** Use clamps or a vise to hold the work if possible. It's safer than using your hands and it frees both hands to operate the tool.
9. **DON'T OVERREACH.** Keep handles dry. Clean, and free from oil and grease. Follow instructions for lubricating and changing accessories.
10. **MAINTAIN TOOL WITH CARE.** Keep handles dry, clean, and free from oil and grease. Follow instructions for lubricating and changing accessories.
11. **CHECK DAMAGE PARTS.** Before using any tool, any parts that appear damaged should be carefully checked to determine that it will operate properly and perform its intended function. Check for alignment of moving parts, binding of moving parts, breakage of parts, mounting, and other conditions that may affect its operation. Any part that is damaged should be properly repaired or replaced by an authorized service center unless otherwise indicated elsewhere in the instruction manual.
12. **REPLACEMENT PARTS AND ACCESSORIES.** When serving, use only identical replacement parts. Only use accessories intended for use with this tool.
13. **DON'T OPERATE TOOL IF UNDER THE INFLUENCE OF ALCOHOL OR DRUGS.** Read warning labels on prescription to determine if your judgment or reflexes are impaired while taking drugs. If there is any doubt, don't operate machine.
14. **NEVER STAND ON TOOL.** If tool is tipped over, serious injury or product damage could result.

Unpacking

The Slip Roll machine should come assembled when unpacked. Look for any loose parts in the packing material before discarding. If any are found, try and find the part on the machine is missing or broken, please call the Distributor as soon

as possible.

Assembly and Adjustment

1. First, mount the stands (73#) by the lever (74#), nuts (53#), flat washer (40#) firmly. Then fix the Slip Roll machine to the stand by bolting. Refer to the Parts Diagram.
2. Adjust distance between Shaft 1 (#19) and Shaft 2 (#52) if necessary.
 - a. The distance between Shaft 1 (#19) and Shaft 2 (#52) can be adjusted by turning the Handle wheel (38#)
 - b. To decrease the distance between the two shafts, turn the Adjusting Bolt (#38) clockwise.
 - c. To increase the distance, turn the Adjusting Bolt (#38) counterclockwise.
3. Adjust distance between Shaft 1 (#19) and Shaft 3 (#26) if necessary
 - a. The distance between Shaft 1 (#19) and Shaft 3 (#26) can be adjusted by turning the Handle wheel (#38).
 - b. To decrease the distance between the two shafts, turn the Adjusting Bolts (#38) clockwise.
 - c. To increase the distance, turn the Adjusting Bolts (#38) counterclockwise.
4. Removal of Shaft 1 (#19) if necessary. The left end of Shaft 1 is mounted on a Square Bushing (#17), and the right end of Shaft 1 is mounted through the Right Stand (#29) into the Sleeve (#30).
 - a. Turn the handle (33#), make the open mouth assign with the mouth of right stand (29#).
 - b. Pull the right end of the Shaft 1 outward.
5. Remounting Shaft 1
 - a. Reinsert the right end of Shaft 1 into the open mouth of the Right Stand.
 - b. Turn the handle (33#), driving the sleeve (30#) round. So that, lock the shaft 1.

Operation

Before using, check the mounting and adjustment of this machine. Rotate the Handle (#24) and check whether the seven gears (#6, #12, #10, #68, #71) have good, firm contact with each other. Shafts 1, 2 and 3 should be clean and free of metal debris. Refer to the Parts Diagram.

Forming Rolls

1. Insert the steel plate between Shaft 1 (#19) and Shaft 2 (#52).
2. Rotate the Handle (#24) to form the metal roll.
3. If the diameter of the metal roll is not correct, turn the handle wheel (#38) clockwise to decrease the diameter, or counterclockwise to increase the diameter of the roll.
4. Remove the finished roll. Turn the handle (33#), make the open mouth align with the mouth of right stand (29#). Pull the right end of the Shaft 1 outward.

Forming Rings

The half-round slots on the right side of Shaft 2 (#52) and Shaft 3 (#26) can be used to form rings of various dimensions.

1. Insert the steel in half-round slot of Shaft 2 (#52) or Shaft 3 (#26).
2. Rotate the Handle (#24) to form the metal ring.

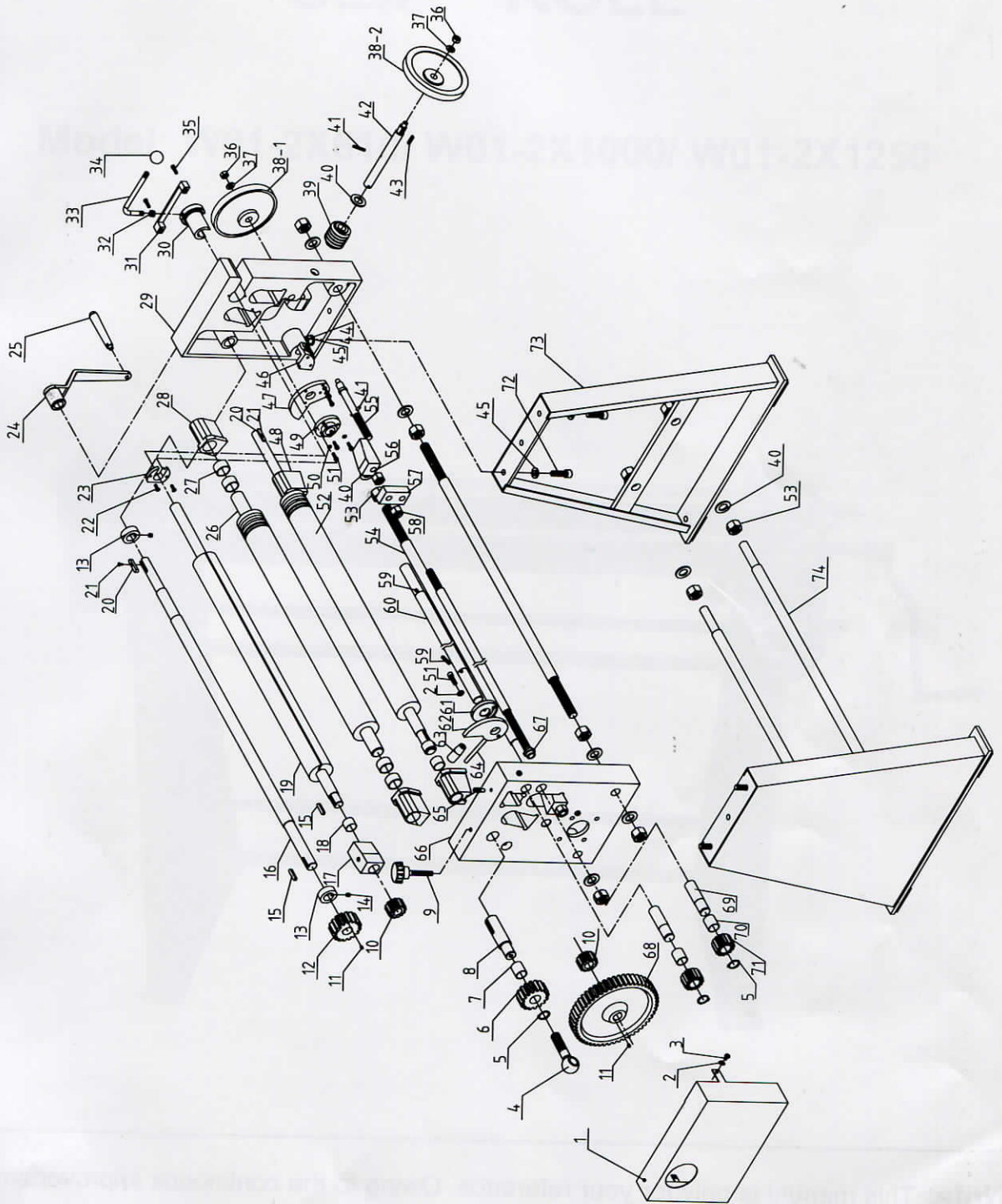
WARNING:

Keep the hands away from the shafts and metal plate during operation. Do not attempt to form rolls from materials other than those specified.

PARTS LIST

NO.	DESC.	SPEC.	QTY	NO.	DESC.	SPEC.	QTY
1	Cover		1	38-2	Handle wheel		1
2	Washer	6	4	39	Worm shaft		1
3	Socket screw	M6X10	3	40	Washer	20	17
4	Screw	M10	1	41	Pin	5X30	2
5	Spring washer	24	3	42	Worm lever		1
6	Gear		1	43	Key	5X20	1
7	Bushing		1	44	Nut	M12	4
8	Shaft		1	45	Washer	12	8
9	Star handle	M10X60	1	46	Worm wheel		1
10	Gear		1	47	Adjusting block		1
11	Screw	M5X8	2	48	Adjusting block		2
12	Gear		1	49	Fixing seat		1
13	Bushing		2	50	Spring washer	6	5
14	Screw	M8X8	2	51	Screw	M6X16	6
15	Key	6X30	2	52	Shaft		1
16	Driving shaft		1	53	Nut	M20	16
17	Fixing block		1	54	Pull lever		2
18	Bushing		2	55	Adjusting lever		1
19	Shaft		1	56	Adjusting block		2
20	Key	5X30	1	57	Fixing plate		1
21	Screw	M4X8	1	58	Nut	M16	3
22	Screw	M5X12	2	59	Pin	6X30	2
23	Location seat		1	60	Shaft		1
24	Crank		1	61	Lock disk		1
25	handle		1	62	Adjusting block		1
26	Shaft		1	63	Handle knob	M8X25	1
27	Bushing		4	64	Handle lever		1
28	Adjusting block		2	65	Location screw		1
29	Right stand		1	66	Left stand		1
30	Locking block		1	67	Nut		1
31	Limit block		1	68	Gearwheel		1
32	Locking nut		1	69	Gear shaft		2
33	Lever		1	70	Bushing		2
34	Handle ball	M10	1	71	Gearwheel		2
35	Socket screw	M6X20	2	72	Screw	M12X40	4
36	Nut	M10	2	73	Stand		2
37	Washer	10	2	74	Lever		2
38-1	Handle wheel		1				

EXPLODED DRAWING



EXPLODED DRAWING



Note: This manual is only for your reference. Owing to the continuous improvement of the machine, changes may be made at any time without obligation on notice.