

# KAKA<sup>®</sup> Industrial

## Specifications

Model.....	SJ-320
Stock No. ....	174006
Minimum Roll Diameter.....	32mm
Maximum Roll Length.....	320mm
Max. Thickness.....	1mm
Net Weight.....	13kgs
Packing Dimension.....	48 x 22 x 19cm



## Unpacking

The SLIP ROLL is shipped from the manufacture in a carefully packed Carton box. Thoroughly inspect the product upon opening the package. After unpacking the unit, carefully inspect for any damage that may have occurred during transit.

If damage has occurred, shipping damage claims must be filed with the carrier and are the responsibility of the user.

Check for completeness. Immediately report missing parts to dealer.

Carefully open crate and unbolt brake from shipping pallet and remove from crate using heavy duty lifting equipment such as an overhead crane.

## Warning

The warnings, cautions and instructions discussed in this instructions or situations that could occur. It must be understood by the operator that common sense and caution are factors which cannot be built into this product, but must be supplied by the operator.

## Save this manual

You will need this manual for the safety instruction, assembly instruction, operating procedures, parts list, and diagram. Write your invoice number on the inside front cover. Put both your manual and invoice in a safe, dry place for future reference.

## Important safety precautions

1. Keep work area clean. Cluttered areas invite injuries.
2. Observe work area conditions. Do not use machines or power tools in damp or

# Model SJ320

---

wet locations. Don't expose to rain. Keep work area well lighted. Do not use electrically powered tools in the presence of flammable gases or liquids.

3.Keep children away. Children must never be allowed in the work area. Do not let them handle machines, tools, or extension cords.

4.Store idle equipment. When not in use, tools must be stored in a dry location to inhibit rust. Always lock up tools and keep them out of reach of children.

5.Do not force tool. It will do the job better and more safety at the rate for which it was intended. Do not use inappropriate attachments in an attempt to exceed the tool capacity.

6.Use the right tool for the job. Do not attempt to force a small tool or attachment to do the work of a large industrial tool. Do not use a tool for a purpose for which it was not intended.

7.Dress properly. Do not wear loose clothing or jewelry as they can be caught in moving parts. Protective, electrically non-conductive clothes and non-skid footwear are recommended when working. Wear restrictive hair covering to contain long hair.

8.Use eye and ear protection. Always

wear ISO approved impact safety goggles. Wear a full-face shield if you are producing metal filings or wood chips. Wear an ISO approved dust mask or respirator when working around metal, and chemical dusts and mists.

9.Do not overreach. Keep proper footing and balance at all times. Do not reach over or across running machine.

10.Maintain tools with care. Keep tools sharp and clean for better and safer performance. Follow instructions for lubricating and changing accessories. The handles must be kept clean, dry, and free from oil and grease at all times.

11.Stay alert. Watch what you are doing; use common sense. Do not operate any tool when you are tired.

12.Check for damaged parts. Before using any tool, any part that appears damaged should be carefully checked to determine that it will operate properly and perform its intended function. Check for alignment and binding of moving parts; any broken parts or mounting fixtures; and any other condition that may affect proper operation. Any part that is damaged should be properly repaired or replaced by a qualified technician.

13.Guard against electric shock. Prevent

# KAKA<sup>®</sup> Industrial

body contact with grounded surfaces such as pipes, radiators, ranges, and refrigerator enclosures.

## 14.Replacement parts and accessories.

When servicing, use only identical replacement parts. Use of any other parts will void the warranty. Only use accessories intended for use with this tool. Approved accessories are available from the distributor.

15.Do not operate tool if under the influence of alcohol or drugs. Read warning labels on prescriptions to determine if your judgment of reflexes are impaired while taking drugs. If there is any doubt, do not operate the tool.

## Operation

1.Mount the Slip Roll machine to a bench by bolting the base of the machine(#24) to the bench. Refer to the Parts Diagram.

2、 Before using, check the mounting and adjustment of this machine. Rotate the Handle (#19/#20) and check whether the two gears (#5) have good, firm contact with each other. Shafts 1, 2 and 3 should be clean and free of metal debris. Refer to the Parts Diagram.

3、 Adjust distance between Shaft 1 (#6) and Shaft 2 (#10) if necessary.

b.The distance between Shaft 2 (#10) and Shaft 1 (#6) can be adjusted by turning the Adjusting Bolts (#12) and (#4)

c.To decrease the distance between the two shafts, turn the Adjusting Bolt (#12) and (#4) clockwise.

d.To increase the distance, turn the Adjusting Bolt (#12) and (#4) counterclockwise.

4、 Insert the steel plate between Shaft 1 (#6) and Shaft 3 (#9). Tighten Fixing bolt (#8), Adjusting bolt(#13), Screw M6X22 (#14), Pressing plate (#15). Rotate the handle (#19/#20), meanwhile screw down the Nut 3X12 (#3), pole (#4), knob 10X40 (#12) inside, push the Shaft2 (#10) higher according to the diameter of the roll.

5、 After finished the rolling. Loosen the Fixing bolt (#8), Adjusting bolt (#13), Screw M6X22 (#14), circumgyrate the pressing plate (#15) for semicircle, push the Shaft1 (#6) up, remove the steel plate from the right.

**WARNING:** Keep the hands away from the shafts and metal plate during operation. Do not attempt to form rolls from materials other than those specified.

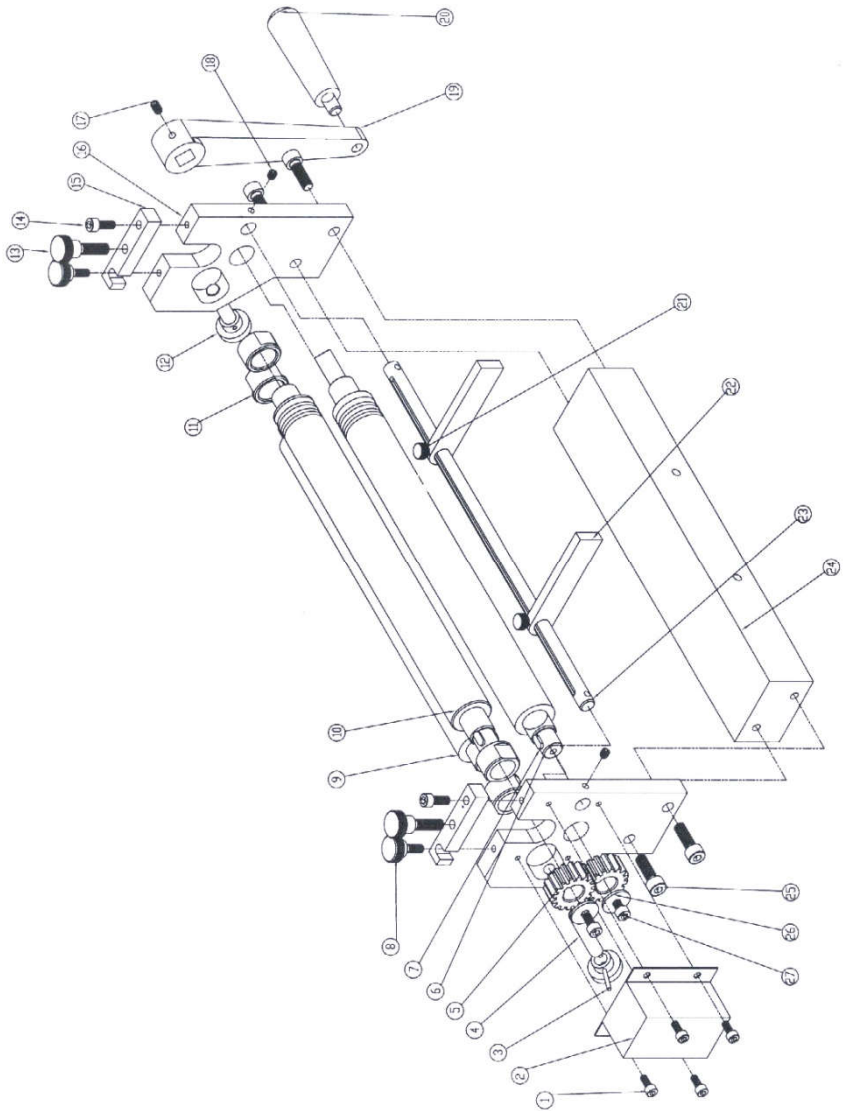
# Model SJ320

---

## Parts List

Item	Description	Qty	Item	Description	Qty
1	Screw M5X12	4	15	Pressing plate	2
2	Shield	1	16	Wall	2
3	Nut 3X22	2	17	Screw M6X12	1
4	Pole	2	18	Fixing bolt M6X8	2
5	Gear	2	19	Handle	1
6	Shaft1	1	20	Turning gripe M10X80	1
7	Key 5X12	2	21	Fixing bolt	2
8	Fixing bolt	2	22	baffle	2
9	Shaft3	1	23	Shaft	1
10	Shaft2	1	24	Base	1
11	Bushing	4	25	Screw M8X25	4
12	Knob 10X40	2	26	Washer	2
13	Adjusting Bolt	2	27	Screw M6X12	2
14	Screw M6X12	2			

**Diagram:**









Stock No: 174006  
Edition 1 01/2018  
Copyright © 2018 KAKA



---

If you have any questions about the use of this product, please contact the nearest one to you as below:

**KAKA INDUSTRIAL LLC**

Mail:  
info@kakaindustrial.com  
Add: 4200 STEVE  
REYNOLDS BLVD  
STE 6 NORCROSS, GA  
30093

**KAKA INDUSTRIAL LTD.**

Mail:  
echo@kakaindustrial.com  
Add: 3143 Underhill  
Avenue,  
Burnaby, B.C V5A3C8,  
Canada

**KANG INDUSTRIAL PTY LTD**

Mail:  
kang@kakaindustrial.com  
Add: 3 WAYNE COURT  
DANDENONG VIC 3175