

# HAND PIPE BENDER MY22

This compact pipe bender is suitable for round pipe from 3/8" to 7/8" and square pipe 3/4", and 1"  
Easy and safe operating: bend a pipe by pulling the handle.

## SPECIFICATIONS

Round pipe (outer diameter): 3/8", 1/2", 9/16", 5/8", 3/4", 7/8".

Square pipe (outer diameter): 3/4", 1"

Pipe thickness: 0.8-1.2mm

Max. bending angle: 180°

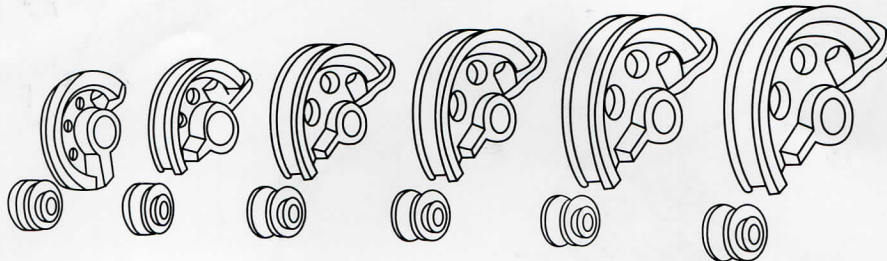
Net weight: 24.3kg

Packing dimension: 63 × 37 × 15cm

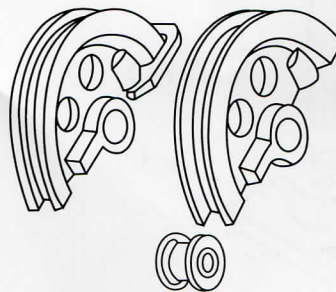
## STRUCTURE

This tool consists of base, spindle, bending arm, die, roller, roller seat, screw, and nut.

6 sets round pipe die and roller: 3/8", 1/2", 9/16", 5/8", 3/4", 7/8"



2 sets square pipe die and roller: 3/4", 1"



## OPERATION

Step 1 Before bending a pipe, select the relevant die and roller.

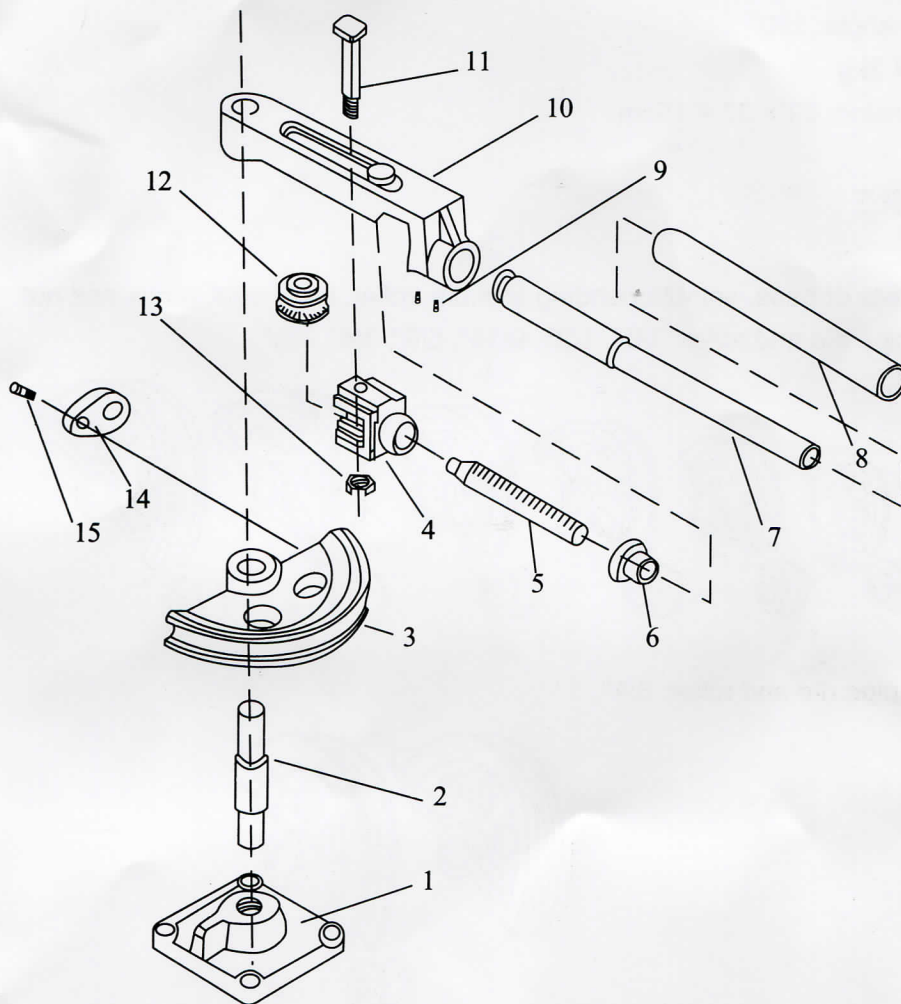
Step 2 Fit the die on the base, the roller into the roller seat.

Step 3 Turn the nut and adjust the length of screw to make the roller, pipe and die nestle up against one another.

Step 4 Pull the handle to turn the bending arm. The pipe will be bent to right angle under the force of roller and die.

Note: Spread some oil on the dies and roller before bending pipe to make the operation more smoothly.

### PARTS LIST



- |          |                 |           |                 |
|----------|-----------------|-----------|-----------------|
| 1. Base  | 2. Spindle      | 3. Die    | 4. Roller Seat  |
| 5. Stud  | 6. Nut          | 7. Handle | 8. Extra Handle |
| 9. Screw | 10. Bending Arm | 11. Bolt  | 12. Roller      |
| 13. Nut  | 14. Limit block | 15. Bolt  |                 |