

GUILLOTINE SHEAR

Model: HS-20 HS-30 HS-40HS-52



ASSEMBLY & OPERATING INSTRUCTION

Usage

This is suitable for Sheetmetal and Steel plate

1. Main technical specification

Model	HS-20	HS-30	HS-40	HS-52
Bed width(mm)	500	800	1000	1300
Shearing thickness	1.5	1.5	1.5	1.5
N.W./G.W.(kg)	35/52	45/67	70/80	70/92
Packing Dim (cm)	84x30x74	112x30x74	138x30x80	170X28X56

3. Installation and caution

3.1 Installation

3.1.1 Please check whether the part of this machine are fully equipped and not damaged according to the parts list or parts figure.

3.1.2 This machine should be mounted on hard ground or specific stand

3.1.3 Please leave plenty room around the machine for your easy operating, in order to avoid injury.

3.1.4 Please remove the anti-rust grease on processing surface and some parts included with kerosene.

3.2 Caution

3.2.1 Please read this manual before operation and make yourself understand its structure and principle completely.

3.2.2 Please don't operate the material width and thickness than table list max range.

3.2.3 When you shear the plate or bar which list in above table , you must be used lengthen handle in order to increase force. (not supplied)

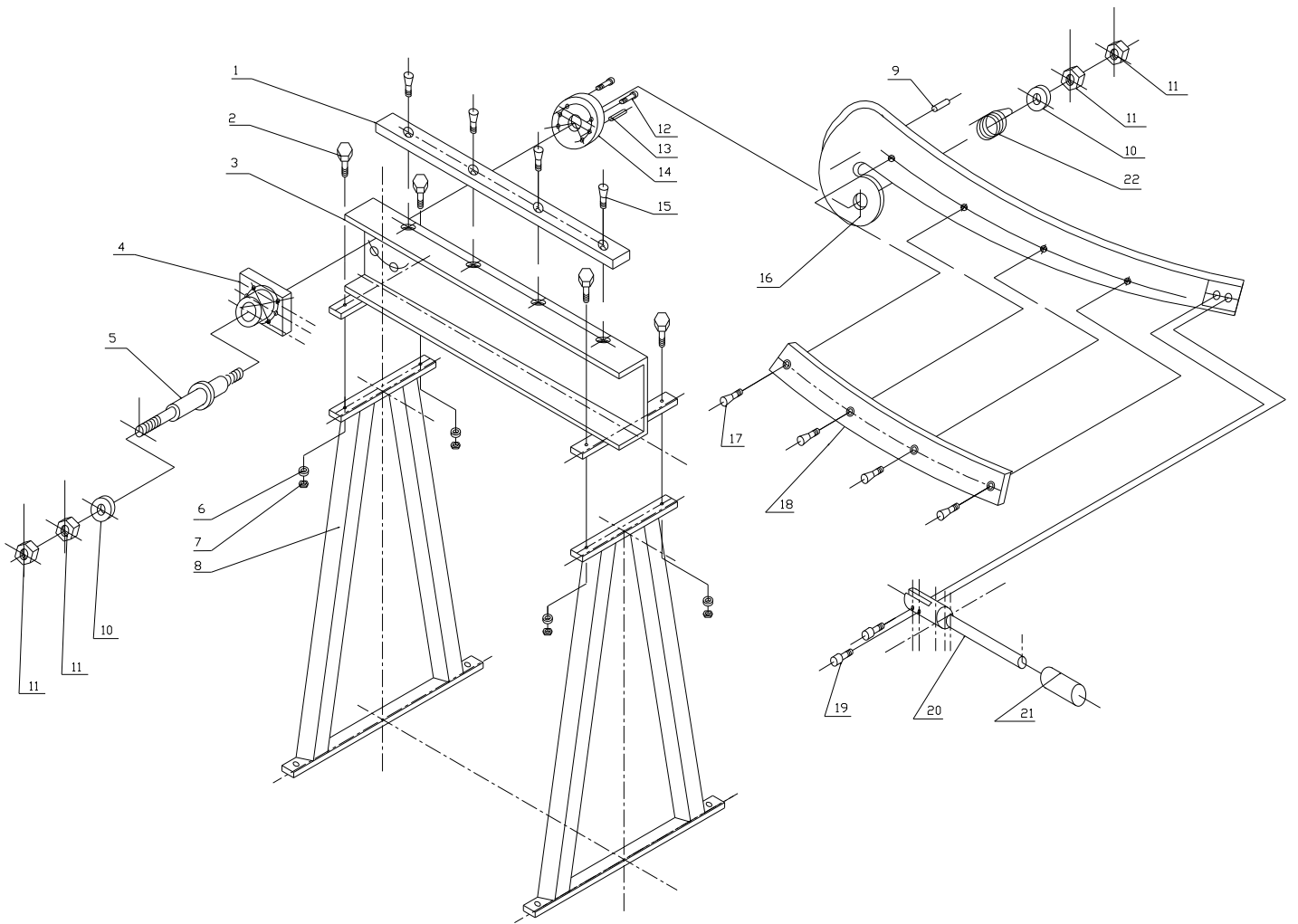
3.2.4 Please don't touch the blade during operation .

4. Lubricate the rotating parts of the machine everyday

5. Parts list

Parts	Description	Quantity	Part	Description	Quantity
1	Lower blade	1	12	Screw	4
2	Bolt	4	13	Pin	2
3	Stand	1	14	Cover	1
4	Base	1	15	Screw	4
5	Shaft	1	16	Board	1
6	Washer	4	17	Screw	4
7	Nut	4	18	Upper blade	1
8	Leg	2	19	Screw	2
9	Spring	1	20	Handle	1
10	Washer	1	21	Handle sleeve	1
11	Nut	1			

ASSEMBLY DRAWING



Note: This manual is only for your reference. Owing to the continuous improvement of the machines changes may be made at any time without obligation on notice.