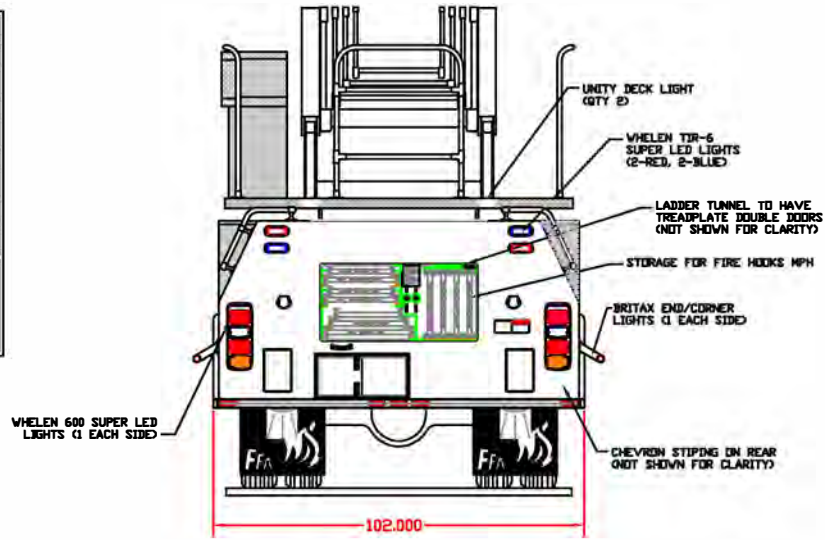


COMPARTMENT DIMENSIONS		
COMPT.	OPENING	INTERIOR
L1	22W X 30H	22W X 30H X 20D
L2	33.5W X 70H	33.5W X 70H X TRANS. UPPER 23D LOWER
L3	42.5W X 70H	42.5W X 70H X TRANS. UPPER 23D LOWER
L4	40W X 38H	40W X 38H X TRANS. UPPER 23D LOWER
L5	37.5W X 27H	37.5W X 27H X TRANS. UPPER 23D LOWER
L6	48.5W X 9H	48.5W X 9H X 23D
L7	34W X 42H	34W X 42H X 23D

IT IS UNLAWFUL TO COPY OR REPRODUCE ANY OR ALL OF THIS DRAWING WITHOUT THE WRITTEN PERMISSION OF FERRARA FIRE APPARATUS. ANY UNAUTHORIZED REPRODUCTION WILL RESULT IN PROSECUTION TO THE FULLEST EXTENT OF THE LAW. DIMENSIONS AND ITEM LOCATIONS ARE APPROXIMATE AND ARE SUBJECT TO DEVIATIONS THAT MAY OCCUR OR BE NECESSARY DURING CONSTRUCTION. SOME DETAILS MAY NOT BE SHOWN.

GROUND LADDER STORAGE		
A	10' FOLDING ATTIC LADDER	1
B	16' ROOF LADDER	1
C	18' ROOF LADDER	2
D	20' ROOF LADDER	1
E	24' 2 SECT. LADDER PEL-24	2
F	35' 2 SECT. LADDER PEL-28	1
G	FIRE HOOKS MPH	4

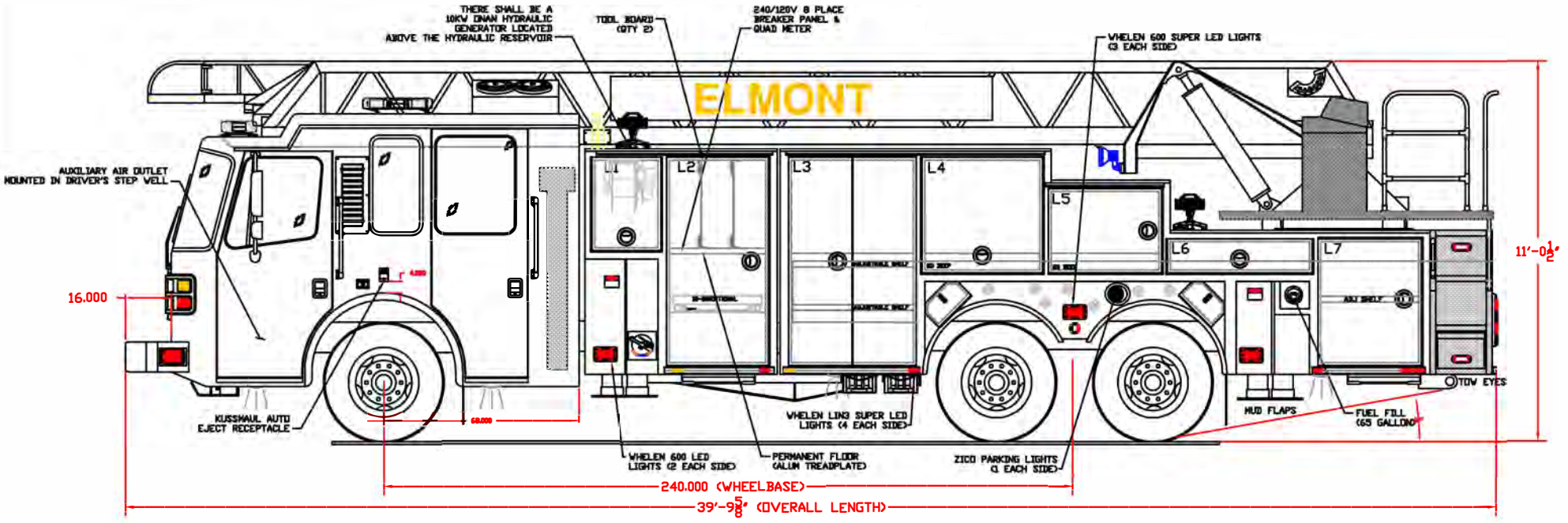


FERRARA 
 FERRARA FIRE APPARATUS, INCORPORATED
NO WATER PUMP/TANK
H-4237

CUSTOMER APPROVAL

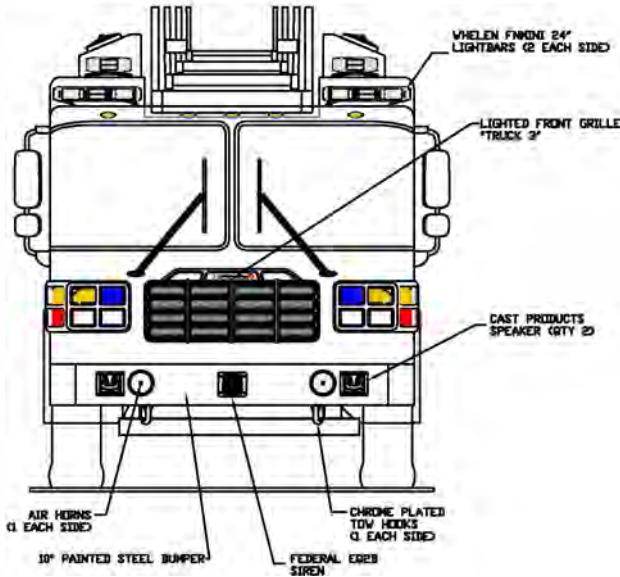
NAME: _____
 BY: _____
 TITLE: _____
 DATE: _____

THIS DRAWING IS A VISUAL REPRESENTATION OF A SPECIFIED APPARATUS. IN THE EVENT OF DISCREPANCIES BETWEEN SPECIFICATIONS AND DRAWING, THE SPECIFICATIONS SHALL PREVAIL.



COMPARTMENT DIMENSIONS		
COMPT.	OPENING	INTERIOR
R1	22W X 30H	22W X 30H X 20D
R2	33.5W X 70H	33.5W X 70H X TRANS. UPPER 23D LOWER
R3	42.5W X 70H	42.5W X 70H X TRANS. UPPER 23D LOWER
R4	40W X 38H	40W X 38H X TRANS. UPPER 23D LOWER
R5	37.5W X 27H	37.5W X 27H X TRANS. UPPER 23D LOWER
R6	48.5W X 9H	48.5W X 9H X 23D
R7	34W X 42H	34W X 42H X 23D

IT IS UNLAWFUL TO COPY OR REPRODUCE ANY OR ALL OF THIS DRAWING WITHOUT THE WRITTEN PERMISSION OF FERRARA FIRE APPARATUS. ANY UNAUTHORIZED REPRODUCTION WILL RESULT IN PROSECUTION TO THE FULLEST EXTENT OF THE LAW. DIMENSIONS AND ITEM LOCATIONS ARE APPROXIMATE AND ARE SUBJECT TO DEVIATIONS THAT MAY OCCUR OR BE NECESSARY DURING CONSTRUCTION. SOME DETAILS MAY NOT BE SHOWN.



FERRARA 
 FERRARA FIRE APPARATUS, INCORPORATED
NO WATER PUMP/TANK
H-4237

CUSTOMER APPROVAL

NAME: _____
 BY: _____
 TITLE: _____
 DATE: _____

THIS DRAWING IS A VISUAL REPRESENTATION OF A SPECIFIED APPARATUS. IN THE EVENT OF DISCREPANCIES BETWEEN SPECIFICATIONS AND DRAWING, THE SPECIFICATIONS SHALL PREVAIL.

