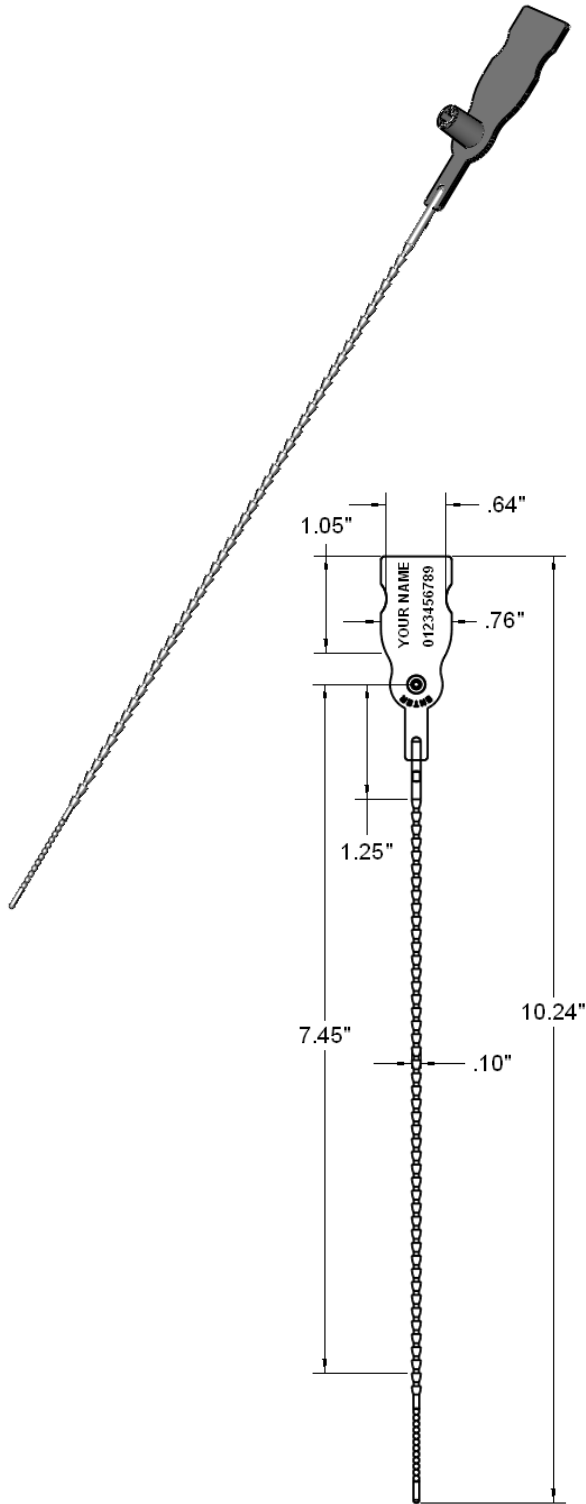


## UNITITE PULL-TIGHT SEAL Plastic Pull-Tight Seal

*Medium indicative plastic security  
seal with pull-tight feature  
Fits medium apertures with medium breaking strength*



### APPLICATIONS

- Tote Boxes
- Medical Carts and Cabinets
- Tool Boxes
- Airline Carts & Trolleys
- Lockout / Tagout
- Valves

### FEATURES

- Easy to install and remove without cutting tools
- Adjustable with more than forty locking positions

### DIMENSIONS

- Usable tail length | Min: 1.25" – Max: 7.45"
- Fits closures larger than 0.10"

### STRENGTH CHARACTERISTICS

- Average linear breaking strength: 18 lbs

### MATERIAL

- Polypropelene
- UV protection available upon request

### COLOR OPTIONS

Many standard colors are available including red, green, blue, yellow, orange, black and white. Please visit our website for more information.

### PRINTING OPTIONS

Digital hot stamping of letters, numbers, logos and barcodes.

### STANDARD PACKAGING

- 100 Pcs / Bag | 5,000 Pcs / Box
- Custom printing available

### INSTRUCTIONS

- Insert tail into locking head on "ENTER" side
- Pull back on tail to check proper sealing
- Log the serial number



**UNITED SECURITY SEALS, INC.**  
2000 Fairwood Avenue  
Columbus, OH 43207

**www.UnitedSecuritySeals.com**  
Tel: 614-443-7633 | 866-614-7633  
Fax: 614-443-4875 | Email: [info@unitedsecurityseals.com](mailto:info@unitedsecurityseals.com)