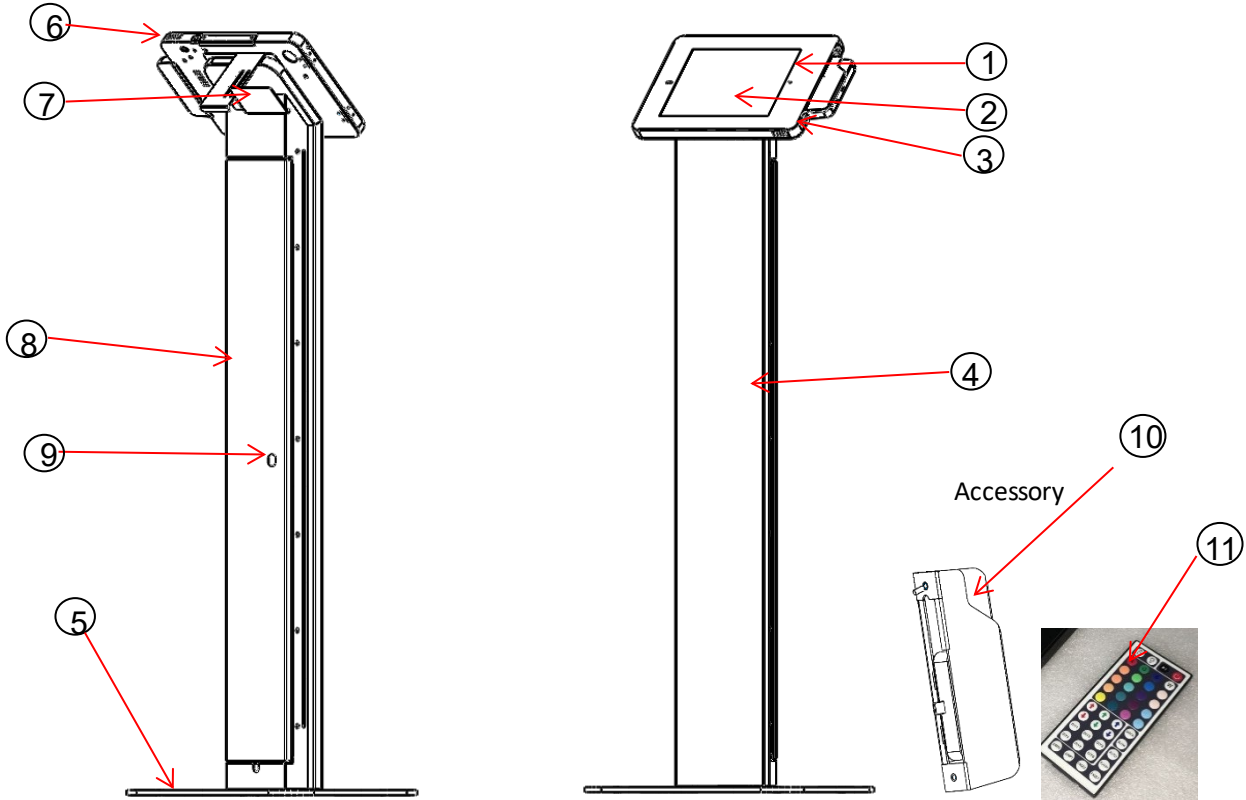


iK6 Kiosk Assembly Instruction

Product parts list



- ① iPad Enclosure ② iPad ③ Lock ④ Stand ⑤ Base ⑥ Microusb port ⑦ Card Holder ⑧ Back Door ⑨ Lock
⑩ Credit card reader case ⑪ LED Remote Control

Step 1 Attach the Base to the stand

Screw M5*16
4PCS

screw driver

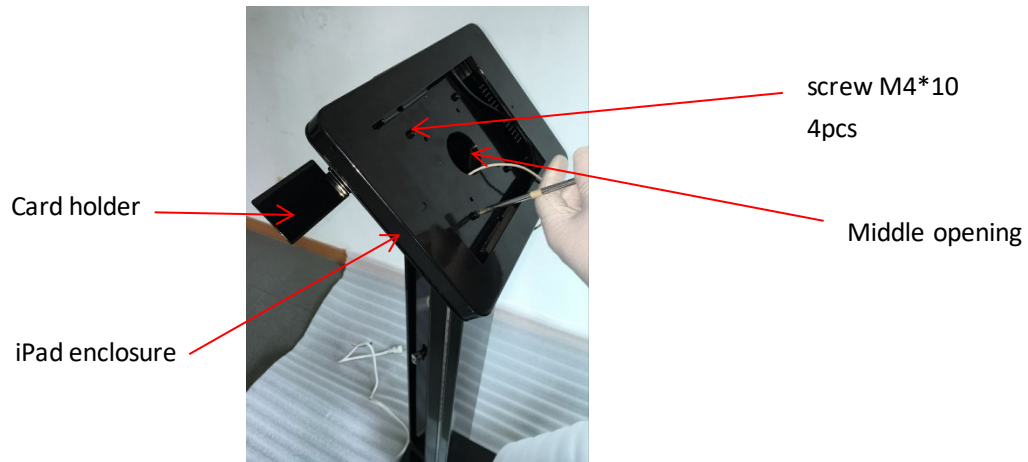


Step 2 Install the Rubber Pads to the Base



rubber
pads

Step 3 Attach the Card Holder and iPad Enclosure to the stand using 4 M4 screws



Step 4 if not using credit card reader Pass original iPad charging cable through the middle opening

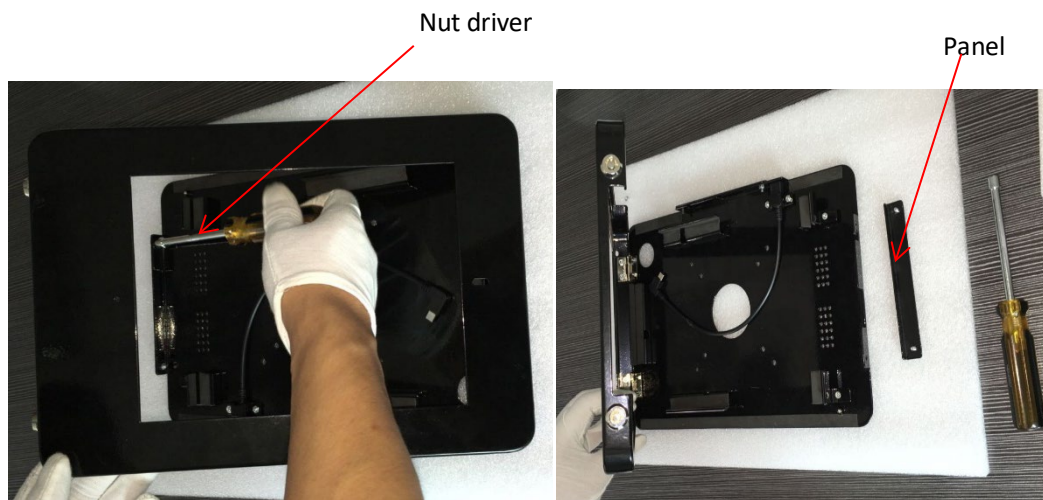
If using credit card reader Pass provided USB charging cable through the middle opening



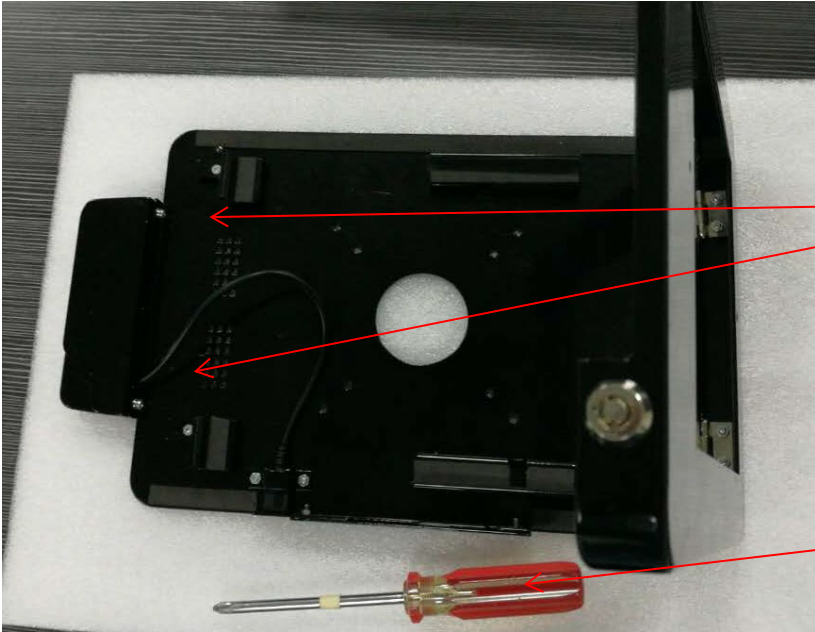
Step 5 iPad Enclosure Assembly

Step 5.1 installing credit card reader (skip if not using one)

Remove the panel .



Step 5.2 Connect provided usb cable from power supply to the credit card reader, Install the Credit card reader inside the Case.



Screw M3*8
2pcs

screw driver

Step 5.3 Put the iPad inside the enclosure, connect lightning extension cable to the iPad and credit card reader, close the front cover and lock it.

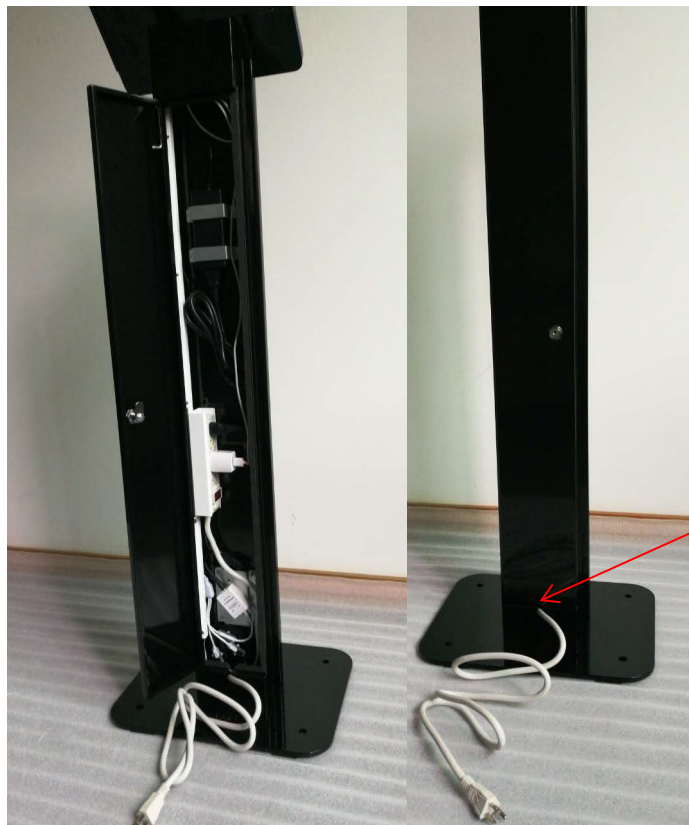


Lightening extension cable

Step 5 Put the iPad into the enclosure, connect power cable to the iPad (if not using credit card reader), close the front cover and lock it.



Step 6 Connect iPad Charger to the power strip, pass the power strip cable through the bottom opening, close the back door and lock it



Bottom opening