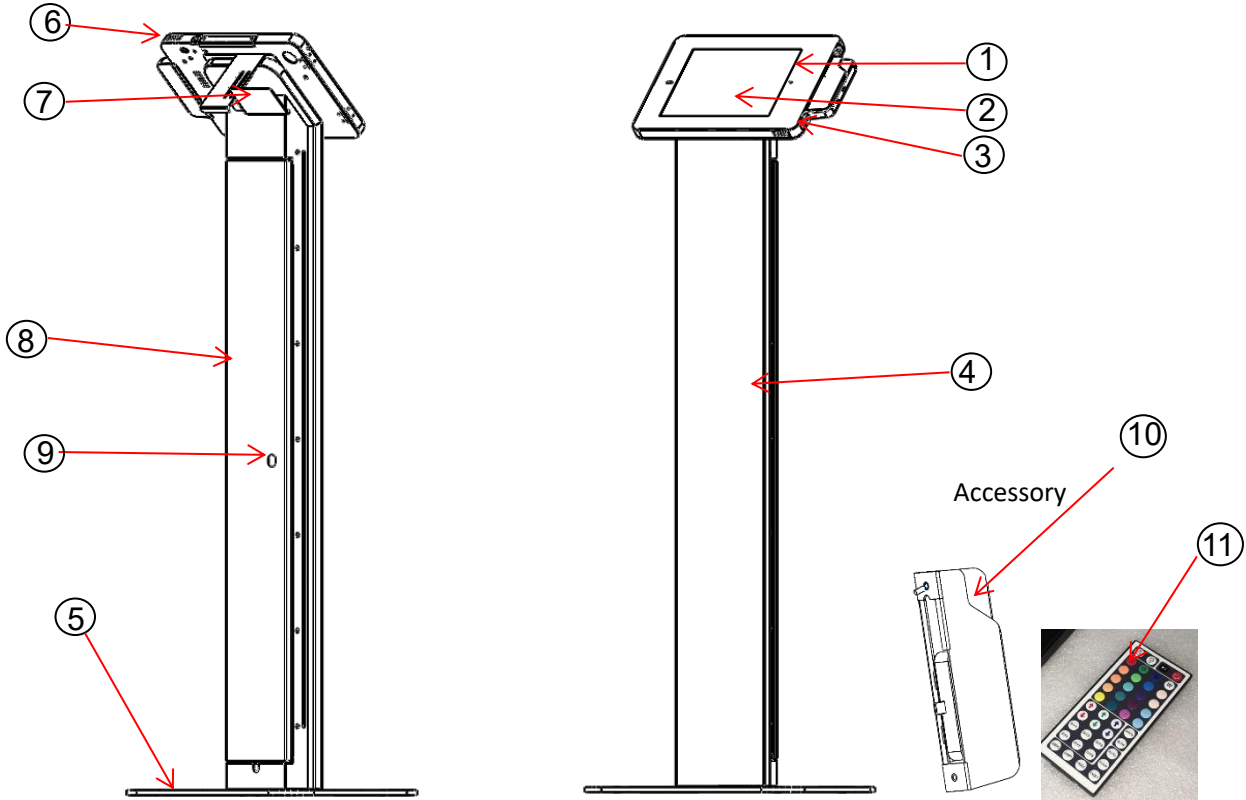


iK6 Kiosk Assembly Instruction

Product parts list



- ① iPad Enclosure ② iPad ③ Lock ④ Stand ⑤ Base ⑥ Micro usb port ⑦ Card Holder ⑧ Back Door ⑨ Lock
⑩ Credit card reader case ⑪ LED Remote Control

Step 1 Attach the Base to the stand

Screw M5*16
4PCS

screw driver

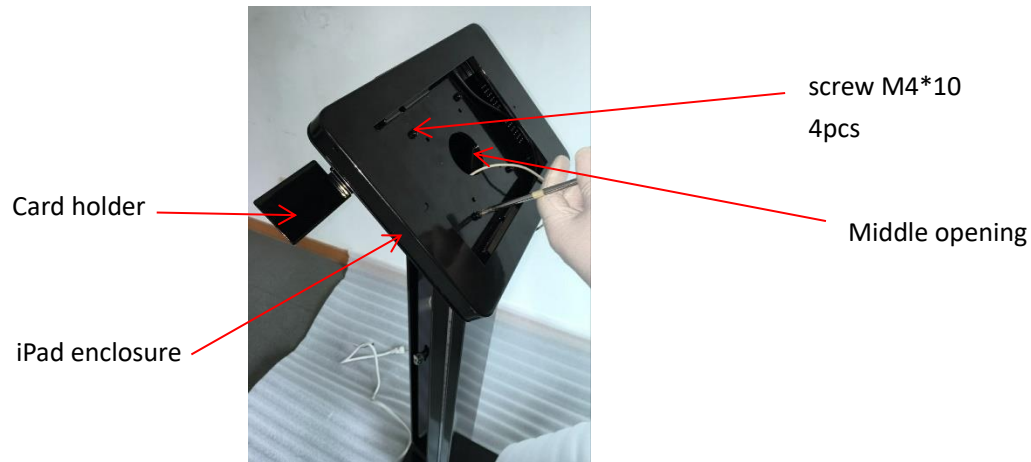


Step 2 Install the Rubber Pads to the Base



rubber
pads

Step 3 Attach the Card Holder and iPad Enclosure to the stand using 4 M4 screws



Step 4 Pass charging cable through the middle opening

Step 5 Put the iPad into the enclosure, connect power cable to the iPad, close the front cover and lock it.

Please refer to iK4 Assembly instruction for more details on installing the credit card reader.



Step 6 Connect iPad Charger to the power strip, pass the power strip cable through the bottom opening, close the back door and lock it



Bottom opening