



healthtec

Supporting you

EXAMINATION RANGE

1300 720 912

www.interaktivhealth.com.au

GP Universal Examination Table

Suitable for a wide range of specialties including general practice, natural therapies, massage, beauty treatments or any multi-function practice.

The minimum height of 450mm allows for easy access. Three section couch that complies with RACGP recommendations. The low minimum height allows for easy access for elderly or incapacitated patients. Each end section can be manually adjusted from flat to +70° ideal for clinics with limited space providing a backrest for left and right hand examinations and procedures.

The table can also be ordered with or without a nose hole for the face.



FEATURES

- Electric height adjustment with footswitch
- X-Frame lift action minimises pinch and crush points
- Durable powder coated rust resistant frame
- High quality anti-microbial vinyl & CFC free foam
- Australian designed & manufactured

SPECIFICATIONS

WIDTH	710mm
LENGTH	1930mm
FOAM	50mm
VINYL	PVC (tested to AS1530.3)
HEIGHT RANGE	450mm to 950mm
HEIGHT SPEED	Full height within 16 seconds
CONTROLLER	Footswitch
BASE	LynX X-Frame with lockable castors
LIFT CAPACITY	250kg (moving)
SAFE WORKING LOAD	400kg (stationary)
WARRANTY	5 year Electrical Lifetime Structural (parts only)

AVAILABLE ACCESSORIES



Procedure Arm



Gynae Leg Supports



Paper Towel Roll Holder



Nose Hole



The Healthtec Warranty

Healthtec offers a lifetime warranty on all our manufactured tables and a five year warranty on motors and foot switches from date of purchase. Original suppliers warranty applies.

ARTG 132667

© August 2018



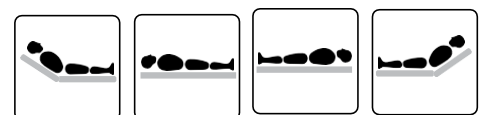
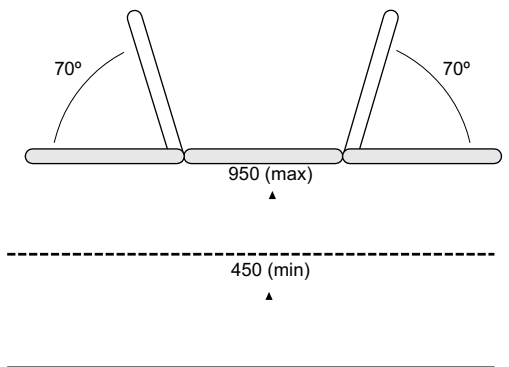
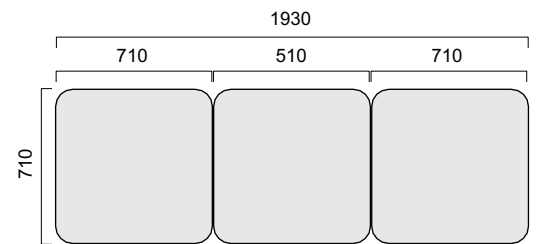


Supporting you

www.interaktivhealth.com.au

GP Universal Examination Table

	CODE	QTY
Product Description		
LynX GP Universal Examination Table (710 wide) – Three Section w/castors	53221T-7	
Width Options		
660mm Width Option	-65	
760mm Width Option	-75	
Custom Width Option	6014	
Foam & Vinyl Options		
75mm Comfort Foam	6005	
Non-Stock Vinyl Option	6018	
*please refer to our colour chart for vinyl colour options		
Nose Hole Options		
Nose Hole — Examination Backrest	6011	
Nose Hole Plug	6010	
Examination Options		
Procedure Arm	5102	
Gynae Leg Supports	5114	
Table Protection		
Paper Towel Roll Holder	6017	
Extended Warranty		
10 Year on Electrical	7800	
Freight		
Freight charges are not included in our prices. Please contact your Healthtec representative for freight costs and options.		
Shipping Dimensions	2050mm x 850mm x 650mm	
Shipping Weight	80kg (approximately)	



Distributed By:



FRECALL

1300 720 912

info@interaktivhealth.com.au



Healthtec Pty Ltd ABN 94 224 518 379 ARTG 132667
© August 2018

Disclaimer: Due to our policy of constant product improvement, specifications may change without notice. Check with us for the latest specifications and pricing.