



healthtec

Supporting you

SPECIALTY

1300 720 912

[www.intraktivhealth.com.au](http://www.intraktivhealth.com.au)

## Gynae Chair w/Trendelenburg

Designed with comfort in mind for both practitioner and patient.  
Suitable for Gynaecology & Urology examination & treatments.

The padded footrests replace the old fashioned stirrups providing additional comfort for the patient.

Standard features include electrically operated seat tilt as well as offering trendelenburg operation to -20°

The double lifting column utilises state of the art technology providing the greatest stability, comfort and portability.



### Features

Electric Height Adjustment with handswitch

Column lift eliminating crush points

Independently Lockable Castors

Durable powder coated rust resistant frame

High quality anti-microbial vinyl & CFC free foam

5 year warranty on frame & electrics

Australian designed & manufactured

### Specifications

300kg Maximum Lifting Capacity (moving)

400kg Maximum Working Load (stationary)

470mm Minimum Height

870mm Maximum Height

600mm Table Width (at widest point)

Manual backrest adjustment +70°

Electric Seat Lift +20°

Electric Trendelenburg -20°

Padded adjustable footrests

Removable cut out fill section



### The Healthtec Warranty

All Healthtec™ manufactured items are covered for defects in material or workmanship for 5 years from date of purchase. Original suppliers warranty applies.

TGA AR-00106892-6

© November 2013

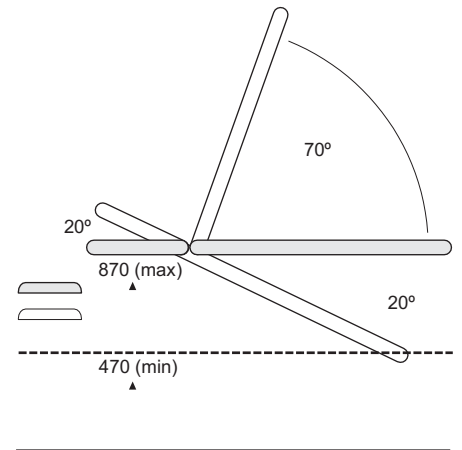
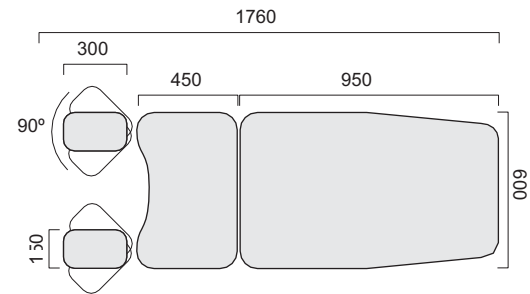


Supporting you

[www.interaktivhealth.com.au](http://www.interaktivhealth.com.au)

# Gynae Chair w/Trendelenburg

	CODE	QTY
<b>Product Description</b>		
Evolution2 Gynae Chair w/trendelenburg	55701	
<b>Width Options</b>		
710mm Width Option	-70	
770mm Width Option	-75	
Custom Width Option	6014	
<b>Vinyl Options</b>		
Non-Stock Vinyl Option	6018	
Leather Upgrade	6008	
*please refer to our colour chart for vinyl colour options		
<b>Nose Hole Options</b>		
Nose Hole	6011	
Nose Hole Plug	6010	
<b>Debris Options</b>		
Debris Tray - Gynae	5108-1	
<b>Arm Rest Options</b>		
Arm Rest—Drop Down	5112	
<b>Table Protection</b>		
Paper Towel Roll Holder	6017	
Disposable Fitted Bed Sheet – 10 pack	ANWFIT	
<b>Extended Warranty</b>		
10 years Frame & Electrics	7800	
<b>Freight</b>		
Freight charges are not included in our prices. Please contact your Healthtec representative for freight costs and options.		
Shipping Dimensions	2050mm x 850mm x 650mm	
Shipping Weight	80kg (approximately)	



\*when cut out fill section is fitted

Distributed by:

**Interaktiv Health**

FRECALL

**1300 720 912**

[info@interaktivhealth.com.au](mailto:info@interaktivhealth.com.au)

Healthtec Pty Ltd ABN 94 224 518 379 TGA AR-00106892-6  
© November 2013

Disclaimer: Due to our policy of constant product improvement, specifications may change without notice. Check with us for the latest specifications and pricing.