



SPECIALTY RANGE



Supporting you

1300 720 912

EVO Dialysis Chair with Memory

The perfect choice to use as a Day Surgery, Dialysis or Oncology Chair designed to maximise client comfort

Patients with end-stage renal disease spend many hours each week undergoing haemodialysis and ensuring that they are comfortable during treatment is a key priority.

Our specialised dialysis chairs, which are designed and manufactured in Australia, have been created with patient comfort in mind.

Key features include fully electric functions, lift away and removable arm rests, Trendelenburg tilt to create zero gravity and three position memory function allowing you to instantly pre-select the most used positions. The column lift eliminates total crush and pinch points so nothing can get trapped under the table.



Trendelenburg Movement.

FEATURES

- Trendelenburg movement
- Electric height adjustment with footswitch
- Column lift eliminating crush points
- Independently lockable castors
- Durable powder coated rust resistant frame
- High quality anti-microbial vinyl & CFC free foam
- Australian designed & manufactured

SPECIFICATIONS

WIDTH	660mm
LENGTH	1840mm (1940mm when footrest extension fully extended)
FOAM	75mm Comfort Foam
VINYL	PVC (tested to AS1530.3)
HEIGHT RANGE	470mm to 870mm
HEIGHT SPEED	Full height within 28 seconds
BACKREST SPEED	Flat to +70° within 10 seconds.
LIFT CAPACITY	350kg (moving)
SAFE WORKING LOAD	400kg (stationary)
BASE	EVO Column base with castors
CONTROLLER	Footswitch
WARRANTY	5 year Electrical Lifetime Structural (parts only)



The Healthtec Warranty

Healthtec offers a lifetime warranty on all our manufactured tables and a five year warranty on motors and foot switches from date of purchase. Original suppliers warranty applies.

ARTG132668

© August 2018



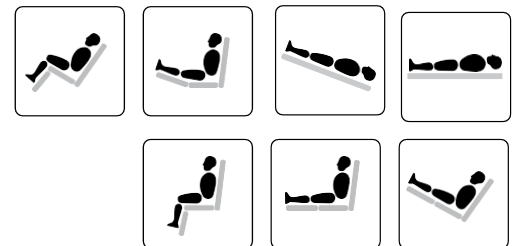
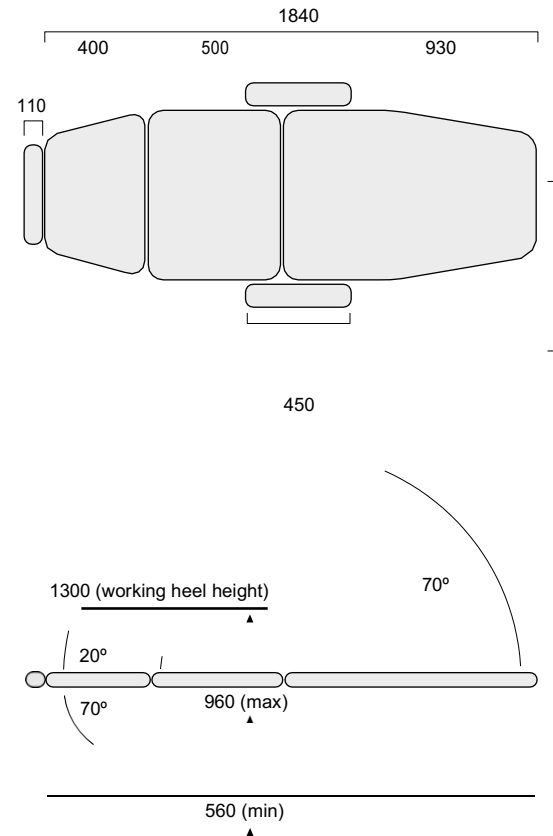


Supporting you

1300 720 912

EVO Dialysis Chair with Memory

Product Description	CODE	QTY
EVO (Column) Dialysis Chair with Memory. Electric Back, Electric Seat & Manual Footrest	55371	
EVO (Column) Dialysis Chair with Memory—All electric	55381	
Width & Length Options		
Custom Width Option	6014	
Custom Length Option	6019	
Vinyl Options		
Non-Stock Vinyl Option	6018	
*please refer to our colour chart for vinyl colour options		
Nose Hole Options		
Nose Hole	6011	
Nose Hole Plug	6010	
Leg Rest Options		
Split Leg Support	6042	
Table Protection		
Paper Towel Roll Holder	6017	
Extended Warranty		
10 Year on Electrical	7800	
Freight		
Freight charges are not included in our prices. Please contact your Interaktiv Health representative for freight costs and options.		
Shipping Dimensions	2050mm x 850mm x 650mm	
Shipping Weight	80kg (approximately)	



FRECALL
1300 720 912
info@interaktivhealth.com.au



Whiteley Diagnostic Pty Ltd
T/as INTERAKTIV HEALTH
Unit 17/5 Vuko Place
Warriewood NSW 2101
1300 720 912
0411 602 000

Disclaimer: Due to our policy of constant product improvement, specifications may change without notice. Check with us for the latest specifications and pricing.