

Cardiology Table

with Electric Back Rest

Designed with special Cut-Out for cardiac examination to allow the operator to get the patient perfectly positioned for 'Echo' style transducer techniques.

This section table is standard with an electrically operated Back Rest that can be adjusted from flat to +70° enabling a comfortable seated or semi-reclined position for the patient and fill section to allow the table to be a full examination table when required.



Dual Cut-Out Model Shown
Single Cut-Out Models are also available in the standard product range
See next pages for full details and options



Shown with Non-Stock Vinyl Option

FEATURES

- Drop Down Fill Section
- Electric Height Adjustment with Foot-Switch
- X-Frame Lift Action Minimizes Pinch and Crush Points
- Heavy Duty Individually Lockable Castors
- Durable Powder Coated Rust Resistant Steel Frame
- High Quality Anti-microbial Vinyl & CFC Free Foam
- Australian Designed & Manufactured

SPECIFICATIONS

WIDTH	710mm
LENGTH	1840mm
FOAM	50mm
VINYL	PVC (Tested to AS1530.3)
HEIGHT RANGE	450mm to 950mm (Standard LynX Base Configuration)
HEIGHT SPEED	Full Height within 16 Seconds
BACKREST SPEED	Flat to +70° within 8 Seconds
LIFT CAPACITY	250kg (Moving)
SAFE WORKING LOAD	400kg (Stationary)
BASE	LynX X-Frame with Lockable Castors
CONTROLLER	Foot-Switch
WARRANTY	5 Year Electrical – 3 Year Upholstery – Lifetime Structural (Parts Only)

PRODUCT FEATURES



Quick Release Latch for Cut-Outs



Durable Hinge Mechanism for Cut-Outs



Magnetic Catch for Cut-Outs



Warranty

Lifetime warranty on all our manufactured tables and a five year warranty on motors and foot switches from date of purchase. Original suppliers warranty applies.

ARTG 132667

© August 2021



SPECIFICATIONS

www.interaktivhealth.com.au

Cardiology Table with Electric BackRest

Product Description	CODE
LynX Cardiology Table (710 wide) - w/Electric BackRest, Dual Cut-Out/Fill-Section & Castors	53621T-7-EB-M
LynX Cardiology Table (710 wide) - w/Electric BackRest, Single Hinged Cut-Out (Body Section) & Castors	53621T-7-EB-M1
LynX Cardiology Table (710 wide) - w/Electric BackRest, Single Hinged Cut-Out (BackRest Section) & Castors	53621T-7-EB-M2
LynX Cardiology Table (760 wide) - w/Electric BackRest, Dual Cut-Out/Fill-Section & Castors	53621T-75-EB-M
LynX Cardiology Table (760 wide) - w/Electric BackRest, Single Hinged Cut-Out (Body Section) & Castors	53621T-75-EB-M1
LynX Cardiology Table (760 wide) - w/Electric BackRest, Single Hinged Cut-Out (BackRest Section) & Castors	53621T-75-EB-M2
Foam & Vinyl Options	
75mm Comfort Foam	6005
Non-Stock Vinyl Option	6018
*please refer to our Colour Chart for Vinyl Colour Options	
FootSwitch Options	
Additional FootSwitch (2 Function)	A2652
Castor Options	
Central Locking Castors	6037
Hoist Access Clearance (150mm Clearance, adding 110mm to Minimum and Maximum Heights in Diagrams on page 3)	6028
Table Protection	
Paper Towel - Roll Holder	6017
Freight	
Please contact your Healthtec Representative for Freight Costs and Options.	
Shipping Dimensions	2050mm x 850mm x 650mm
Shipping Weight	80kg (Approximately)



LynX Base configured for Hoist Access

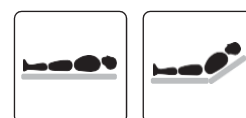
Distributed by:
1300 720 912
info@interaktivhealth.com.au



Whiteley Diagnostic Pty Ltd ABN 27 158 105 849 ARTG 132667

© August 2021

Disclaimer: Due to our policy of constant product improvement, specifications may change without notice. Check with us for the latest specifications and pricing.



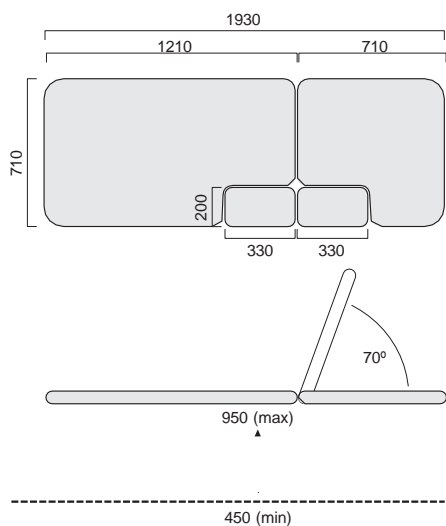
Range Of Movement (ROM) Diagrams for all Cut-Out Versions in the Full Range are on Page 3

SPECIFICATIONS

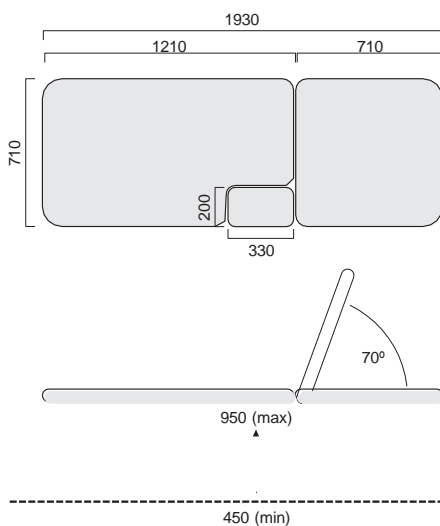
www.interaktivhealth.com.au

Cardiology Table with Electric BackRest

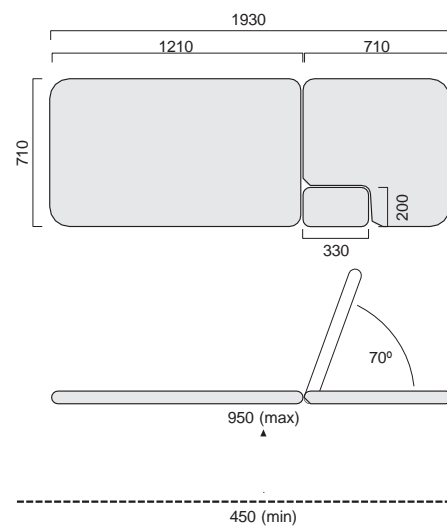
Cut-Out Versions in the Full Range



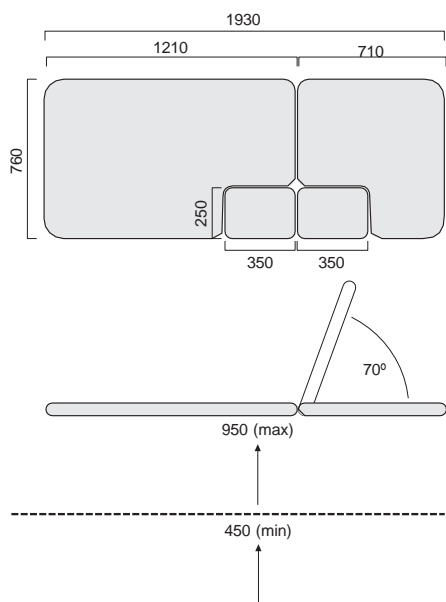
53621-7-EB-M



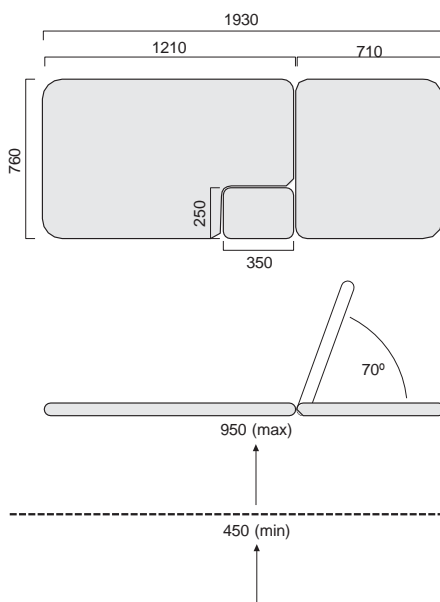
53621-7-EB-M1



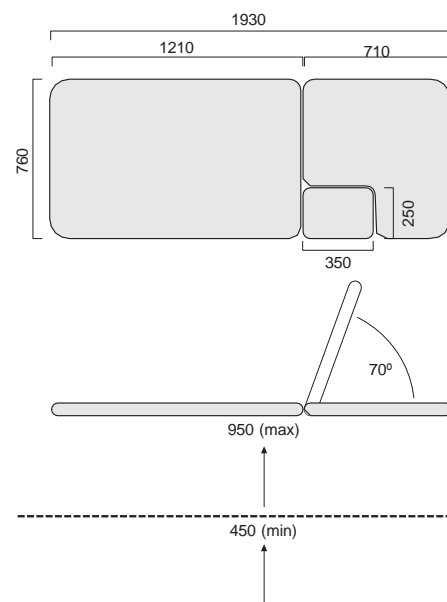
53621-7-EB-M2



53621-75-EB-M



53621-75-EB-M1



53621-75-EB-M2

Distributed by:

1300 720 912

info@interaktivhealth.com.au



Whiteley Diagnostic Pty Ltd ABN 27 158 105 849 ARTG 132667

© July 2021

Disclaimer: Due to our policy of constant product improvement, specifications may change without notice.

Check with us for the latest specifications and pricing.