

24" SIGNATURE SERIES WINE RESERVE

HP24WS-3 24" INDOOR MODEL
HP24WO-3 24" OUTDOOR MODEL



Glass Door Model



Solid Door Model

GENERAL SIGNATURE SERIES FEATURES



- **Industry Exclusive** front-vented RAPIDcool forced-air refrigeration system provides best-in-class cooling performance
- Powerful yet efficient 995 BTU variable-speed compressor ramps up to quickly bring down temperature of room temperature product
- Commercial-grade stainless steel interior and exterior
- All models available with stainless steel or panel ready door. Panel ready doors come ready to accept customer-supplied overlay and handle
- **Industry Exclusive** full extension wine shelves provide easy access for stocking and retrieving product. Shelves glide smoothly in and out of cabinet on stainless steel ball bearing glides
- Zero-clearance hinging allows for abutment with surrounding cabinetry
- Adjustable Crisp White and Cool Blue LED lighting
- Low E, double pane UV-resistant glass provides exceptional insulation and protection from light
- State-of-the-art digital control module
- Comprehensive Full Three Year Warranty plus additional three years on sealed system

HP24WS/WO FEATURES

- Available with stainless steel solid door, panel ready solid door, stainless steel glass door or panel ready glass door
- Includes five (5) full-extension wine shelves
- Wine shelves feature stainless steel fronts
- Shelves are soft-coat vinyl dipped to gently cradle bottles and protect them from vibration transfer
- Product capacity is 40 wine bottles (750 ml.) with room below for an additional five (5) bottles
- Wine Reserve temperature 45°- 65°F

ACCESSORIES

(L)	Factory Installed Lock
67991-L/R	Stacking Kit for HP24/HC24/HA24 models
66736	Caster Kit for HP24/HC24/HA24 models
67115-24	Wood Faces for Wine Shelves (7/pk)

Perlick accessories are available for purchase through an authorized Perlick dealer. For a full list of accessories and to find a dealer near you, visit perlick.com/residential

PRODUCT SPECIFICATIONS

Product Width	23-7/8" (606 mm.)
Product Height	34-1/4" (870 mm.)
Product Depth	24" (610 mm.)
Opening Width	24" (610 mm.)
Opening Height	34-1/2" (876 mm.)
Opening Depth**	24-7/8" (632 mm.)
Refrigerated Volume	5.2 cu. ft.
Door Swing Clearance	25" (635 mm.) minimum
Electrical	115V, 60Hz., 1 Phase, 2.3 amps
Compressor	995 BTU, variable-speed
Plumbing	None Required
Annual Energy Usage	N/A
Shipping Weight	222 lbs (100.7 kg.)

** Includes 7/8" plug clearance. To achieve 24" depth, you must recess the plug into the wall directly behind the unit.

INDOOR MODELS

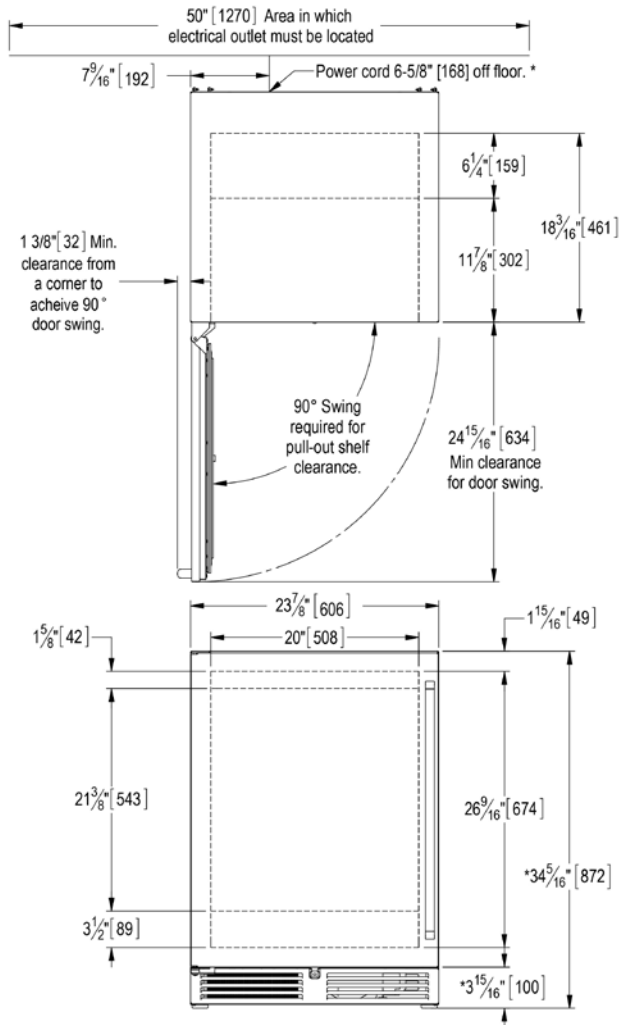
HP24WS-3-1L*	Stainless steel solid door, hinge left
HP24WS-3-2L*†	Panel ready solid door, hinge left
HP24WS-3-3L*	Stainless steel glass door, hinge left
HP24WS-3-4L*†	Panel ready glass door, hinge left

OUTDOOR MODELS

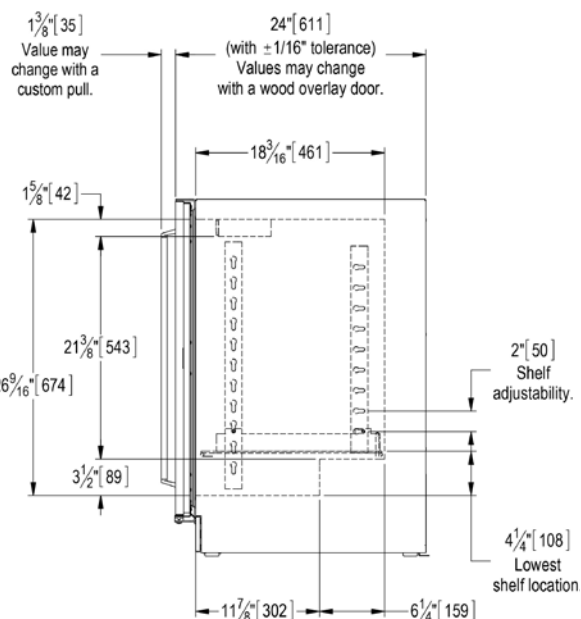
HP24WO-3-1L*	Stainless steel solid door, hinge left
HP24WO-3-2L*†	Panel ready solid door, hinge left
HP24WO-3-3L*	Stainless steel glass door, hinge left
HP24WO-3-4L*†	Panel ready glass door, hinge left

* Also available hinge right (R)

† This unit comes ready to accept customer-provided overlay panel and handle



* - Leg levelers can add 3/4" [19] to these dimensions when fully extended.



California Prop 65 Notice:

WARNING: The materials used in this product may contain chemicals known to the State of California to cause cancer and birth defects or other reproductive harm. For more information go to www.P65Warnings.ca.gov.

FORM NO. Z2537
REV. A-09/07/2018