


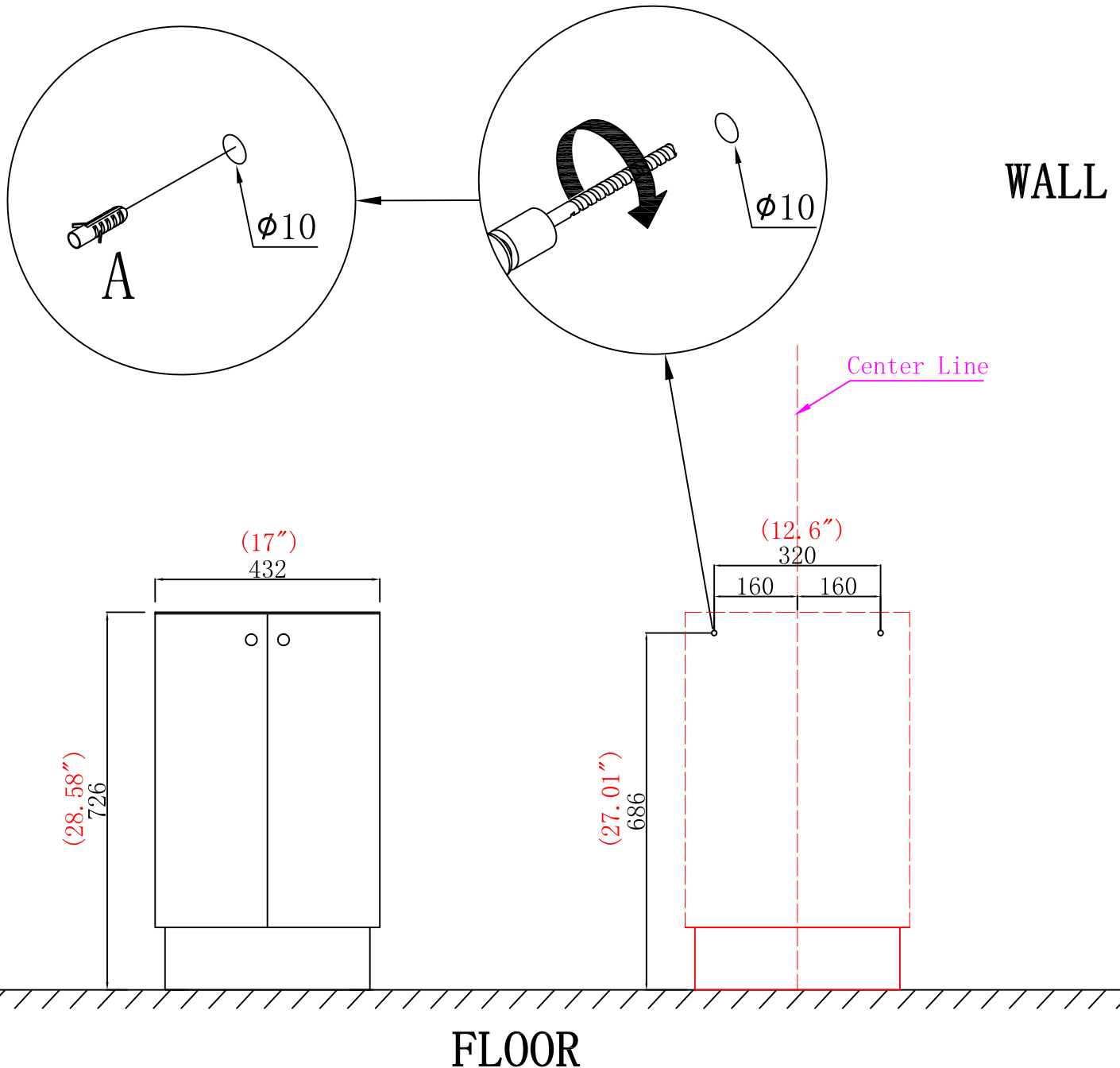
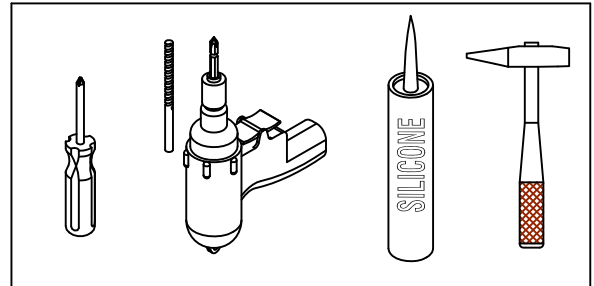


Item No. :GW18

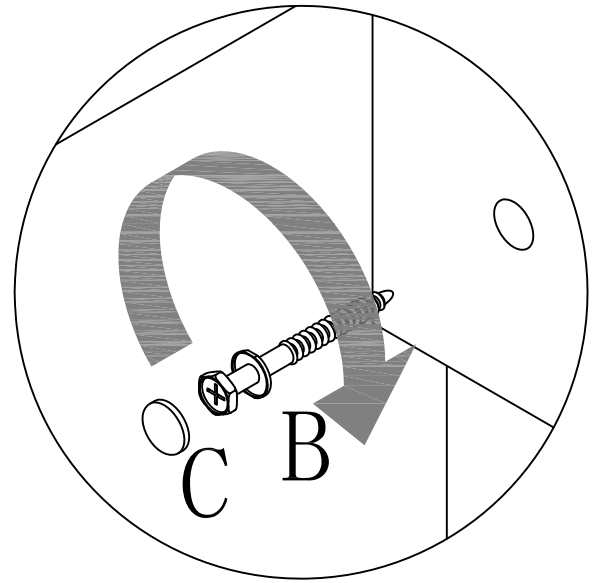
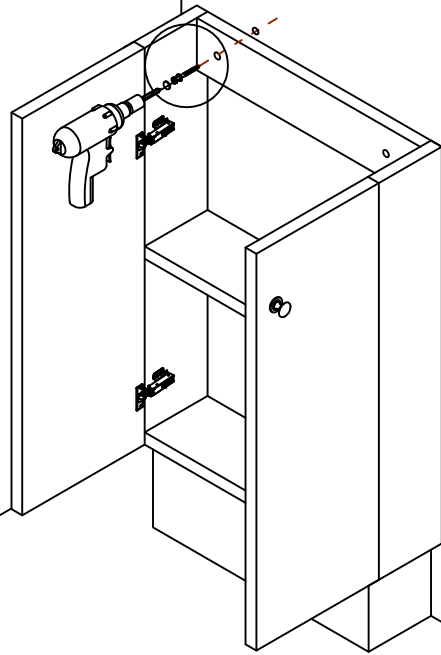
Hardware

NO.	Draw	QTY
A		2
B		2
C		2

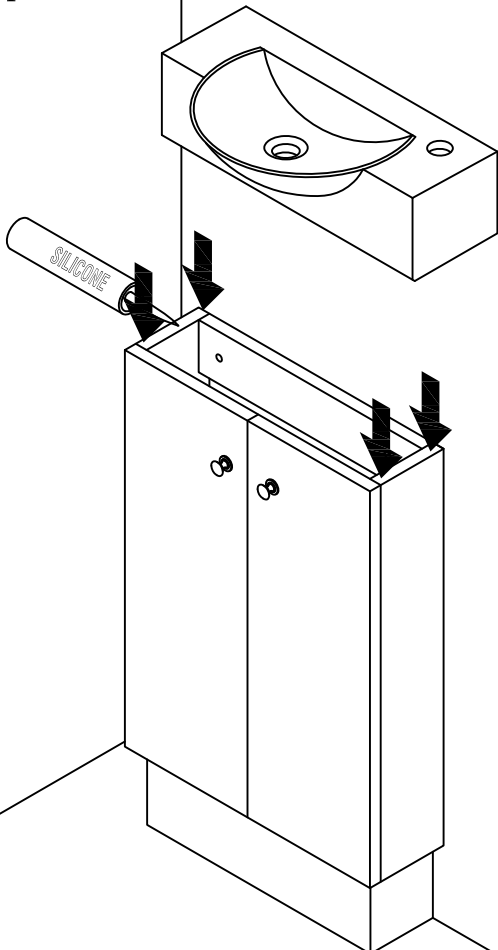
Tools



Step 1



Step 2



Finished

