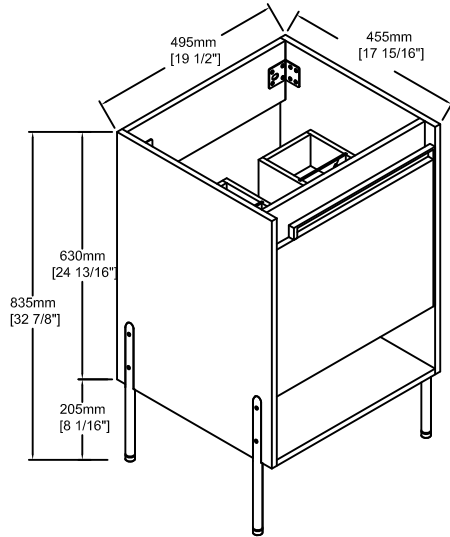
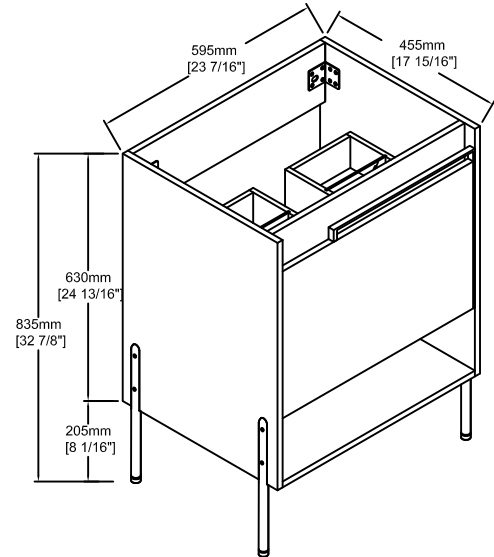




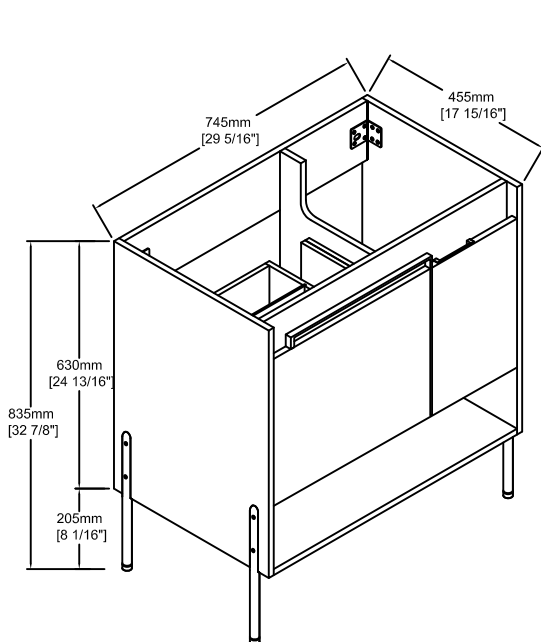
BLOSSOM[®]
luxury made simple



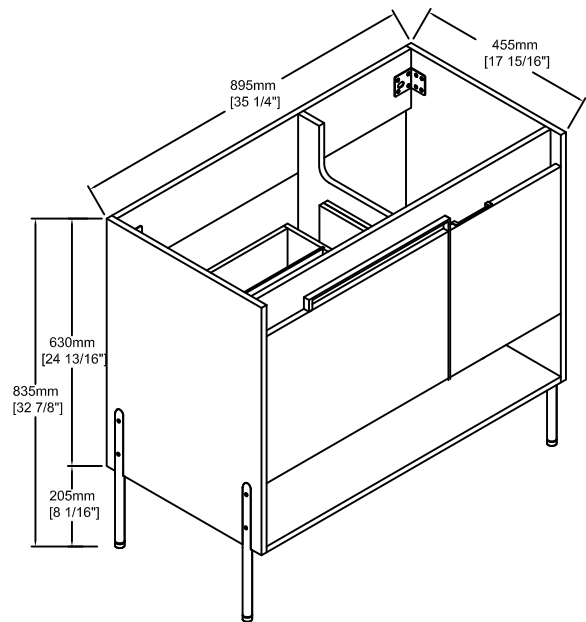
V8031 20



V8031 24



V8031 30



V8031 36

TURIN
Series Vanities

Specification & Installation Guide

Features

- Modern design with matte white or melamine finishes.
- Soft-closing doors .
- Compatible ceramic basins or artificial stone basins.
- Compatible matching mirror, medicine cabinet or LED mirror, medicine cabinet.
- Easy installation

Package Dimension

20" 22-7/16" x 20-7/8" x 27-3/4"

24" 26-3/8" x 20-7/8" x 27-3/4"

30" 32-5/16" x 20-7/8" x 27-3/4"

36" 38-3/16" x 20-7/8" x 27-3/4"

Colors / Finishes

MATT WHITE - 01

CLASSIC OAK - 29

CALI WALNUT - 30

PLAIN CEMENT - 32

Gross Weight

20" 47 LBS

24" 52 LBS

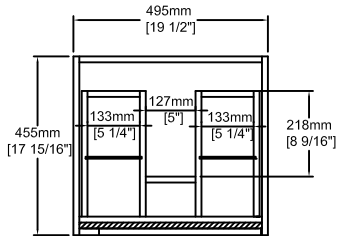
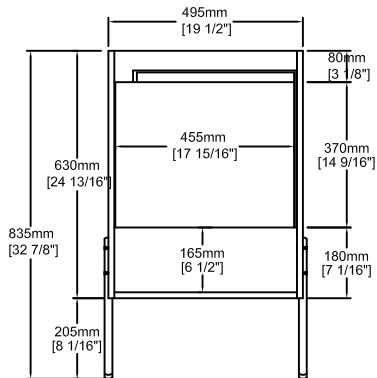
30" 66 LBS

36" 68 LBS

Sink Top Options

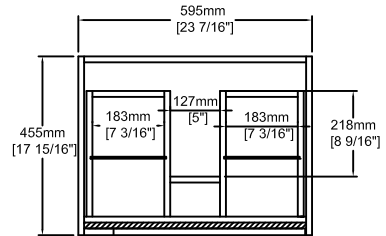
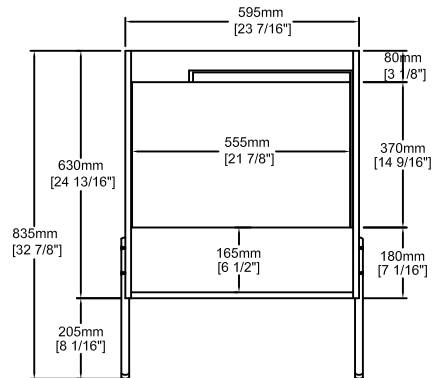
	Vanities	Ceramic basin	Artificial stone basin
20"	V8031 - 20	C04 2018	A10 2018 25
24"	V8031 - 24	C04 2418	A10 2418 25
30"	V8031 - 30	C04 3018	A10 3018 25
36"	V8031 - 36	C04 3618	A10 3618 25

20" 19-1/2"x 17-15/16"x 32-7/8"



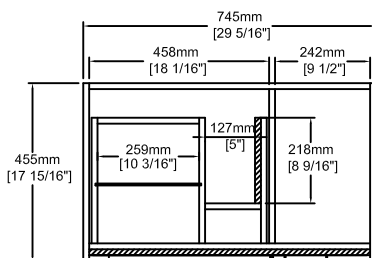
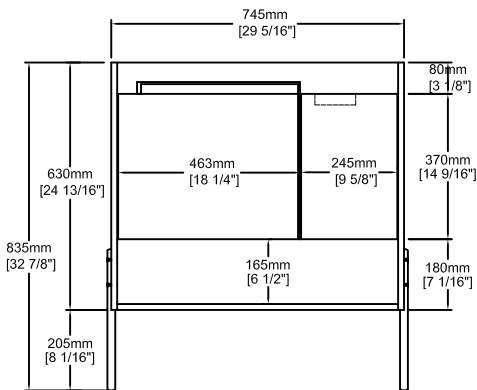
TOP VIEW

24" 23-7/16"x 17-15/16"x 32-7/8"



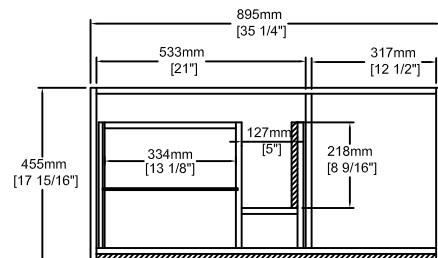
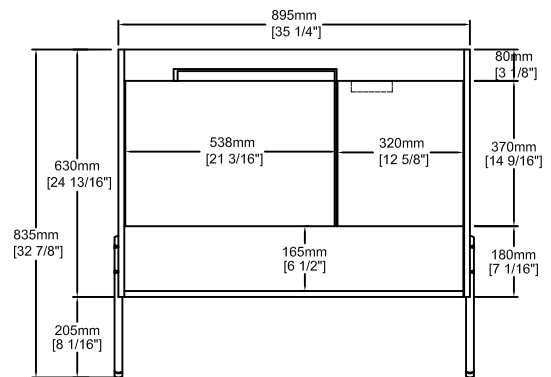
TOP VIEW

30" 29-5/16"x 17-15/16" x 32-7/8"



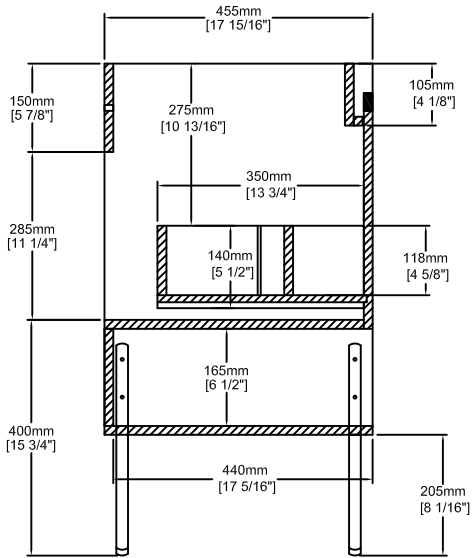
TOP VIEW

36" 35-1/4"x 17-15/16"x 32-7/8"



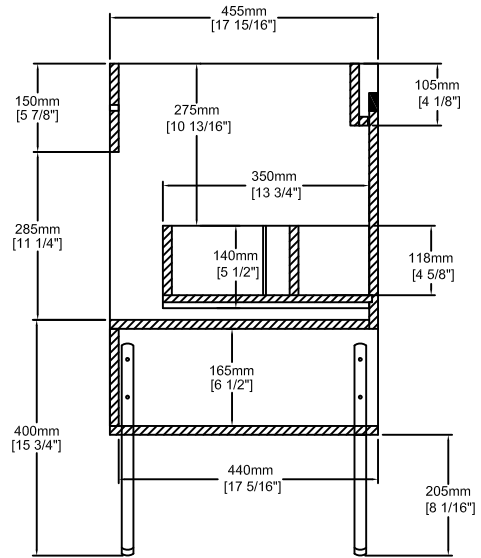
TOP VIEW

20" 19-1/2"x 17-15/16"x 32-7/8"



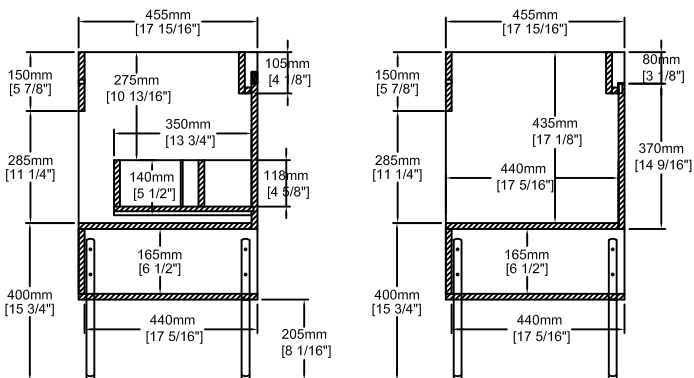
SECTION VIEW

24" 23-7/16"x 17-15/16"x 32-7/8"



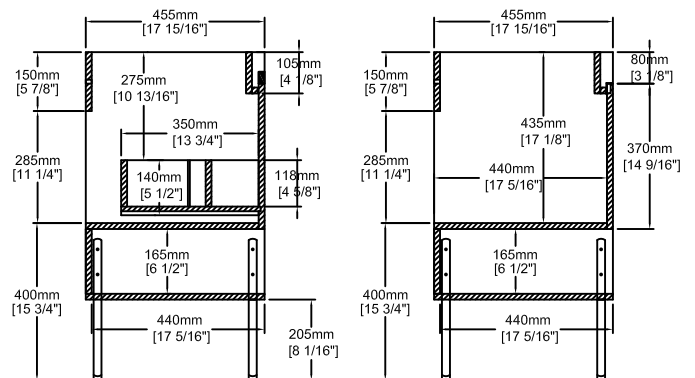
SECTION VIEW

30" 29-5/16"x 17-15/16" x 32-7/8"


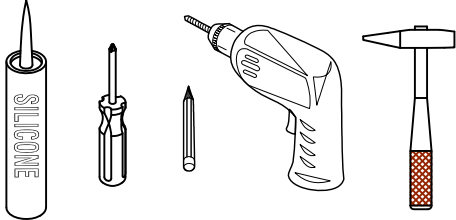

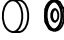




SECTION VIEW

36" 35-1/4"x 17-15/16"x 32-7/8"



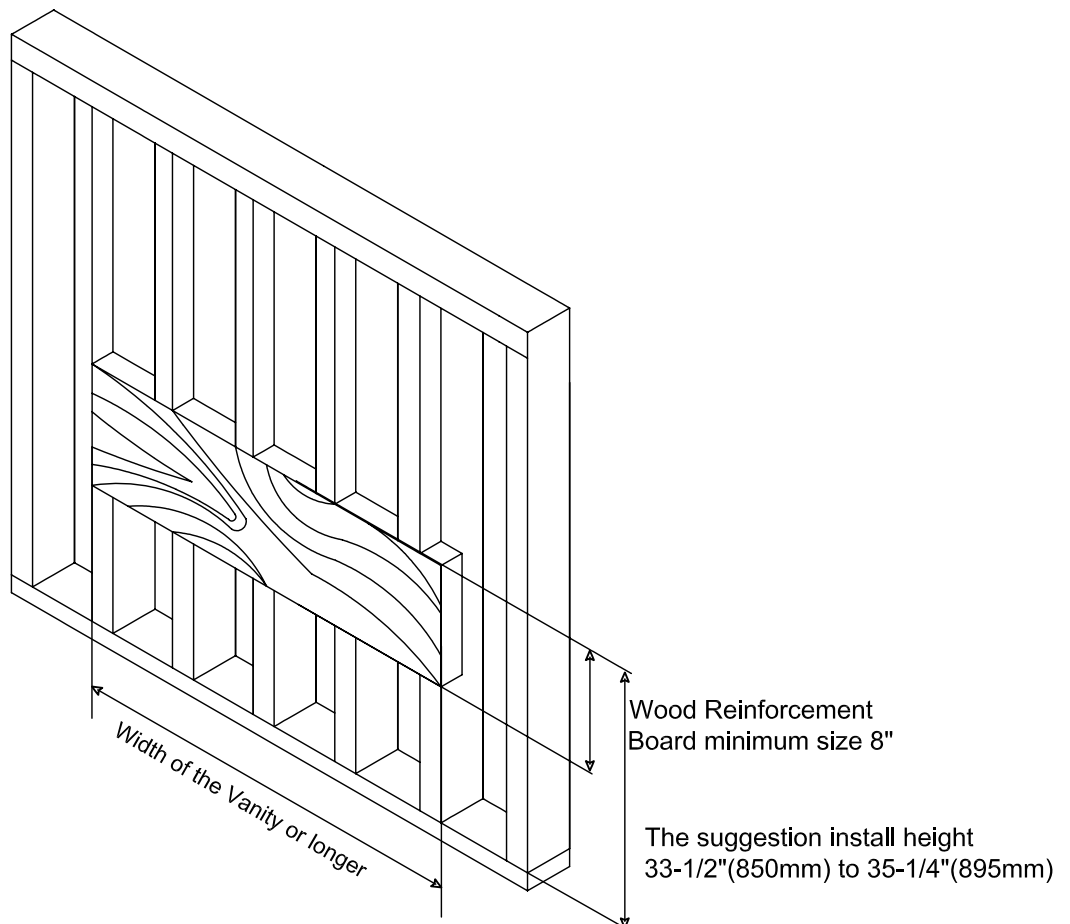
SECTION VIEW

Hardware				Tools (not includes)
NO.		Draw	QTY	
A	White rubber plug(Ø6mm)		2	
B	Screws(Ø4 x 68mm)		2	
C	Stainless steel cover		2	
D	Metal feet		4	
E	Metal foot screw(M4x16mm)		8	

Wall blocking is required for all installation

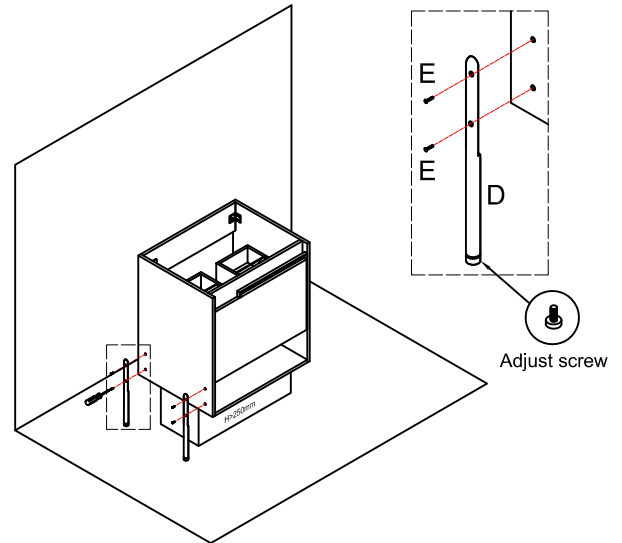
The suggested heights without the sink are 30-5/8" for Blossom Resin Basin, or 32-5/8" for Blossom Ceramic Basin.

Depending on the sinks selected, the total height will vary from 33-1/2"(850mm) to 35-1/4"(895mm). If an alternate height desired, adjust the rough-in and backing material heights using the dimensions provided.



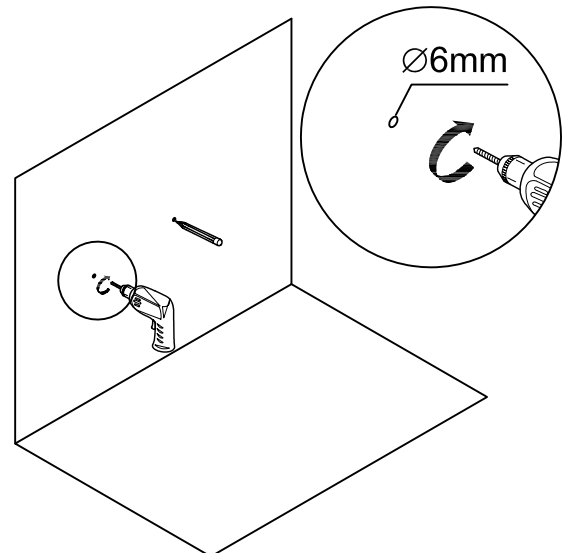
STEP 1

- Place the bathroom cabinet on the floor higher than 250mm.
- Use metal feet screw E to align metal feet D with the hole.
- On the other side, also use metal feet screw E to align the metal feet D with the hole.
- The adjusting screw at the bottom of the metal foot can be raised 0-9/16"(0-15mm).



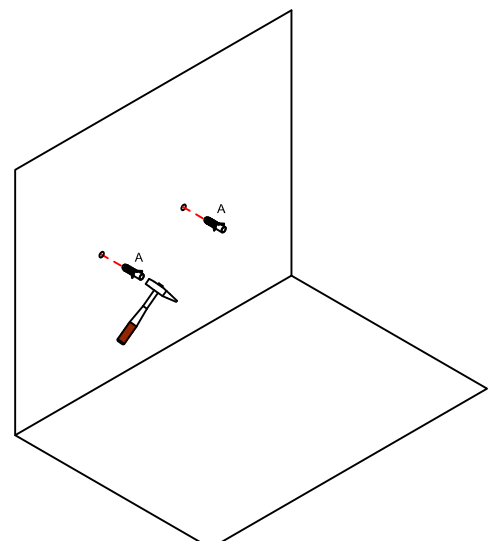
STEP 2

- Mark the pre-drilled holes with a pencil or marker after positioning the vanity.
- Drill the holes with suitable drill-bits base on different condition of the wall.



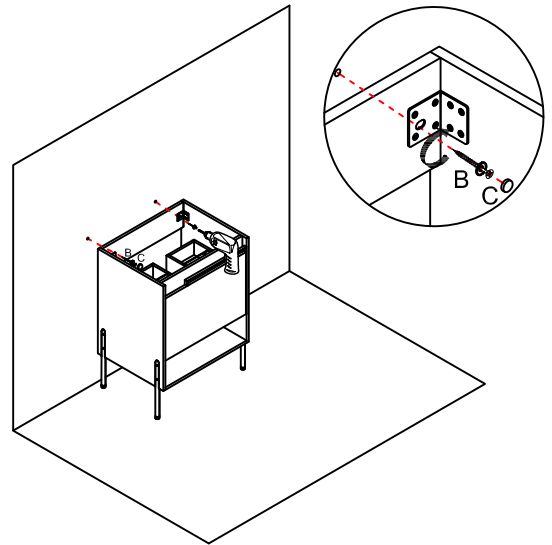
STEP 3

- White rubber plug for brick wall or concrete wall.



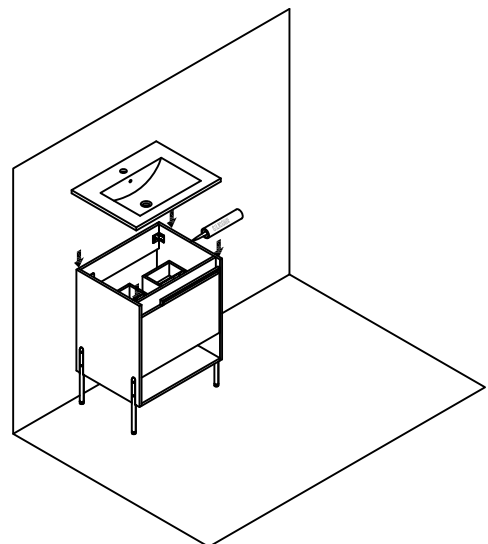
STEP 4

- Fix the cabinet to the wall with screw B and cover it with a stainless steel lid C.



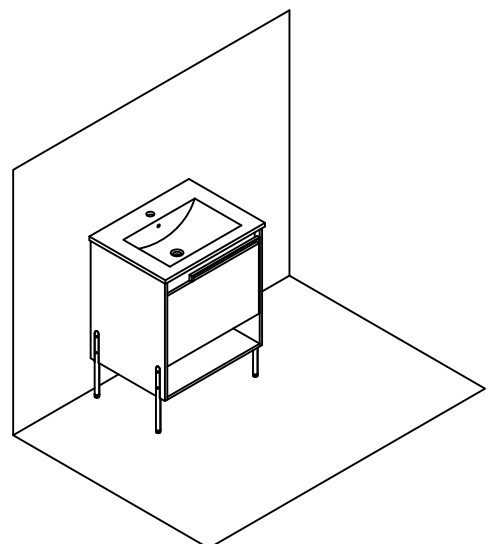
STEP 5

- Install the basin with silicone.



STEP 6

- Installation complete.





Blossom Kitchen & Bath Supply Corporation
(718)-366-0088 | sales@BlossomUS.com | www.BlossomUS.com

For clarification, please contact us at (718)-366-0088 or sales@BlossomUS.com
All dimensions are approximate and subject to standard tolerance. Specifications subject to change without prior notice.