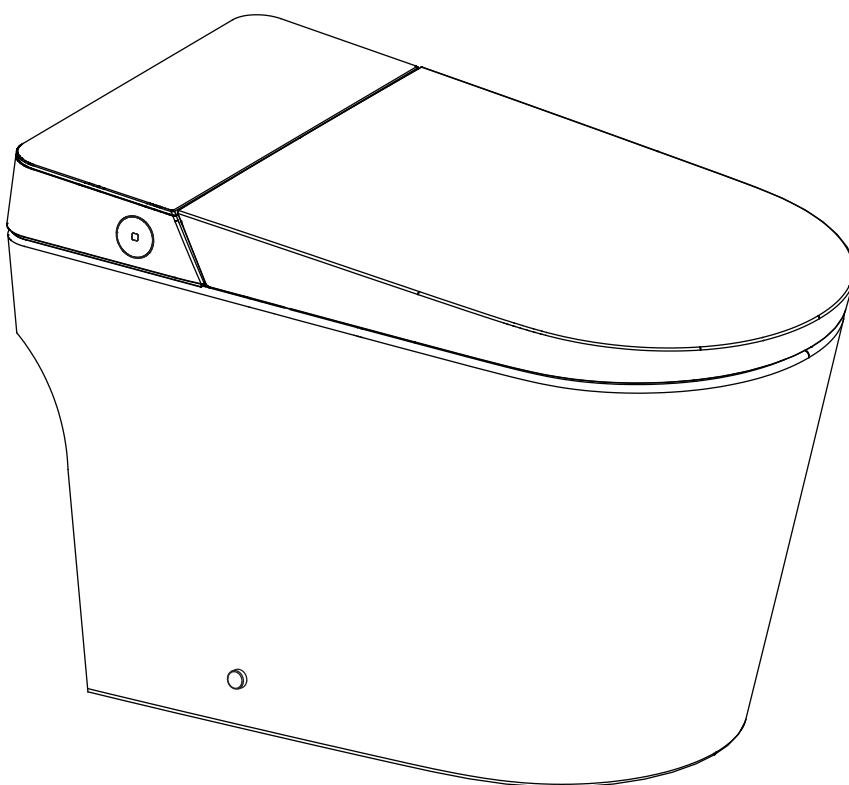


INSTALLATION INSTRUCTIONS

SMART TOILET



Installation Manual: (Pages 01 - 11)

Toilet User Manual: (Pages 12 - 21)

Remote Control User Manual: (Pages 22 - 27)

MODEL# ST4W



READ ALL INSTRUCTIONS BEFORE USING

IMPORTANT SAFEGUARDS

When using electrical products, especially when children are present, basic safety precautions should always be followed, including the following:

1. The appliance is not to be used by persons (including children) with reduced physical, sensory or mental capabilities, or lack of experience and knowledge, unless they have been given supervision or instruction.
2. Children being supervised not to play with the appliance.
3. This appliance can be used by children aged from 8 years and above and persons with reduced physical, sensory or mental capabilities or lack of experience and knowledge if they have been given supervision or instruction concerning use of the appliance in a safe way and understand the hazards involved.
4. Children should not play with the appliance.
5. Cleaning and user maintenance should not be made by children without supervision.



DANGER

TO REDUCE THE RISK OF ELECTROCUTION

1. Do not use while bathing.
2. Do not place or store product where it can fall or be pulled into a tub or sink.
3. Do not place in or drop into water or other liquid.
4. Do not reach for a product that has fallen into water. Unplug immediately.
5. Do not wash the main unit or electrical plug with water or detergent.
6. Do not handle the electrical plug with wet hands.
7. Do not put hands or other material over the outlet of air dryer or block the outlet of air dryer.
8. Never disassemble, repair or modify this product.
9. During installation, disassembly, repair and maintenance of the product, the power plug must be switched off and water supply must be shut off.



WARNING

TO REDUCE THE RISK OF BURNS, ELECTROCUTION, FIRE, OR INJURY TO PERSONS.

1. Close supervision is necessary when this product is used by, on, or near children or invalids.
2. Use this product only for its intended use as described in this manual. Do not use attachments not recommended by the manufacturer.
3. Never operate this product if it has a damaged cord or plug, if it is not working properly, if it has been dropped or damaged, or dropped into water. Return the product to a service center for examination and repair.
4. Keep the cord away from heated surfaces.
5. Never use while sleeping or drowsy.
6. Never drop or insert any object into any opening or hose.
7. Do not use outdoors or operate where aerosol (spray) products are being used or where oxygen is being administered.
8. Connect this product to a properly grounded outlet only. See Grounding Instructions.
9. Do not throw cigarettes or other burning materials into toilet, this may cause a fire.
10. This product is an electric appliance, so it must be placed far away from water. Please do not soak any product in urine or any other liquid.
11. Do not lay on side or upside down while electrical circuit is active.
12. It is prohibited to use other electric appliances in the same socket.
13. It is prohibited to use the power extension cable or use an unstable or loose outlet.
14. Installation of the bidet seat should include specified components and new water supply hose. Please DO NOT use previous or aging water supply hose as that could cause possible leakage.

IMPORTANT SAFETY INSTRUCTIONS



CAUTION

INDICATES THAT FAILURE TO FOLLOW THE INSTRUCTION MAY CAUSE BODY INJURY OR PROPERTY DAMAGE.

1. Do not install or use the product in wet places such as a steam room, etc.
2. It is recommended to use a water-proof electrical outlet, which should be installed in a dry and safe place where it is not easy to get wet.
3. This product should be used with 110V-120V,50/60Hz electrical current only,load current is at least 15A. Power plug must be equipped with ground fault circuit interrupter or ground fault electrical leakage protector or similar high sensitive, rapid type leakage switch (Rated sensitive current under 6mA).
4. When it thunders,it is strongly recommended to pull out the power plug.
5. Do not stand on ceramic toilet.
6. Floor fixing bolts must be installed with this product.
7. Do not stand on product unit,seat or cover.
8. Do not lean against the seat cover when using the product,to avoid damage.
9. This product is equipped with soft-closing seal cover.Heavy pressing or pushing may damage the soft-closing damper.
10. Do not use lacquer thinner,petrol,liquid medicine,detergent,insecticide,toilet cleanser and scrubbing brush to clean the product.
11. Exposure to direct sunlight is prohibited.
12. Only use tap water or potable water;otherwise it may cause chafing.
13. Do not connect water supply to heater outlet.Make sure inlet water temperature at 3~35 °C / 37.4~95 °F.
14. If the room temperature is lower than 0 °C, please drain out the water in the pipeline or cistern to prevent the product from frost cracking.
15. To prevent damage due to freezing, keep room temperature above 12.8 °C/ 55 °F.
16. When moving the product from a cold ow wet environment into normal room temperature, wait until all condensation has evaporated. Doing so can prevent any electrical short circuit.
17. When not using the product over three(3) days,drain the water out of the container and pull the electrical plug from the wall outlet.
18. Stop using the product and shut off the power when product malfunctions, please contact service professionals for service.

GROUNDING INSTRUCTIONS

This product should be grounded. In the event of an electrical short circuit, grounding reduces the risk of electric shock by providing an escape wire for the electric current. This product is equipped with a cord having a grounding wire with a grounding plug. The plug must be plugged into an outlet that is properly installed and grounded.



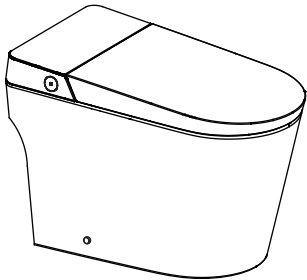
DANGER

IMPROPER USE OF THE GROUNDING PLUG CAN RESULT IN A RISK OF ELECTRIC SHOCK.

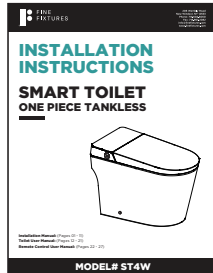
If repair or replacement of the cord or plug is necessary, do not connect the grounding wire to either flat blade terminal. The wire with insulation having an outer surface that is green with or without yellow stripes is the grounding wire. This product is factory equipped with a specific electric cord and plug to permit connection to a proper electric circuit. Make sure that the product is connected to an outlet having the same configuration as the plug. No adapter should be used with this product. Do not modify the plug provided — if it will not fit the outlet, have the proper outlet installed by a qualified electrician. If the product must be reconnected for use on a different type of electric circuit, the reconnection should be made by qualified service personnel.

SAVE THESE INSTRUCTIONS

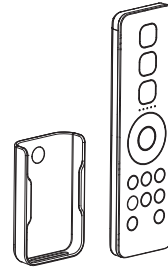
COMPONENTS LIST



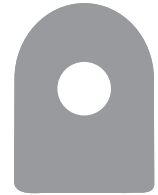
Main Unit



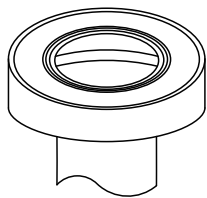
Installation Manual



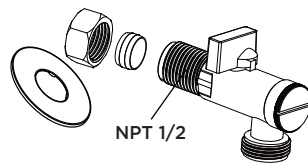
Remote Components



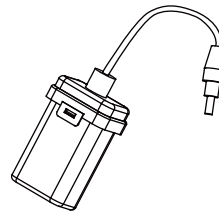
Installation Cardboard



Sealing Flange



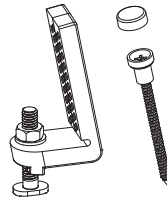
Angle Valve



Battery Box



Braided hose

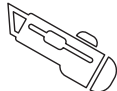


Mounting accessory kit

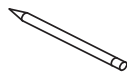
REQUIRED TOOLS



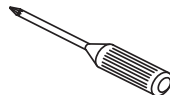
SPANNERS



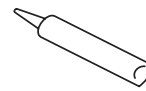
KNIFE



PENCIL



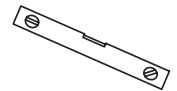
SCREWDRIVER



SILICONE



GOGGLES



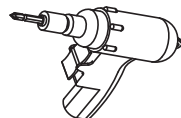
LEVEL



TEFLON TAPE



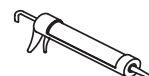
SOFT CLOTH



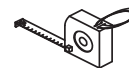
DRILL



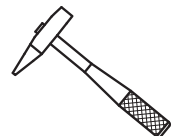
DRILL BIT



SILICON GUN

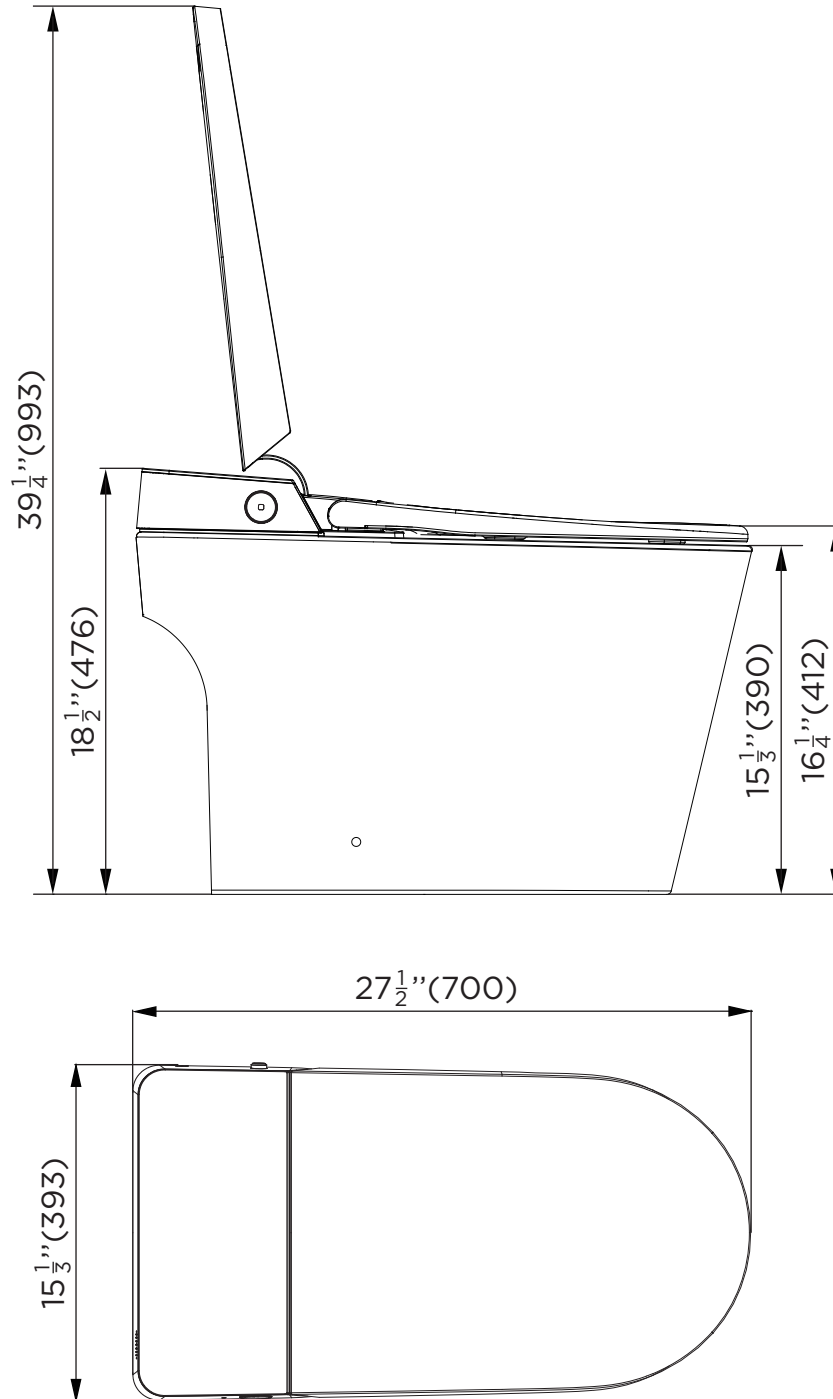


TAPE MEASURE



HAMMER

DIMENSIONS/TECHNICAL DATA



1. The product drawing is for reference only, and we reserve the right to modify the appearance of the product.
2. If the appearance of the product is changed, the actual product shall prevail.

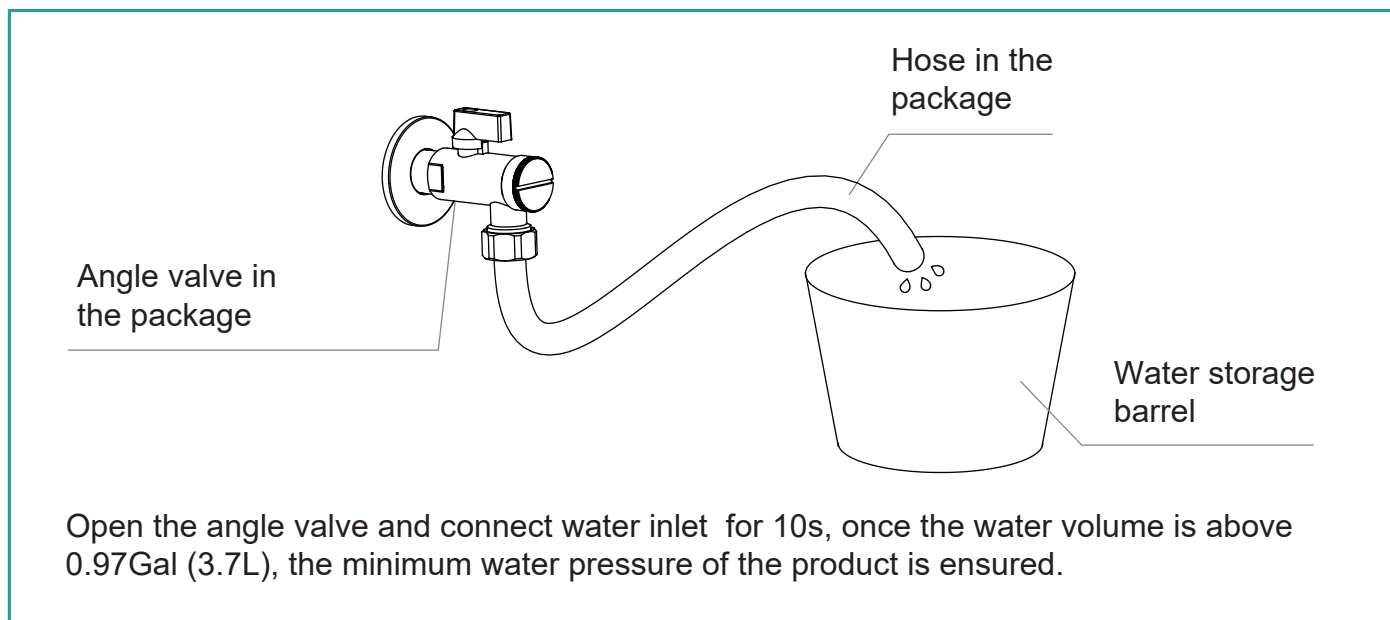
TOILET INSTALLATION



PRECAUTION BEFORE INSTALLING

- Minimum dynamic working water pressure: 0.18+ MPa (5.81+ gal/min or 22+ L/min), failure to meet this pressure will not achieve the best flushing effect.

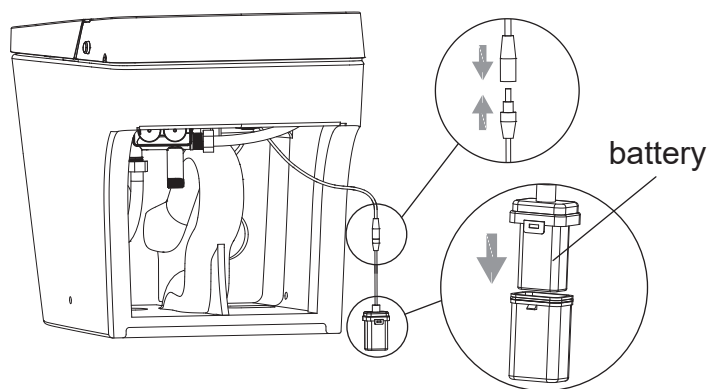
Remark: Apply the methods below if you don't have water pressure testing device.



STEP #1

Installation of battery box

- Take battery box and insert batteries for flushing without power.
- Plug DC connector on the battery box and toilet.
- Place battery box at the bottom of toilet.

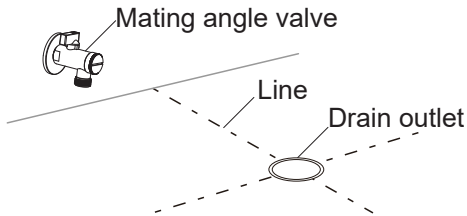


- Note: 1. It is recommended to use high quality 6LR61 9V battery.
2. Connect battery box to cable for flushing without power and place it at the bottom of toilet if this function is not required.

STEP #2

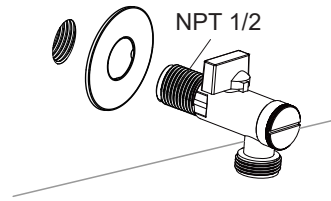
Installation of mating angle valve

Draw drain outlet centerline on the floor, Install angle valve at proper position on wall according to dimension of toilet.

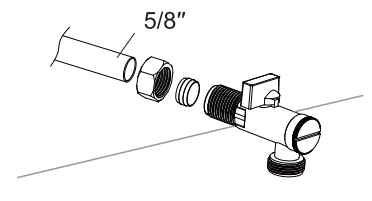


Choose the correct size of mating angle valve that compatible with your water outlet from the package.

Installation Method 1:



Installation Method 2:



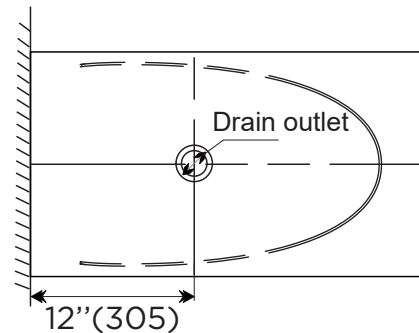
Note:

1. Please use the supplied angle valve when installing this toilet. Use of another angle
2. valve not including a filter may result in blockages in the toilet and bidet waterways. If replacing an existing angle valve, please contact a professional for installation.

STEP #3

Template installation

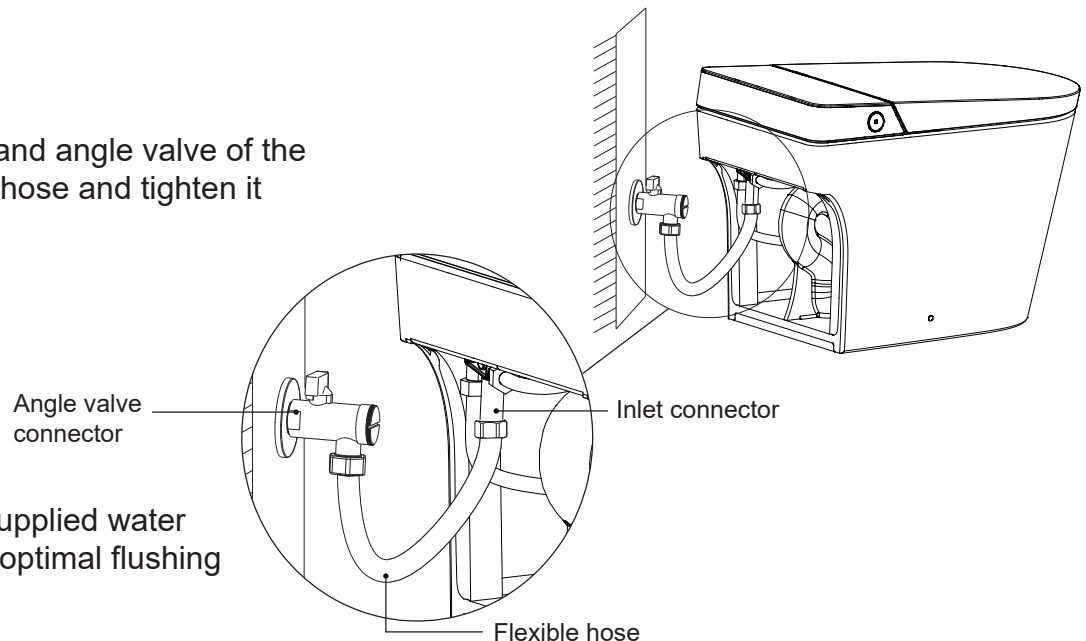
- Align cardboard with the centerline of drain outlet;
- Draw contour line according to cardboard;



STEP #4

Hose

- Connect the water inlet and angle valve of the toilet with the matching hose and tighten it

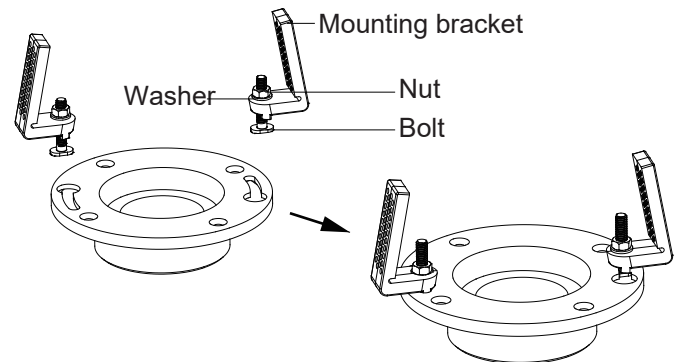


Note: Please use this supplied water supply hose, to ensure optimal flushing performance.

STEP #5

Mounting bracket installation

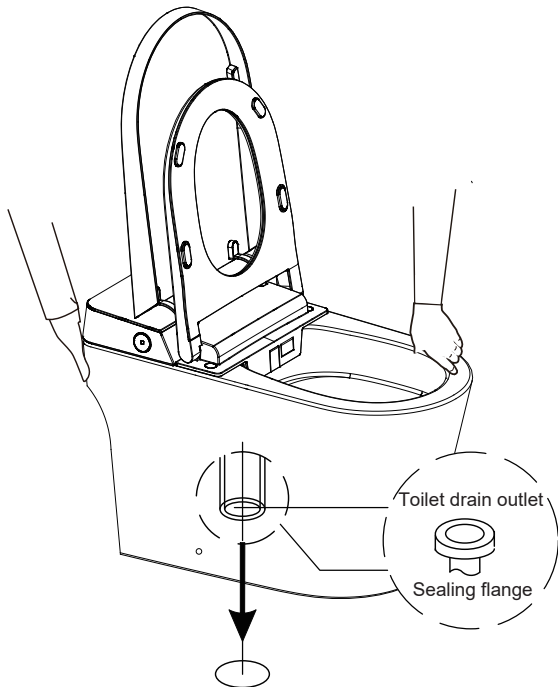
- Assemble the mounting bracket with bolts and then secure them to the pre-installed flange on the ground and tighten with nuts.



STEP #6

Ceramic toilet installation

- Install sealing flange on drain outlet; Install ceramic toilet on corresponding position according to contour line.



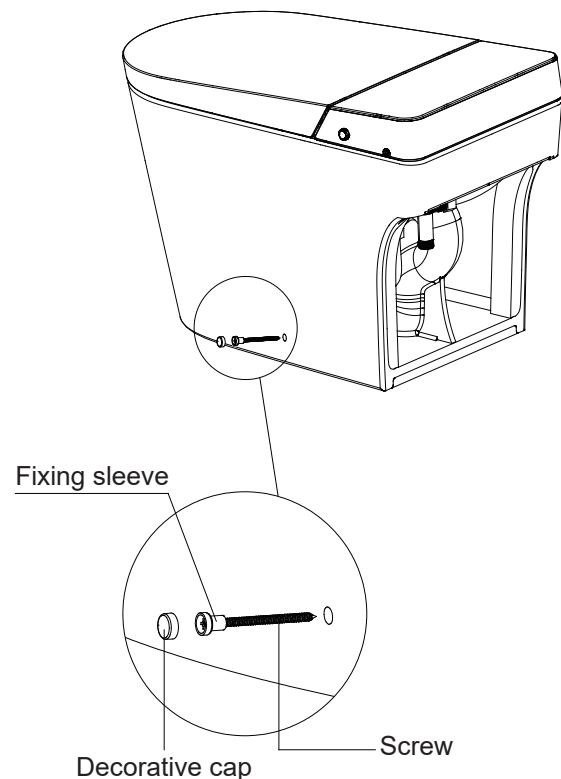
Tips:

1. The toilet is heavy, and should be carried by 2 adults by opening the seat cover.
2. Clean drain outlet before installation.
3. Make make sure ceramic toilet outlet sits perfectly on drain outlet.

STEP #7

Screw installation

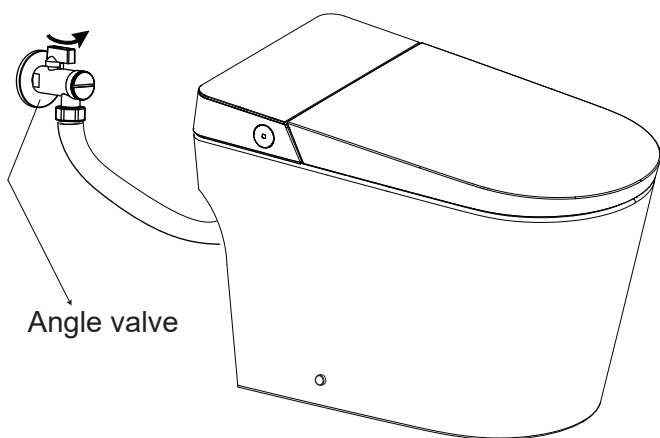
- Put the screw through the fixing sleeve and then install it through the holes (on both sides of the toilet ceramic) to the mounting bracket on the ground, and lock tight with a tool;
- Put the decorative cap on the fixing sleeve.



AFTER INSTALLATION

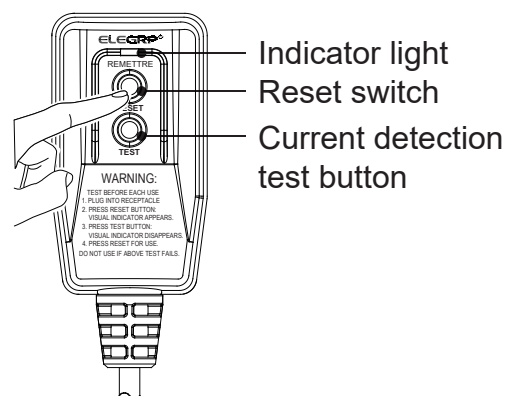
1. Turn on the angle valve

Check thread connection, make sure no leakage is found, unscrew angle valve anticlockwise to maximum opening.
(Tips: When opening for the first time, the angle valve handle has a larger torque)



2. Power Connection

Insert power line leakage protection plug into the power socket, press the reset switch, plug indicator lights on indicating that the power is on.



- * Only for models with leakage protection plug.
- * Please refer to the actual product.

3. Self-inspection

1. When the host buzzer beeps, the button lights up white, start self-inspection;
2. The host buzzer will beep again. After the self-inspection is completed, the button will light white.
3. Turn on the function and use it normally.

Tips:

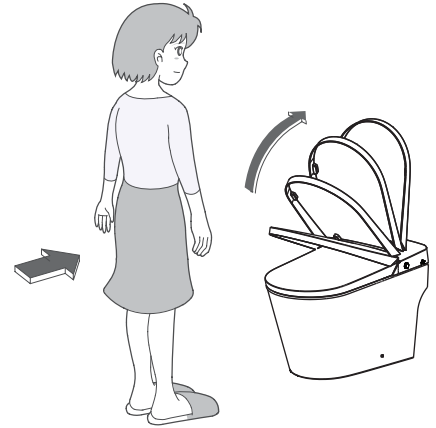
1. Press electric leakage test button prior to usage, the reset switch pops up indicating that the leakage protection function normal.
2. Press the TEST button (then RESET button) every month to assure proper operation.

AUTO LID OPEN/CLOSE

If you purchase the intelligent toilet with auto lid open/close function, the product can achieve the function of auto lid open/close.

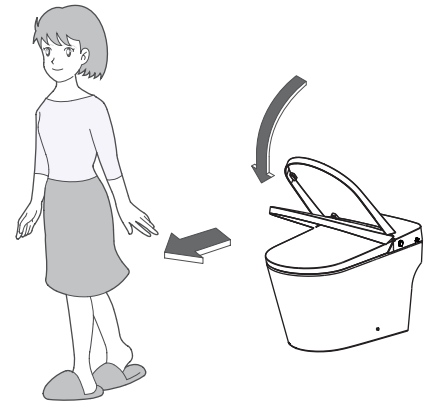
1. Approaching the toilet

When approaching the toilet, the mechanism will detect the movement and the cover will open automatically.



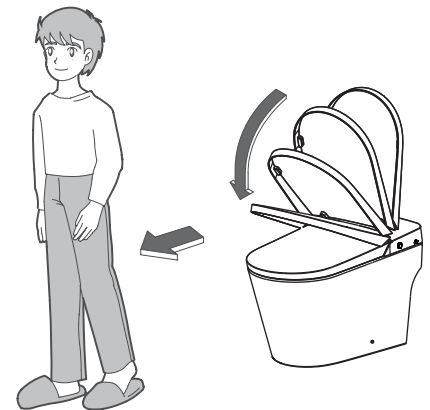
2. Leaving the toilet

After about 180 seconds when leaving the toilet, the cover will close automatically.



3. Men urinate when standing

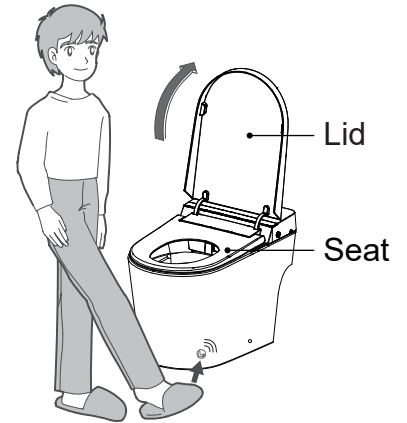
1. Use the remote control to open the seat or do it manually.
2. After using and leaving the toilet, the toilet cover and seat will automatically close after 180 seconds.



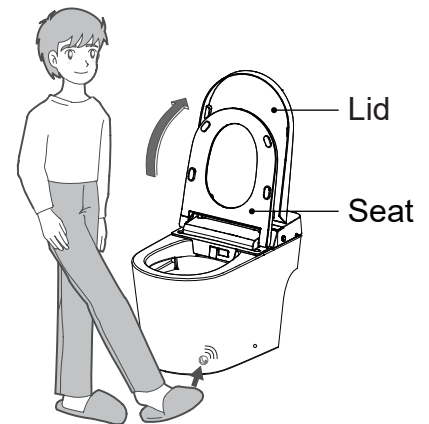
SENSOR FOOT

If the toilet is equipped with foot sensor lid-open function, it can make lid auto-open by sensing foot movement.

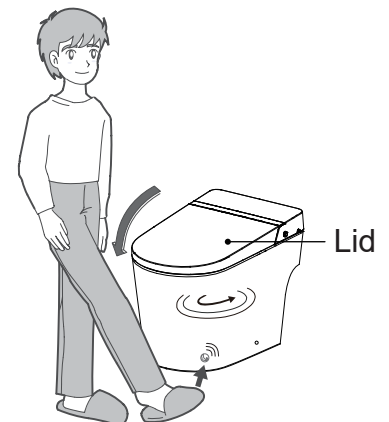
1. When the lid and seat are both closed, put the foot within the sensing area and then lid opens automatically.



2. When the lid is open and seat closed, put the foot within the sensing area and then seat opens automatically.



3. When the seat and lid are open, touch the sensing area with feet, close the seat and lid and then make the flushing.



TOILET USER MANUAL

(PAGES 12 TO 21)



READ ALL INSTRUCTIONS BEFORE USING

IMPORTANT SAFEGUARDS

When using electrical products, especially when children are present, basic safety precautions should always be followed, including the following:

1. The appliance is not to be used by persons (including children) with reduced physical, sensory or mental capabilities, or lack of experience and knowledge, unless they have been given supervision or instruction.
2. Children being supervised not to play with the appliance.
3. This appliance can be used by children aged from 8 years and above and persons with reduced physical, sensory or mental capabilities or lack of experience and knowledge if they have been given supervision or instruction concerning use of the appliance in a safe way and understand the hazards involved.
4. Children should not play with the appliance.
5. Cleaning and user maintenance should not be made by children without supervision.



DANGER

TO REDUCE THE RISK OF ELECTROCUTION

1. Do not use while bathing.
2. Do not place or store product where it can fall or be pulled into a tub or sink.
3. Do not place in or drop into water or other liquid.
4. Do not reach for a product that has fallen into water. Unplug immediately.
5. Do not wash the main unit or electrical plug with water or detergent.
6. Do not handle the electrical plug with wet hands.
7. Do not put hands or other material over the outlet of air dryer or block the outlet of air dryer.
8. Never disassemble, repair or modify this product.
9. During installation, disassembly, repair and maintenance of the product, the power plug must be switched off and water supply must be shut off.



WARNING

**TO REDUCE THE RISK OF BURNS, ELECTROCUTION,
FIRE, OR INJURY TO PERSONS.**

1. Close supervision is necessary when this product is used by, on, or near children or invalids.
2. Use this product only for its intended use as described in this manual. Do not use attachments not recommended by the manufacturer.
3. Never operate this product if it has a damaged cord or plug, if it is not working properly, if it has been dropped or damaged, or dropped into water. Return the product to a service center for examination and repair.
4. Keep the cord away from heated surfaces.
5. Never use while sleeping or drowsy.
6. Never drop or insert any object into any opening or hose.
7. Do not use outdoors or operate where aerosol (spray) products are being used or where oxygen is being administered.
8. Connect this product to a properly grounded outlet only. See Grounding Instructions.
9. Do not throw cigarettes or other burning materials into toilet, this may cause a fire.
10. This product is an electric appliance, so it must be placed far away from water. Please do not soak any product in urine or any other liquid.
11. Do not lay on side or upside down while electrical circuit is active.
12. It is prohibited to use other electric appliances in the same socket.
13. It is prohibited to use the power extension cable or use an unstable or loose outlet.
14. Installation of the bidet seat should include specified components and new water supply hose. Please DO NOT use previous or aging water supply hose as that could cause possible leakage.

IMPORTANT SAFETY INSTRUCTIONS



CAUTION

INDICATES THAT FAILURE TO FOLLOW THE INSTRUCTION MAY CAUSE BODY INJURY OR PROPERTY DAMAGE.

1. Do not install or use the product in wet places such as a steam room, etc.
2. It is recommended to use a water-proof electrical outlet, which should be installed in a dry and safe place where it is not easy to get wet.
3. This product should be used with 110V-120V,50/60Hz electrical current only,load current is at least 15A. Power plug must be equipped with ground fault circuit interrupter or ground fault electrical leakage protector or similar high sensitive, rapid type leakage switch (Rated sensitive current under 6mA).
4. When it thunders,it is strongly recommended to pull out the power plug.
5. Do not stand on ceramic toilet.
6. Floor fixing bolts must be installed with this product.
7. Do not stand on product unit,seat or cover.
8. Do not lean against the seat cover when using the product,to avoid damage.
9. This product is equipped with soft-closing seal cover.Heavy pressing or pushing may damage the soft-closing damper.
10. Do not use lacquer thinner,petrol,liquid medicine,detergent,insecticide,toilet cleanser and scrubbing brush to clean the product.
11. Exposure to direct sunlight is prohibited.
12. Only use tap water or potable water;otherwise it may cause chafing.
13. Do not connect water supply to heater outlet.Make sure inlet water temperature at 3~35 °C / 37.4~95. F
14. When the room temperature is under zero degrees, please dry up the water tank,to avoid freezing.
15. To prevent damage due to freezing, keep room temperature above 12.8 °C / 55 F
16. When moving the product from a cold ow wet environment into normal room temperature, wait until all condensation has evaporated. Doing so can prevent any electrical short circuit.
17. When not using the product over three(3) days,drain the water out of the container and pull the electrical plug from the wall outlet.
18. Stop using the product and shut off the power when product malfunctions, please contact service professionals for service.

GROUNDING INSTRUCTIONS

This product should be grounded. In the event of an electrical short circuit, grounding reduces the risk of electric shock by providing an escape wire for the electric current. This product is equipped with a cord having a grounding wire with a grounding plug. The plug must be plugged into an outlet that is properly installed and grounded.



DANGER

IMPROPER USE OF THE GROUNDING PLUG CAN RESULT IN A RISK OF ELECTRIC SHOCK.

If repair or replacement of the cord or plug is necessary, do not connect the grounding wire to either flat blade terminal. The wire with insulation having an outer surface that is green with or without yellow stripes is the grounding wire. This product is factory equipped with a specific electric cord and plug to permit connection to a proper electric circuit. Make sure that the product is connected to an outlet having the same configuration as the plug. No adapter should be used with this product. Do not modify the plug provided — if it will not fit the outlet, have the proper outlet installed by a qualified electrician. If the product must be reconnected for use on a different type of electric circuit, the reconnection should be made by qualified service personnel.

SAVE THESE INSTRUCTIONS

Technical specification

Model		ST4W
Main Unit	Rated voltage	110V-120V, 50/60Hz
	Rated power	1170W
	Overall unit Waterproof	IPX4
	Electrical wire	Length is about 2.2m
Toilet	Flush volume	1.28Gpf (4.8Lpf)
	Flushing mode	Siphonic jet
	Rough-in distance	305mm
	Outlet outside diameter	≤100mm
	Drainage method	Down-drain
	Water pressure range	0.18 MPa (dynamic pressure, flow rate of 5.81+ gal/min or 22.0+ L/min) - 0.8 MPa (static pressure)
Cleaning device	Heating mode	Instant heated
	Heating power	120V/1400W
	Water temperature	6 different level adjustment
	Water volume	3 different level adjustment
	Cleansing mode	Rear washing / Moving washing, Front washing / Moving washing
	Spray cleansing location	5 different level adjustment
	Water pressure protector	Pressure stabilizer, Automatic pressure discharging
	Anti-fouling device	Automatic cleansing nozzle, Anti-syphon device, Anti-backflow device, Filter device
	Safety device	Thermal fuse, Water temperature sensor, Ground protection, Thermostat, Over temperature protection, Leakage protection plug

Model		ST4W
Drying device	Warm air volume	Over 0.2m ³ /min
	Warm wind temperature	6 different level adjustment
	Heating power	250W
	Safety device	Thermal fuse, Temperature sensor, Thermostat
Deodorization	Deodorization Method	Photocatalyst-free
Heated seat	Surface temperature	6 different level adjustment
	Heating power	50W
	Heated burning protection	After 10 minutes of use, the seat temperature will automatically drop slowly to a low level
	Safety device	Sensed area, Temperature sensor, Thermal fuse, Over temperature protection, Leakage protection plug
Caring device	Night light assembly	Intelligent, Always on, Always off
	User ID setting	To avoid interference when used by multiple users
	Automatic flushing	Toilet will automatically flush as user walks away from bowl
	Foot-sensing flushing function	Enables foot-sensing flushing function
	Flushing during power failure	Manual flushing after use (Please install batteries before use)
	Lid opening	Lid auto-open
Antibacterial position		Seat, Nozzle

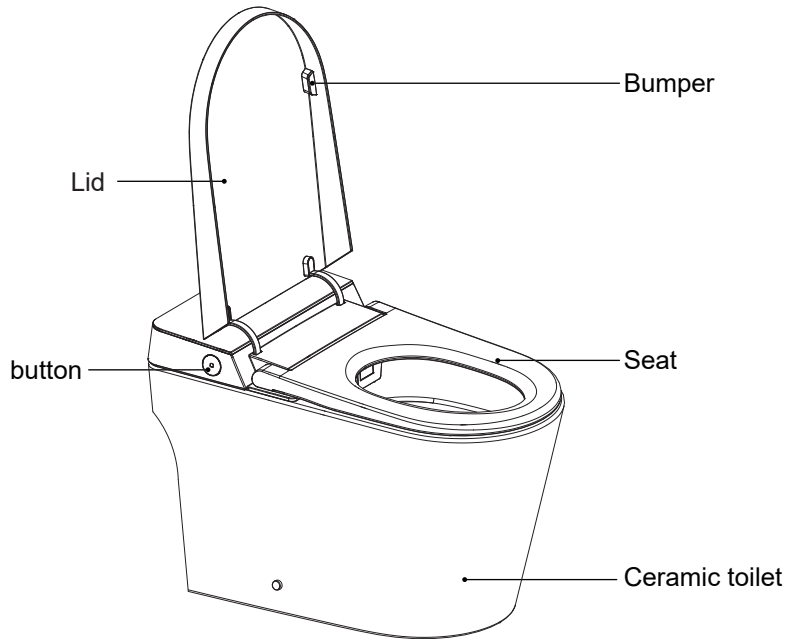
Description:

Rated power:

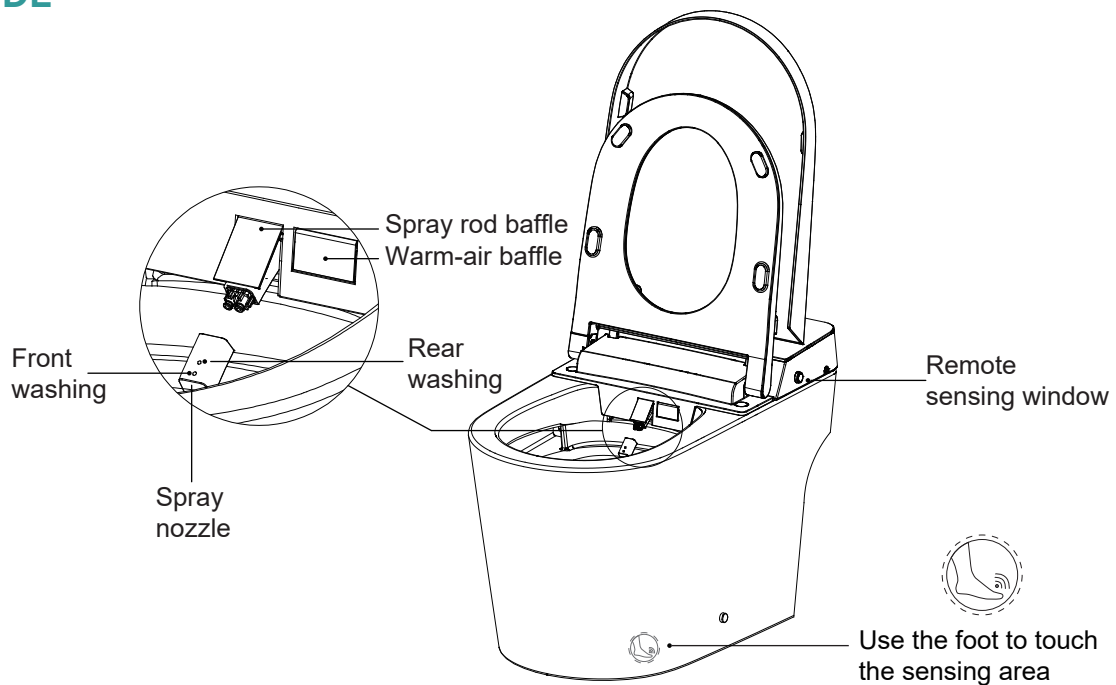
Under the condition of ambient temperature 73°F, static pressure of water inlet 0.18MPa±0.02MPa and water inlet temperature 41°F, the toilet starts to power on. After setting the water pressure, seat temperature and water temperature to the highest level in turn, start rear washing immediately and work stably for one washing cycle.

PARTS IDENTIFICATION

LEFT SIDE



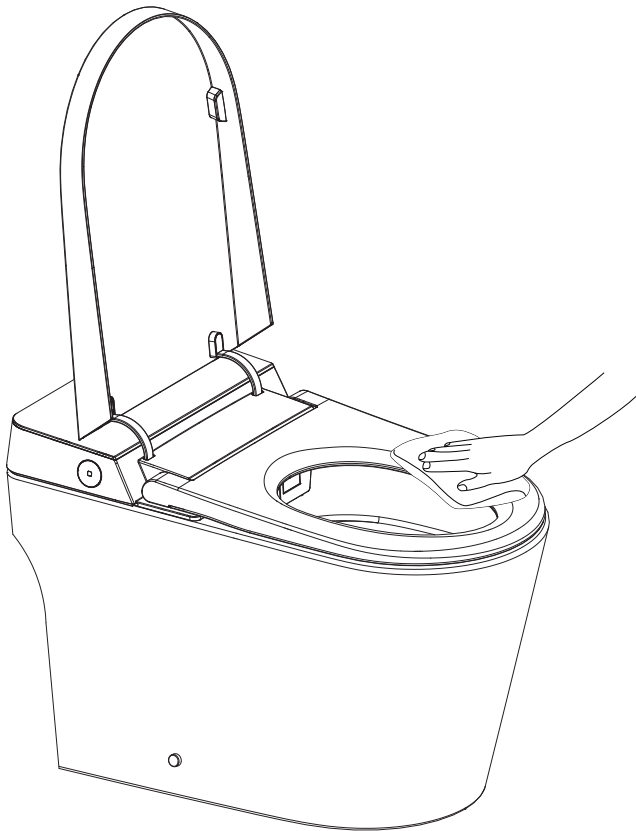
RIGHT SIDE



DAILY MAINTENANCE

Main Unit Care And Maintenance

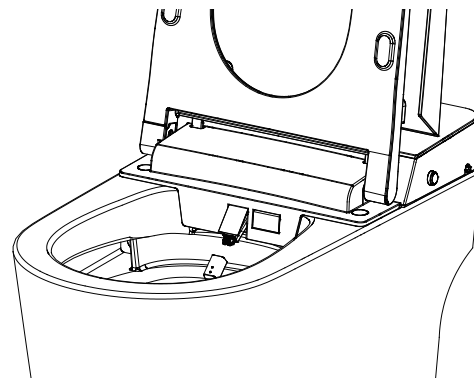
1. Shut off power supply before attempting maintenance.
2. Wipe the stain with a soft damp cloth.



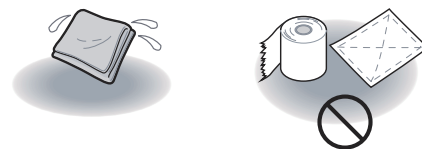
3. Safety self- inspection
 - After cleaning, re-connect the toilet with the power supply.

Spray Nozzle Maintenance And Care

1. Nozzle self-cleaning
 - While not sitting on the unit, short press the “REAR/MOVE ” Button on the main unit, the spray nozzle will extend outward and water will flow out.
2. Spray nozzle disassemble
 - When the nozzle moves forward, the nozzle can be disassembled to clean.



3. Wipe any stain with a soft damp cloth.
 - Do not pull or push the rod, to avoid damage.



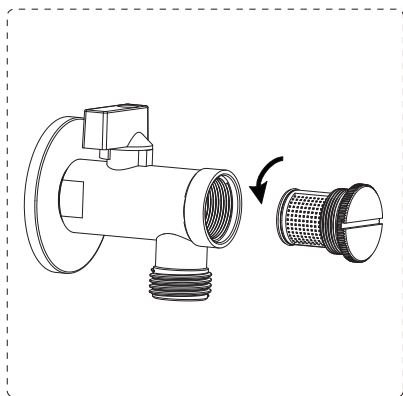
4. Nozzle retraction
 - Put the nozzle back to the front of the boom and press the “Stop” button to automatically retract the nozzle.

EMERGENCY TROUBLESHOOTING

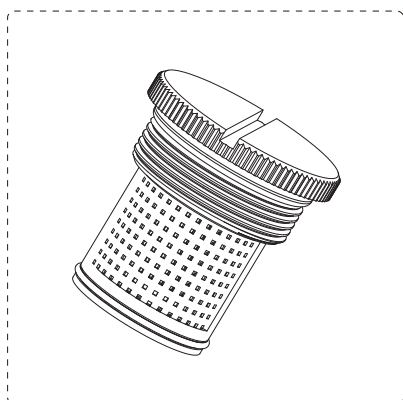
Maintenance of filter net

Time for maintenance: It is under normal water pressure but poor flush performance occurs.

1. Turn off power and the angle valve
2. Unscrew angle valve nut



3. Remove filter net

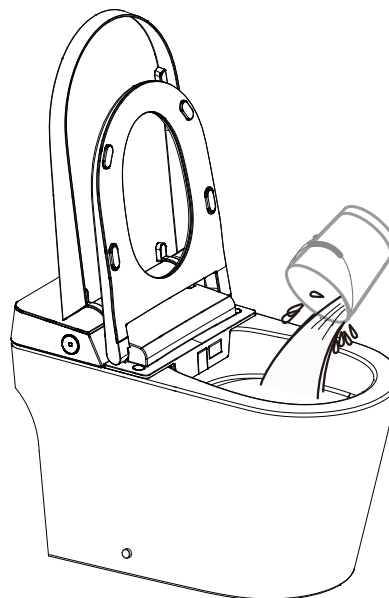


4. Use the brush to clean filter net
5. Reinstall filter net and angle valve nut
6. Turn on the angle valve and connect power, then it can work normally after self inspection.

No water supply

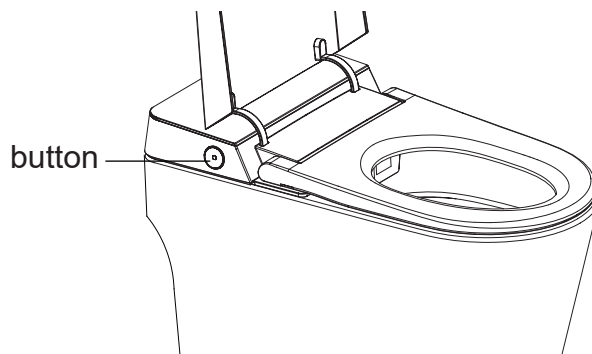
- Put around 2.1Gal (8L) of water into a bucket and flush the bowl.

Note: Avoid water spilling from bowl.



No power

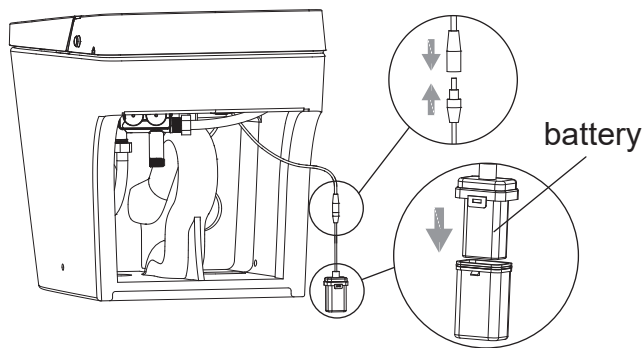
- Operate via button on the main unit.



EMERGENCY TROUBLESHOOTING

Battery replacement

1. Unplug DC connector and remove the battery box.
2. Install new batteries.
3. Reconnect battery box and put it back.



Reminder:

1. It is recommended to use high quality 6LR61 9V battery.
2. It is recommended to replace the battery every two years, otherwise there may be a risk of leakage.

Failure of remote control

1. Operate via button on the main unit.
2. Battery replacement
 - Remove the remote control from holder.
 - Open the battery cover and replace the batteries.
 - Put the remote control back.

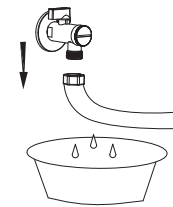
Note: After battery replacement, the remote control settings will be restored to the defaults. Please reset.

When the product is left unused for long time

- Especially in winter when no one at home for a long time, please drain out the water inside tank and pipe to prevent freezing.

To discharge water

1. Drain out the water inside tank
 - Activate flushing, and then turn off angle valve to prevent water inlet.
2. Unplug and cut off the electricity
3. Drain out the water inside pipe
 - Unscrew the hose connector off angle valve, drain the water in the pipe and reinstall.



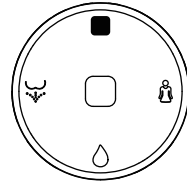
4. Handle the remaining water in bowl
 - It is suggested to put some antifreeze into water inside the bowl.





Tips: Make sure to turn on water supply and power when you use the toilet again.

Note Before water discharging, the power must be cut off!

DESCRIPTION OF THE BUTTON FUNCTION

The illustration of main unit buttons




 Stop	<ol style="list-style-type: none"> 1. Press and hold the “Stop” button on the unit, the unit enters the shutdown mode (white light off), press the “Stop” button again, the unit returns to the working mode (White light normally on). [In the shutdown mode, except for the “Stop” button on the main unit, any button (including the unit and the remote control) is invalid]. 2. When the user is seated, press the “Stop” button on the main unit to stop the feminine washing, rear washing or drying function. When the user is not seated, press the “Stop” button on the main unit repeatedly. The main unit switches over between working mode (White light normally on) and power save mode (white light flash).
 Rear washing/ Oscillating washing	<ol style="list-style-type: none"> 1. When the user is seated, press "Rear washing" button, to wash the rear portion of body; Press "Rear washing" button repeatedly, then turn on/off mobile function; Press "Stop" button to stop. When one circle washing is finished and the body remains seated, the dry function will be automatically turn on and will stop after one cycle. 2. When no one is seated, press "Rear washing" button, the rod will stretch out ,the user can wash the nozzle and rod manually, press "Stop" button, the rod will retracts.
 Front washing/ Oscillating washing	<p>When the user is seated, press "Front washing" button, to wash the front portion of body; Press "Front washing" button repeatedly, then turn on/off mobile function; Press "Stop" button to stop. When one circle washing is finished and the body remains seated, the dry function will be automatically turn on and will stop after one cycle.</p>
 Flushing	<ol style="list-style-type: none"> 1. When the user is seated, long press the “Flush” button on the main unit to turn on the drying function. After drying for one cycle, it will stop automatically. During the drying process, press the “Stop” button to stop the drying function. 2. In the non-off mode, short press the “Flush” button on the main unit to turn on the flush function. [Under the rear wash or the front washfunction, the flush function is invalid; when the nozzle is manually cleaned, the flush function is activated after the nozzle is fully extended and retracted into position].

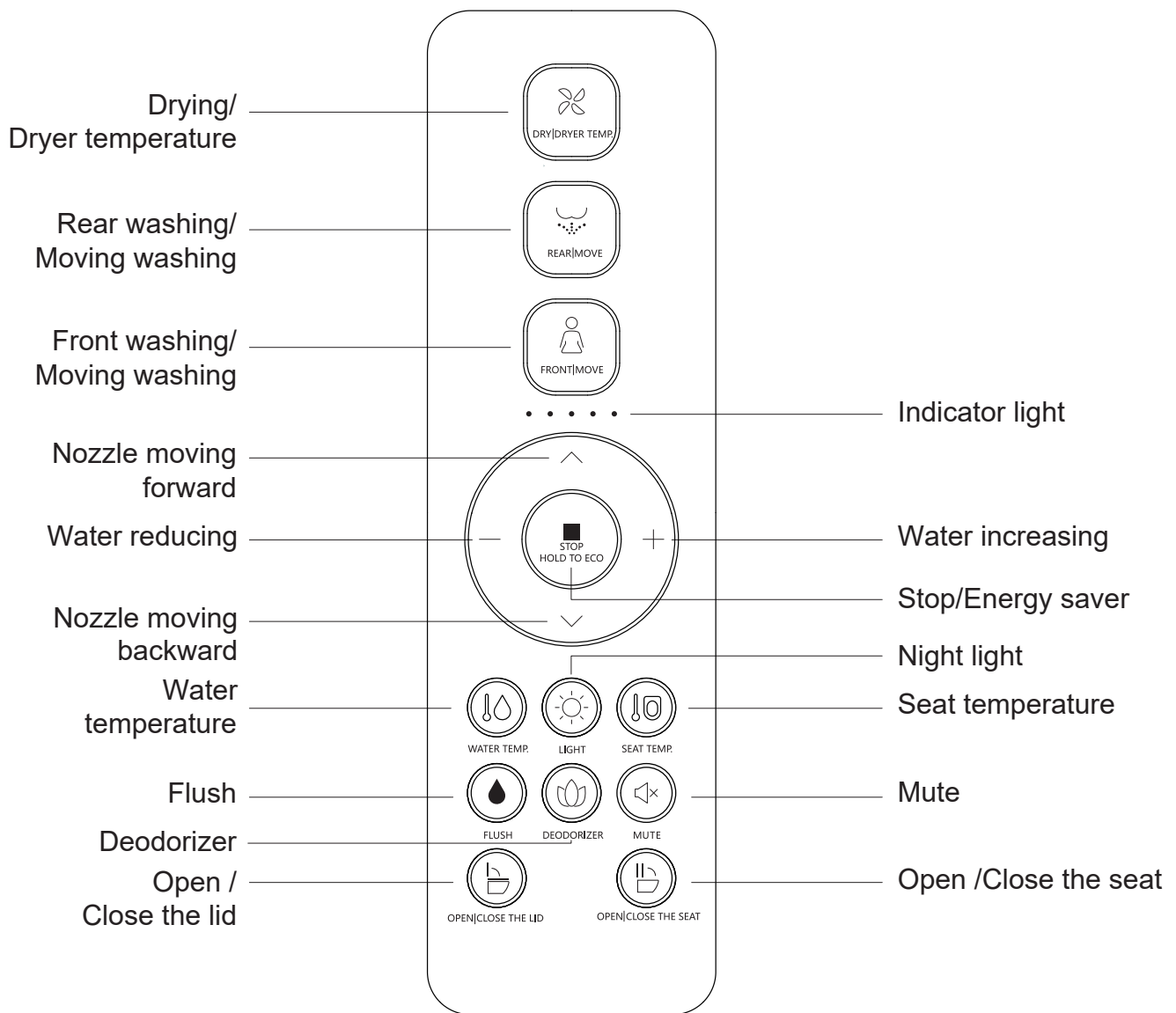
Tips:

The default setting of all function is on middle level, after using controller, shift to the level setted last time.

TROUBLESHOOTING GUIDE

Problem	Cause	Solution
No flushing	Water supply hose buckling causes block	Solve the buckling
	Fill valve is off	Turn on the fill valve
	Water supply is cut off	Connect water supply and wait for the water
Poor flushing	Water supply hose buckling causes partial block	Solve the buckling
	Fill valve is not fully turned on	Turn on the fill valve fully
	Filter is dirty and causes block	Clean the filter
Low water temperature	The water temperature is setted on normal temperature level	Reset the water temperature
Low seat temperature	The seat temperature is setted on normal temperature level	Reset the seat temperature
	In standby mode	Switch to functional mode and use it after 3 minutes of use
Low wind temperature	The wind temperature is set on normal temperature level	Reset the wind temperature
No wind out	In standby mode or power save mode	Shift to function mode to use dry function
Spray rod cannot retracted	Power off	Push back the rod lightly and wait for the power
	Get stuck by impurities	Clear away the impurities
Spray rod cannot stretch out	Power off	Push back the rod lightly and wait for the power
	Not sit in sensing area	Sit right in the sensing area
Remote control cannot display	Reverse the polarity of battery	Reload the battery
Malfunction of deodorization	User doesn't reach the sensing area in seat	Adjust to reach the sensing area
	Deodorization function keeps working after user leaves	It's a normal phenomenon if deodorization function keeps working after user leaves to ensure eliminating smell entirely
Manual flushing cannot work during power failure	No or low battery	Replace new batteries for power failure flushing
 Caution	If the problems cannot be solved as per above methods, please shut-off the power, and contact service providers for maintenance.	
	If the leakage circuit breaker often trips off, it means the products has electricity leakage, so please shut off the power, and contact service provider for maintenance.	

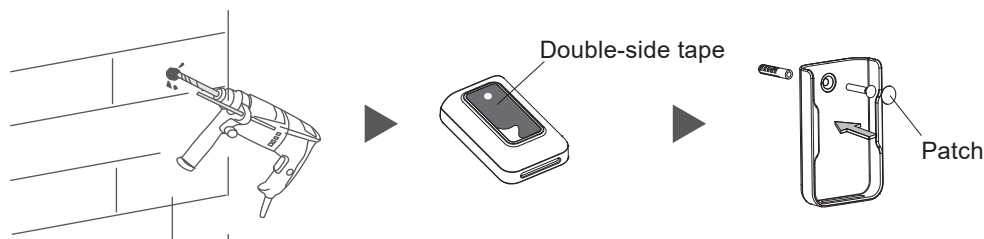
REMOTE CONTROL USER MANUAL (PAGES 22 TO 27)



REMOTE CONTROL HANGER INSTALLATION

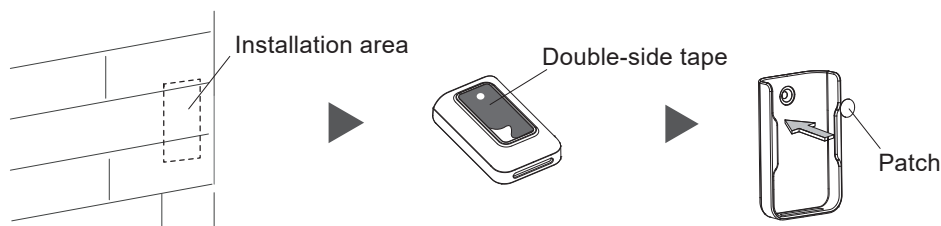
Remote control hanger installation 1:

1. Drill a 6 mm diameter hole in the wall to a depth of about 35 mm.
2. Tear off the double-sided adhesive sticker on the back of the hanger.
3. Install the expansion pipe into the wall hole, and align it with the hanger hole. Attach the double-sided adhesive sticker on the back of the hanger to the wall, lock the screw, and tear off the double-sided adhesive sticker on the back of the patch and stick it on.



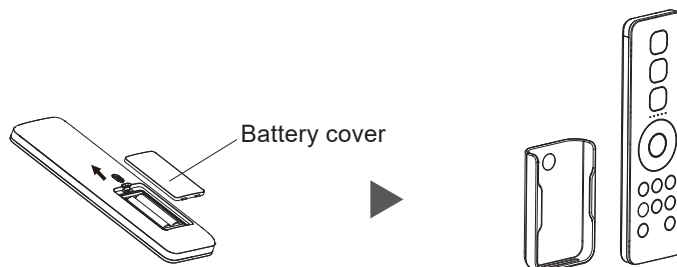
Remote control hanger installation 2:

1. Clean and wipe dry the pre-installed area of the remote control hanger on the wall.
2. Tear off the double-sided adhesive sticker on the back of the hanger.
3. Stick to the wall vertically, tear off the double-sided adhesive sticker on the back of the patch and stick it on.



Battery installation:

1. Install the new battery into the remote control and cover the battery cover.
2. Put the remote control in the hanger.



- Notice:**
1. When determining the installation position, it is necessary to ensure that the remote control can be reached by hand when the person is sitting on the ring.
 2. It is prohibited to install and use the product in the bathroom and other wet places. It is also prohibited to immerse remote in water or any other liquid.



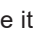
USAGE INSTRUCTION

NOTICE:

- The body should touch the seat and the buzzer rings “CLICK”, which means functions of front washing, rear washing and drying are in operation.
- Please stay backward when sitting on the seat. So that the washing position can be easily aligned and there will be no splash.
- The nozzle will continue to spray for 1-2 seconds after user stands up during spray operation, so please press “STOP” button before standing up.



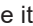
REAR|MOVE

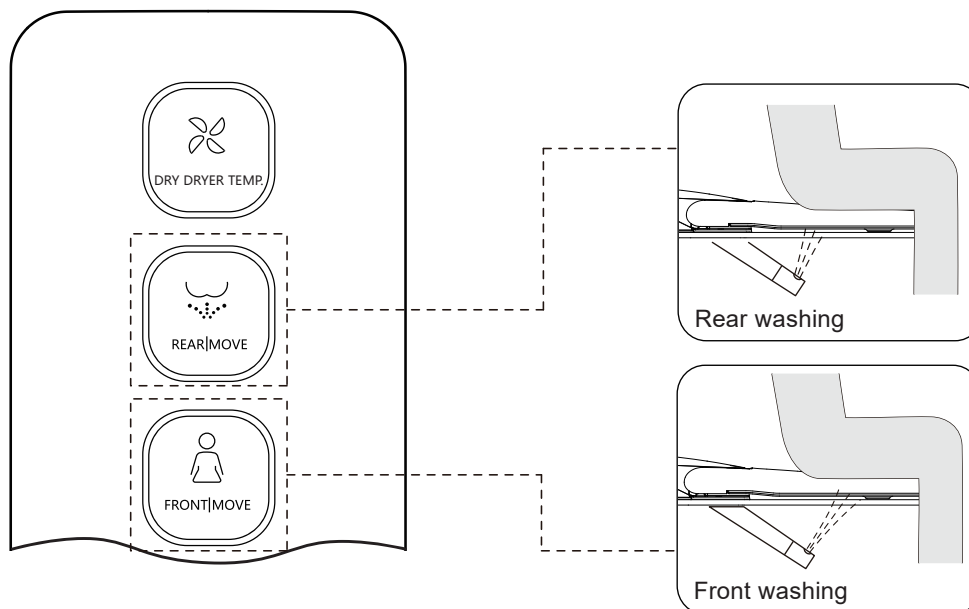


· Press “” button, the indicator light is on showing current water temperature level, it starts rear washing; Press again “” button to shift to moving washing (nozzle moves forward and backward to expand washing area). The washing will last for a circle and stop automatically, while it will stop immediately if the user presses “” button.

FRONT|MOVE





· Press “” button, the indicator light is on showing current water temperature level, it starts front washing; Press again “” button to shift to moving washing (nozzle moves forward and backward to expand washing area). The washing will last for a circle and stop automatically, while it will stop immediately if the user presses “” button.

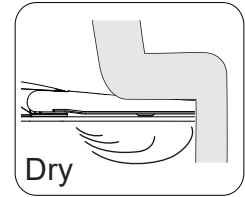


DRY|DRYER TEMP



① Press the "  " button, the indicator light will light up, showing the current air temperature range. It will stop drying automatically after a cycle or after the human body leaves the seat.

② In the process of drying, press the "  " button to adjust the air temperature, and the indicator light will light up to display the wind temperature range. When the indicator light is not on, it is 0 grade (normal temperature range), and the range adjustment mode is 0-5 grade in turn.



○ ○ ○ ○ ○
Normal
temperature

● ○ ○ ○ ○
Grade 1

● ● ○ ○ ○
Grade 2

● ● ● ○ ○
Grade 3

● ● ● ● ○
Grade 4

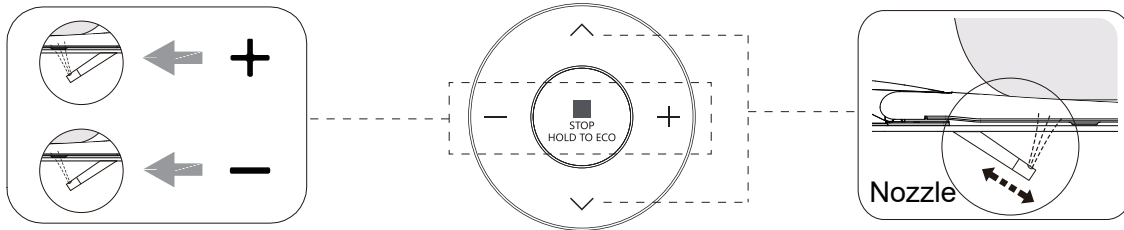
● ● ● ● ●
Grade 5

Water volume adjustment

- Press "+" or "-" button when it is under function of rear washing or front washing, the indicator light will be on showing current water volume level, adjust water volume by 3 levels.

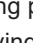

Spray nozzle position adjustment

- Press "▲" or "▼" button when it is under function of rear washing or front washing, the indicator light will be on showing current nozzle position, adjust nozzle position by 5 levels.



Energy saver



Long press "  " button to enter energy saving mode, long press "  " button again to exit energy saving mode.

Energy saving

Under energy saving mode, seat temperature is low (level 1) to achieve energy saving. (Note: If the seat temperature before energy saving is neutral, keep the neutral after energy saving)


Remark

Energy saving mode will be suspended and goes to function mode if someone uses the seat in the middle of energy saving. The seat starts to heat immediately (without closing the seat temperature), and the energy saving mode is restored after the human body leaves the seat.

Water temperature adjustment



WATER TEMP.

Short press the “” button to adjust the water temperature. The indicator will show the water temperature level if it's on. When the indicator is off, the water level is 0. Short press this button to adjust water temperature level from 0 to 5 in cycle.

○ ○ ○ ○ ○

Normal
temperature

● ○ ○ ○ ○

Grade 1

● ● ○ ○ ○

Grade 2

● ● ● ○ ○

Grade 3

● ● ● ● ○

Grade 4


● ● ● ● ●

Grade 5

Seat temperature adjustment



SEAT TEMP.

Short press the “” button to adjust the seat temperature. The indicator will show the seat temperature level if it's on. When the indicator is off, the seat level is 0. Short press this button to adjust seat temperature level from 0 to 5 in cycle.

○ ○ ○ ○ ○

Normal
temperature

● ○ ○ ○ ○

Grade 1

● ● ○ ○ ○

Grade 2

● ● ● ○ ○

Grade 3

● ● ● ● ○

Grade 4

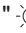


● ● ● ● ●

Grade 5

Night light





LIGHT

- Night light adjustment: Short press “” button to turn on/turn off night light.
- Intelligent mode: Long press “” button to enter into intelligent mode (Night light will be on or off depending on the surrounding light.). If the product is on intelligent mode, short press “” button to exit intelligent mode. (Factory setting: intelligent mode)

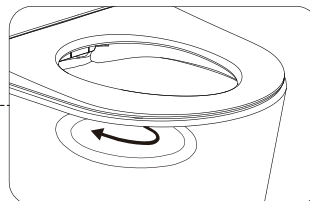
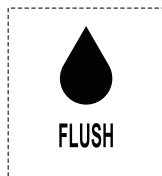
Flush



FLUSH

- Short press “” button, the toilet starts flushing.
- Long press “” button to turn on/off auto flush function.


When the auto flush function is turned on, toilet will automatically flush after detecting user leaving the seat.



Quiet mode



MUTE

- Short press “” button to turn on/off quiet mode.

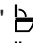
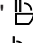
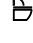
Open/Close by remote controller



OPEN/CLOSE THE LID




OPEN/CLOSE THE SEAT

- Short press "  " button, open or close the lid.
- Short press "  " button, open or close the seat.
- Long press "  " button to turn on/off auto lid open/close function.

Auto deodorization

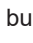





DEODORIZER

Short press "  " button to turn on/off auto deodorization function. While the auto deodorization function is on, when it's detected that the user is seated, it'll start deodorizing and stops when user leaves. When warm air is working on, deodorization function is off. (This function is set to on by default.)

User code

· IR remote control

- ① Plug in the toilet. It will execute self-inspection. When finished, it beeps once.
- ② First press "  " button, then press "  " button, the indicator light will flash.
- ③ Press the Pressure " + " or " - " button to select user 1-9 (as shown the figure below). The indicator light displays the corresponding user code and flashes.
- ④ Press "  " button, then press "  " button. The main unit beeps once, means the remote control and the toilet are matched successfully.

● ○ ○ ○ ○

User 1

○ ● ○ ○ ○

User 2

○ ○ ● ○ ○

User 3

○ ○ ○ ● ○

User 4

○ ○ ○ ○ ●

User 5

● ● ○ ○ ○

User 6

○ ● ● ○ ○

User 7

○ ○ ● ● ○

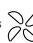
User 8

○ ○ ○ ● ○



User 9

Other operations



STERILIZATION FUNCTION

- When user is not seated and cleaning/drying is off, long press "  " button to turn on plasma sterilization function. This function will stop automatically after 2 hours. During this mode, if any other button is pressed or user is seated, it'll stop automatically.

AUTOMATIC PRE-WETTING BUTTON

- Press and hold the "  " button and press the "  " button to turn on or off the automatic pre-wetting function. After the automatic pre-wetting function is turned on, the pre-wetting function is performed when the user is detected to be seated.

FOOT SENSOR FUNCTION

- Press and hold "  " button and press "  " button to turn on or off foot sensor function. Foot sensor is deactivated when the user is seated.

TIPS:

- The buzzer will sound " BEEP " when the user presses one button which means the main unit receives the signal and conduct the operation accordingly. If the buzzer doesn't sound, it means the main unit doesn't receive the signal, please adjust the remote control direction and repress the button.
- In case of power cut during nozzle spray operation, the nozzle cannot go back to place, please wait until the power is reset. In case of a power cut for a long period, please push the nozzle softly back by hand. Do not push hard, to avoid damage to nozzle and electrical machine.

RETAIN THIS INSTALLATION MANUAL
FOR FUTURE REFERENCE.

Thank you for choosing FINE FIXTURES.