

FEATURES

- TORNADO FLUSH® flushing system, ultra-high efficiency
- ACTILIGHT® UV light cleaning system built in lid
- CEFIONTECT® ceramic glaze prevents debris and mold from sticking to ceramic surfaces
- Dual Flush function (1.0GPF/3.8LPF and 0.8GPF/3.0LPF)
- Universal Height
- Gentle Aerated, Warm Water, Dual Action Spray with oscillating and pulsating feature
- Auto lid open/close, auto flush
- Automatic air purifying system
- Adjustable heated seat
- Adjustable spray position
- Programmable energy saver system
- Back-up manual flush
- EWATER®+ (mists the bowl with electrolyzed water, reducing the need for harsh cleaning chemicals)
- Multifunctional remote control
- ADA compliant
- Energy save timer
- Night Light

MODEL

- MS901CUMFX#01

COLORS/FINISHES

- #01 Cotton

PRODUCT SPECIFICATION

The NEOREST NX2 with the TORNADO FLUSH system toilet shall be 1.0GPF/3.8LPF and 0.8 GPF/3.0 LPF. Toilet shall have ACTILIGHT UV light cleaning system, CEFIONTECT ceramic glaze and be at Universal Height. Toilet shall be of skirted design, elongated front bowl with auto open and close lid. Toilet shall be **TOTO Model MS901CUMFX#01**.



ACTILIGHT



CEFIONTECT



EWATER+



TORNADO FLUSH



Universal Height

CODES/STANDARDS

- Meets and exceeds ASME A112.4.2, ASME A112.19.2/CSA B45.1, ASME A112.18.1/CSA B125.1, UL 1431, CSA C22.2 # 68
- Certifications: IAPMO(cUPC), State of Massachusetts, City of Los Angeles and others
- Code Compliance: UPC, IPC, NSPC, and others
- ADA compliant
- Complies with CA Prop 65 warning requirements



MS901CUMFX

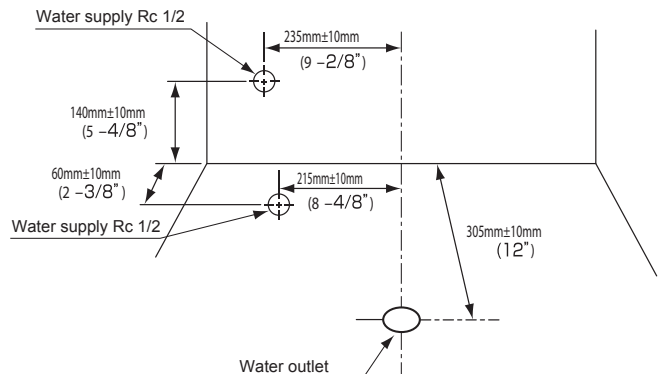
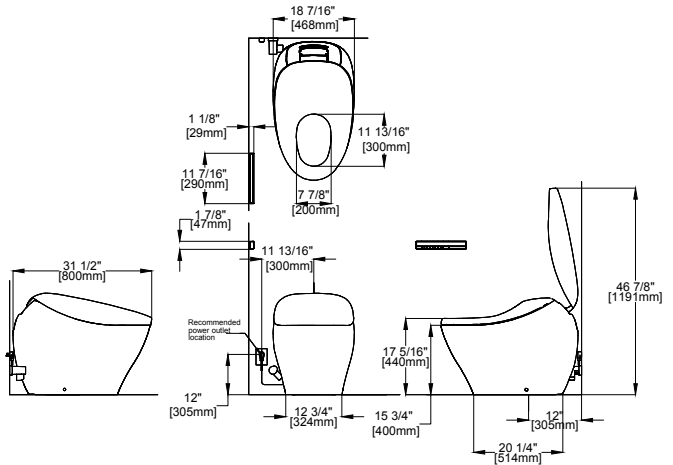
NEOREST® NX2

SPECIFICATIONS

Water Use:	1.0 GPF & 0.8 GPF (3.8 LPF & 3.0 LPF)
Flush System:	Tornado Flush
Water Pressure:	Flowing: Min 7.25 PSI (0.05MPa) Static: Max 108.75 PSI (0.75 MPa)
Water Surface:	8-1/2" x 7-1/2"
Trap Diameter:	2" (51mm)
Trap Seal:	2-1/8" (55 mm)
Warranty:	Three Year Limited (Residential) One Year Limited (Commercial)
Material:	Bowl: Vitreous china Seat + Cover: Plastic
Power Rating:	AC 120 V, 60 Hz, 1300 W
Power Cord:	1.2 m (3.94 ft)
Water Feature:	Adjustable Water Flow Rate
Rear Washing:	Approx. 0.08 - 0.11 gal/min
Soft Washing:	Approx. 0.08 - 0.11 gal/min
Front Washing:	Approx. 0.08 - 0.11 gal/min
Wide Front Washing:	Approx. 0.09 - 0.11 gal/min
Washing Spray Temperature:	Approx: 86°F - 104°F (30°C - 40°C)
Safety Feature:	Temperature Fuse
Drying Feature:	Air Temperature: Approx: 95°F - 140°F (35°C - 60°C)
Airflow Volume:	10.24 ft³/min
Safety Feature:	Temperature Fuse
Seat Warming Feature:	Surface Temperature: Approx: 82°F - 97°F (28°C - 36°C)
Seat Heater Capacity:	542 W
Safety Feature:	Temperature Fuse
Air Purifying Feature:	O ₂ Deodorizer
Air Volume:	5.65 ft³/min
Ambient Temperature Range:	32°F/0°C to 104°F/40°C
Product Size:	31-1/2" L x 18-7/16" W x 23" H
Weight:	Approximately 141 lbs.
Floor to Seat Height:	17 5/16" (440mm)
Shipping Weight:	158.7 lbs. (72kg)
Shipping Dimensions:	36-3/4" (933mm) L x 21" (545mm) W x 31" (802mm) H

INSTALLATION NOTES

- For use with potable water only. Do not use with recycled water.



TOTO®

These dimensions and specifications are subject to change without notice