

# TOTO®

# MW634584CEFG

## Supreme® II / Washlet®+ S350e One-Piece Toilet - 1.28 GPF

### FEATURES

- Concealed supply connection for seamless installation
- High-efficiency Tornado Flush® (1.28GPF/4.8LPF)
- CEFIONTECT® glaze prevents debris from sticking to ceramic surfaces for easy cleaning
- Universal Height
- Elongated front bowl
- Decorative one-piece design with high-profile tank
- Chrome trip lever
- 12" Rough-in, less supply
- Auto open/close lid
- See Spec sheet SW584T20 for WASHLET features

### MODELS

- CST634CEFGT20 - With CEFIONTECT glaze

### REQUIRED WASHLET+

- SW584T20 WASHLET®+ S350e  
Fits TOTO WASHLET+ toilet bowl models only

### COLORS/FINISHES

- Standard  
#01 Cotton

### PRODUCT SPECIFICATION

The one-piece high-efficiency Tornado Flush toilet shall be 1.28GPF/4.8LPF. Universal Height Toilet with CEFIONTECT glaze finish. Toilet shall have high-profile tank, elongated front bowl and chrome trip lever. Toilet shall be **TOTO Model CST634CEFGT20#01**.

See TOTO Specification sheet **SW584T20** for details on required WASHLET.



### CODES/STANDARDS

- Meets and exceeds ASME A112.19.2/CSA B45.1
- Certifications: IAPMO(cUPC), EPA WaterSense, State of Massachusetts, City of Los Angeles, and others
- Code compliance: UPC, IPC, NSPC, NPC Canada, and others
- Legislative Compliance: California AB715, California Green Building Code, City of Los Angeles Water Efficiency Ordinance
- ADA compliant (when installed with trip lever located on the approach side)
- Complies with CA Prop 65 warning requirements



# MS634584CEFG

## Supreme® II / WASHLET®+ S350e One-Piece Toilet - 1.28 GPF

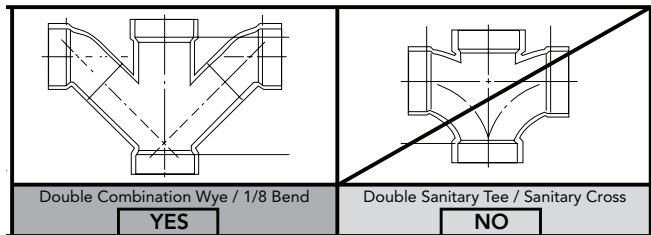
### SPECIFICATIONS

- Water Use 1.28 GPF/4.8LPF
- Flush System Tornado Flush®
- Min. Water Pressure 8 psi (flowing)
- Water Surface 7-1/8" x 9-1/8"
- Trap Diameter 2-1/8"
- Rough-in 12"
- Trap Seal 2-1/8"
- Warranty One Year Limited Warranty
- Material Vitreous china
- Shipping Weight CST634CEFGT20 104lbs.  
SW584T20 13.5lbs.
- Shipping Dimensions CST634CEFGT20  
29-1/2" L x 18" W  
x 19-1/4" H<sup>1</sup> x 27-1/8" H<sup>2</sup>  
SW584T20  
23" X 19-1/4" X 5-1/2"
- See Spec sheet **SW584T20** for Washlet details

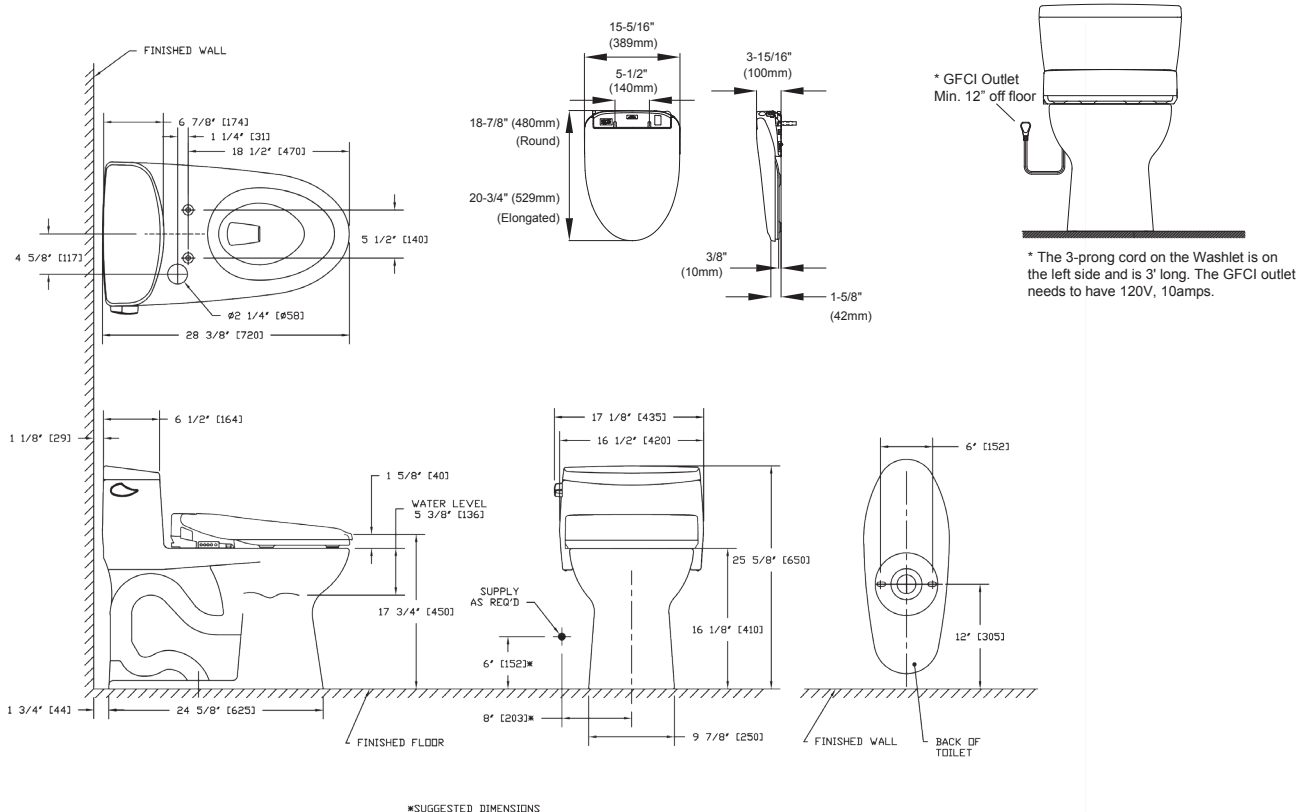
### INSTALLATION NOTES

#### Back-to-Back Toilet Installations:

TOTO recommends the use of a nationally listed, double sanitary tee-wye only, in vertical waste stacks, in accordance with the stipulations noted in the majority of nationally recognized plumbing codes.



To maintain adequate wall gap between the back of the tank and wall, mount the floor flange at a nominal 12" rough-in distance.



**TOTO**

These dimensions and specifications are subject to change without notice