

# INSTALLATION INSTRUCTIONS



## One-Piece Toilet

MODEL: IVY® SM-1T112

Share your pictures for a feature!  
using #SwissMadison

www.swissmadison.com  
1-434-MADISON  
19 Stults Road, Dayton, NJ 08810

To ensure this product is installed properly, please read these instructions carefully before you begin. (Certain Installation may require professional help.)

**CAUTION: PRODUCT IS FRAGILE. TO AVOID BREAKAGE AND POSSIBLE INJURY HANDLE WITH CARE!**  
NOTE: Pictures may not exactly define contour of china and components.

### RECOMMENDED TOOLS AND MATERIALS

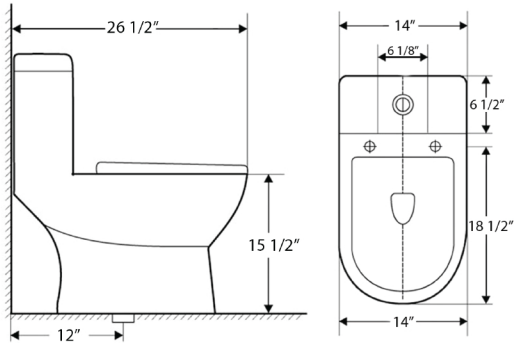
Putty Knife	Regular Screwdriver	Adjustable Wrench	Sealant	Tape Measure
Hacksaw	Wax Ring/Gasket	Flexible Supply Tube	Closet Bolts	Carpenters Level

#### 1 REMOVE OLD TOILET

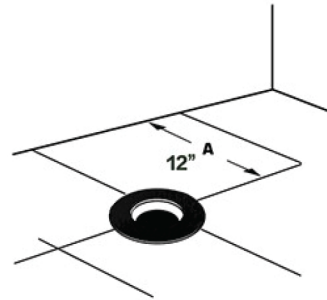
- Close toilet supply valve and flush tank completely. Towel or sponge remaining water from tank and bowl.
  - Disconnect and remove supply line. NOTE: If replacing valve, first shut off main water supply!
  - Remove old mounting hardware, remove toilet and plug floor waste opening to prevent escaping sewer gases.
  - Remove closet bolts from flange and clean away old wax, putty, etc. from base area.
- NOTE: Mounting surface must be clean and level before new toilet is installed!

#### 2 ROUGHING-IN DIMENSIONS:

NOTE: Distance from wall to closet flange centerline must be as listed below:

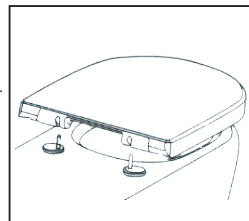


#### 3



#### 4

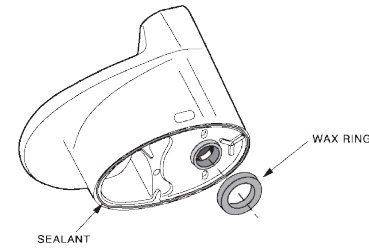
- Insert the inner rubber screw part into the bowl holes, then tighten leaving it slightly loose.
- Temporarily add the seat in order to position the inner screws for most accurate seat to bowl fit.
- After perfectly positioning the inner screws and the seat aligns with the bowl, remove the seat and tighten the inner screws, then add the chrome cap.
- After installing the toilet, simply clip on the seat to chrome hinges.



## ONE PIECE TOILET

## INSTALLATION INSTRUCTIONS

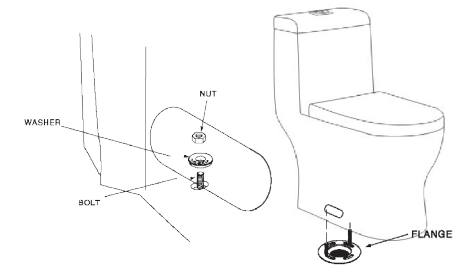
#### 5



#### INSTALL WAX SEAL

Invert toilet on floor (cushion to prevent damage), and install wax ring evenly around waste flange (horn), with tapered end of ring facing toilet. Apply a thin bead of sealant around toilet base.

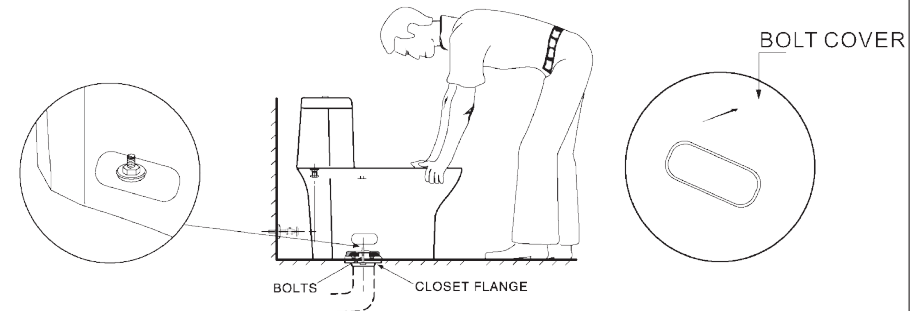
#### 6



#### POSITION TOILET ON FLANGE

- Unplug floor waste opening and install toilet on closet flange so bolts project through mounting holes.
- Loosely install retainer washers and nuts. Side of washers marked "THIS SIDE UP" must face up!

#### 7



#### INSTALL TOILET

- Position toilet squarely to wall and, with a rocking motion, press bowl down fully on wax ring and flange. Alternately tighten nuts until toilet is firmly seated on floor.

**CAUTION: DO NOT OVERTIGHTEN NUTS OR BASE MAY BE DAMAGED!**

- Adhere bolt covers to toilet.
- Smooth off the bead of sealant around base. Remove excess sealant.



Meets the Americans With Disabilities Act (ADA) guidelines and ANSI A117.1 requirements for accessible building facilities. Check local codes