





Assembly Instruction

! READ ALL INSTRUCTIONS BEFORE UNPACKING THE PRODUCT

INSTRUCTIONS THAT, IF IGNORED COULD RESULT IN DEATH OR SERIOUS INJURY CAUSED BY INCORRECT HANDLING OR INSTALLATION OF THE PRODUCT. THESE INSTRUCTIONS MUST BE OBSERVED FOR SAFE INSTALLATION.

CAUTION!  **TWO PERSON LIFT REQUIRED** **2 PEOPLE ARE REQUIRED TO LIFT AND DURING ENTIRE INSTALLATION OF THIS PRODUCT**

 **INSTALLATION OF THIS PRODUCTS BY AN INEXPERIENCED INSTALLER MAY RESULT PERSONAL INJURY OR DEATH!** 

We reserves the right to change, update, modify, alter, redesign this manual/product or its policies without prior notice!
It is your responsibility to visit website to download or contact customer service for the most updated version of the installation instructions.

We shall not be liable for any injuries or property damages in connection with this product during installation or use of this product!

Limited warranty is void on any commercial installation.

We are not responsible for local code compliance for this product. Building and plumbing codes may vary from state-to-state in accordance to your location. We are not responsible for providing any compliance certifications.

We are not responsible to provide any type of certifications for this product.

Under no circumstances we are shall not be liable for any and all incidental damages sustained in connection with this product Neither manufacture, nor distributor, nor retailer is responsible for water damage or flood caused due to use of this product.

Under no circumstances We shall not be liable for any and all fees, cost of installation/reinstallation/removal, subsequent damage or transportation in case of the product defect.

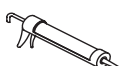
TOOLS REQUIRED FOR INSTALLATION



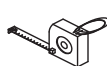
Soft Cloth
or Blanket



Silicone



Silicone/
Caulk Gun



Tape
Measure



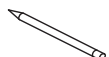
Hammer



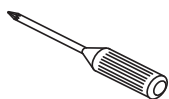
Safety Glass



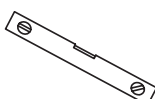
Knife



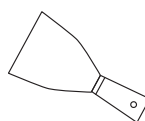
Pencil/Marker



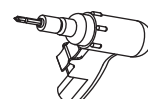
Phillips
Screwdriver



Level



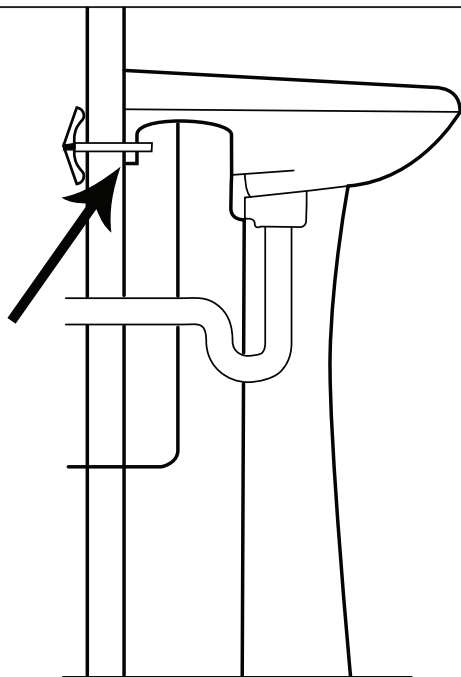
Putty Knife



Drill

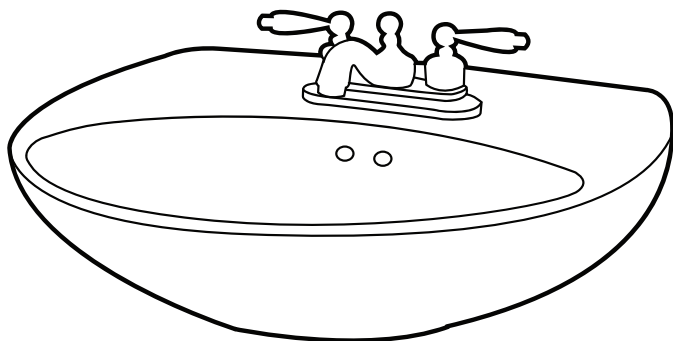


Drill Bit



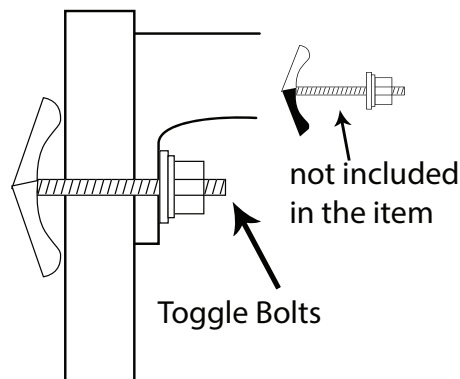
STEP #1

Locate proper position for Pedestal. Make sure you have access to all plumbing and drain fittings. Also check door clearance or any other obstruction. Place Basin on Pedestal and move into desired position against wall. Making sure sink is level, mark with pencil the location of Basin support holes on the wall.



STEP #2

Carefully remove Basin from Pedestal and install faucet and pop up assembly as per manufacturers instructions.



STEP #3

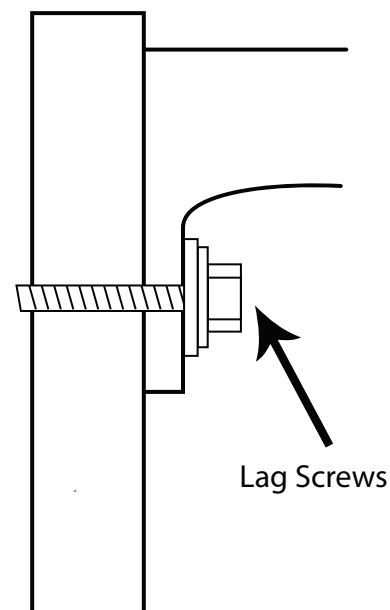
If using toggle bolts, push them through the back-side of the Basin. Place rubber washer, steel washer and hex nut on end of bolt, in that order.

Next place Basin on Pedestal and move back into desired position on the wall while at the same time pushing toggle bolts through pre-drilled holes. If using Lag Screws, place washers accordingly and fasten sink Basin directly into stud.

STEP #4

Tighten hex nut or toggle bolt until sink Basin is snug to wall.

1. Do not over tighten as this will damage sink.
2. The mounting lip is not designed to hold the weight of the Basin. Be sure Pedestal is supporting the Basin.



STEP #5

Apply a bead of caulking between back of sink and wall. Also caulk where the Basin joins the Pedestal and finally at the base of the Pedestal.

Complete the final plumbing and drain assembly according to the manufacturers instructions.

