

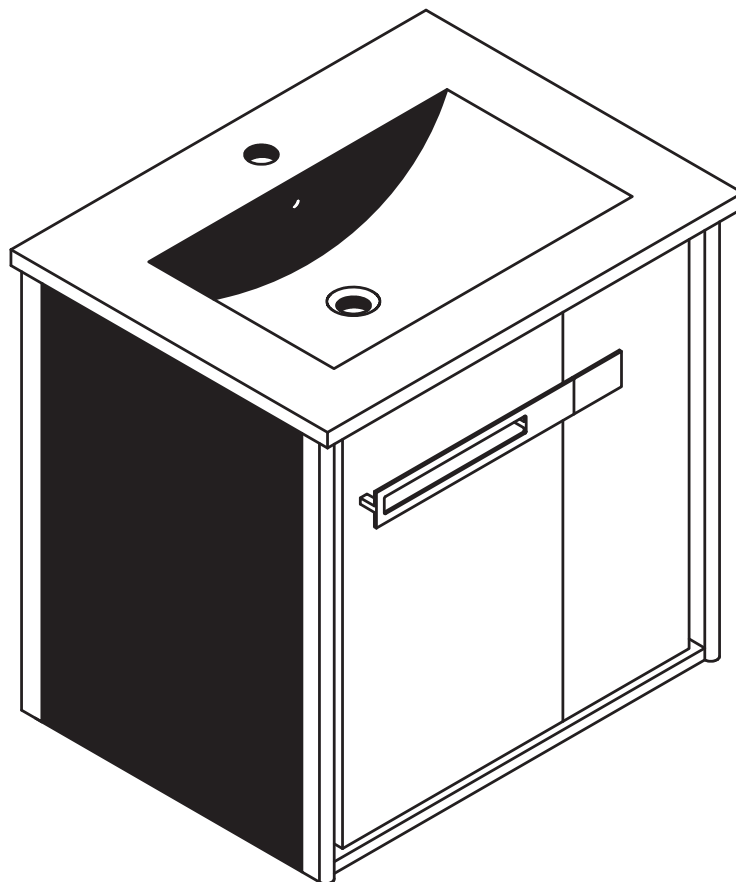
INSTALLATION INSTRUCTIONS

OAKVILLE VANITY COLLECTION

24"

FLOOR STANDING Pages 3 - 7

WALL HUNG Pages 8 - 12



MODEL# OK24

! READ ALL INSTRUCTIONS BEFORE UNPACKING THE PRODUCT

INSTRUCTIONS THAT, IF IGNORED COULD RESULT IN DEATH OR SERIOUS INJURY CAUSED BY INCORRECT HANDLING OR INSTALLATION OF THE PRODUCT. THESE INSTRUCTIONS MUST BE OBSERVED FOR SAFE INSTALLATION.

CAUTION! TWO PERSON LIFT REQUIRED **2 PEOPLE ARE REQUIRED TO LIFT AND DURING ENTIRE INSTALLATION OF THIS PRODUCT**



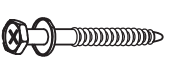



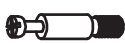





! INSTALLATION OF THIS PRODUCTS BY AN INEXPERIENCED INSTALLER MAY RESULT PERSONAL INJURY OR DEATH! !

We reserves the right to change, update, modify, alter, redesign this manual/product or its policies without prior notice!
 It is your responsibility to visit website to download or contact customer service for the most updated version of the installation instructions.
 We shall not be liable for any injuries or property damages in connection with this product during installation or use of this product!

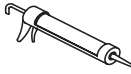
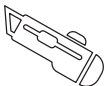
- * LIMITED WARRANTY IS VOID ON ANY COMMERCIAL INSTALLATION.
- * WE ARE NOT RESPONSIBLE FOR LOCAL CODE COMPLIANCE FOR THIS PRODUCT.
- * BUILDING AND PLUMBING CODES MAY VARY FROM STATE-TO-STATE IN ACCORDANCE TO YOUR LOCATION.
- * WE ARE NOT RESPONSIBLE FOR PROVIDING ANY COMPLIANCE CERTIFICATIONS.
- * WE ARE NOT RESPONSIBLE TO PROVIDE ANY TYPE OF CERTIFICATIONS FOR THIS PRODUCT.
- * UNDER NO CIRCUMSTANCES WE SHALL NOT BE LIABLE FOR ANY AND ALL INCIDENTAL DAMAGES SUSTAINED IN CONNECTION WITH THIS PRODUCT NEITHER MANUFACTURE, NOR DISTRIBUTOR, NOR RETAILER IS RESPONSIBLE FOR WATER DAMAGE OR FLOOD CAUSED DUE TO USE OF THIS PRODUCT.
- * UNDER NO CIRCUMSTANCES WE SHALL NOT BE LIABLE FOR ANY AND ALL FEES, COST OF INSTALLATION/REINSTALLATION/REMOVAL, SUBSEQUENT DAMAGE OR TRANSPORTATION IN CASE OF THE PRODUCT DEFECT.

FLOOR STANDING VANITY COMPONENTS

DURING UNPACKING THE PRODUCT AND PRIOR TO INSTALLATION INSPECT YOUR NEW PRODUCT FOR ANY DAMAGES OR MISSING PARTS.
 DO NOT ATTEMPT TO INSTALL OR OPERATE THE PRODUCT IF THE PRODUCT IS DAMAGED.

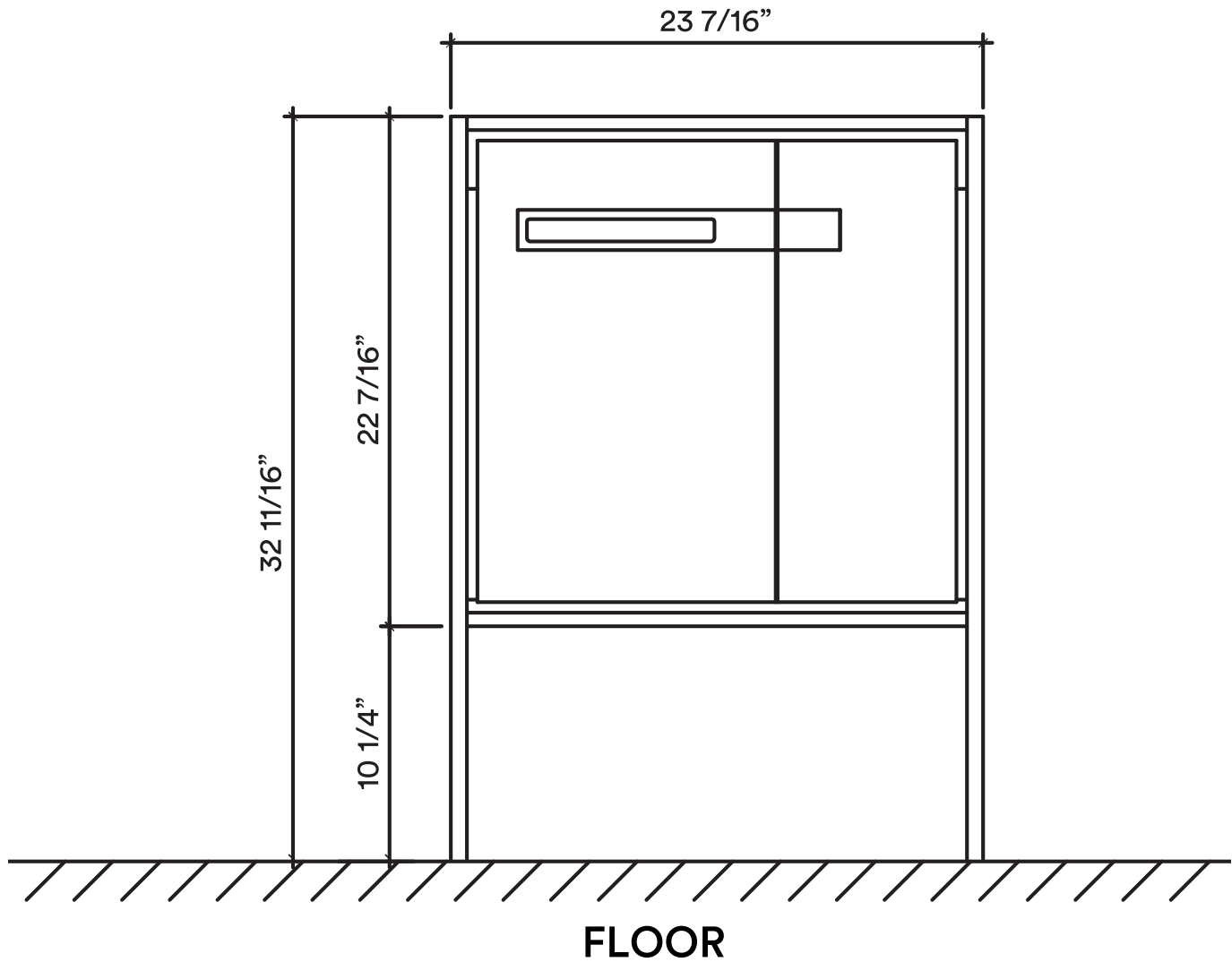
Part A		4 Pieces	Part G		2 Pieces
Part B		4 Pieces	Part H	 (M4*0.47")	6 Pieces
Part C		4 Pieces	Part I	 (M4*0.86")	6 Pieces
Part D		6 Pieces	Part J		1 Pieces
Part E		6 Pieces	Part K		1 Pieces
Part F		1 Pieces	Part L		2 Pieces

TOOLS REQUIRED

-  Silicone
-  Safety Glass
-  Level
-  Silicone/Caulk Gun
-  Tape Measure
-  Hammer
-  Knife
-  Pencil/Marker
-  Philips Screwdriver
-  Soft Cloth or Blanket
-  Drill
-  Drill Bit

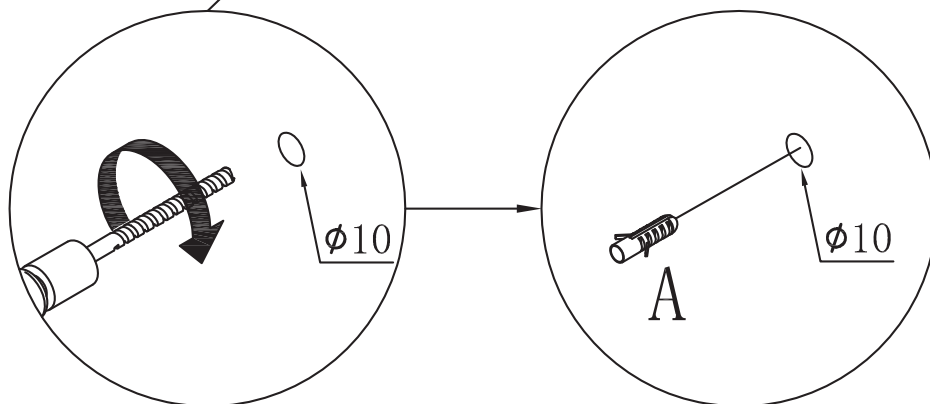
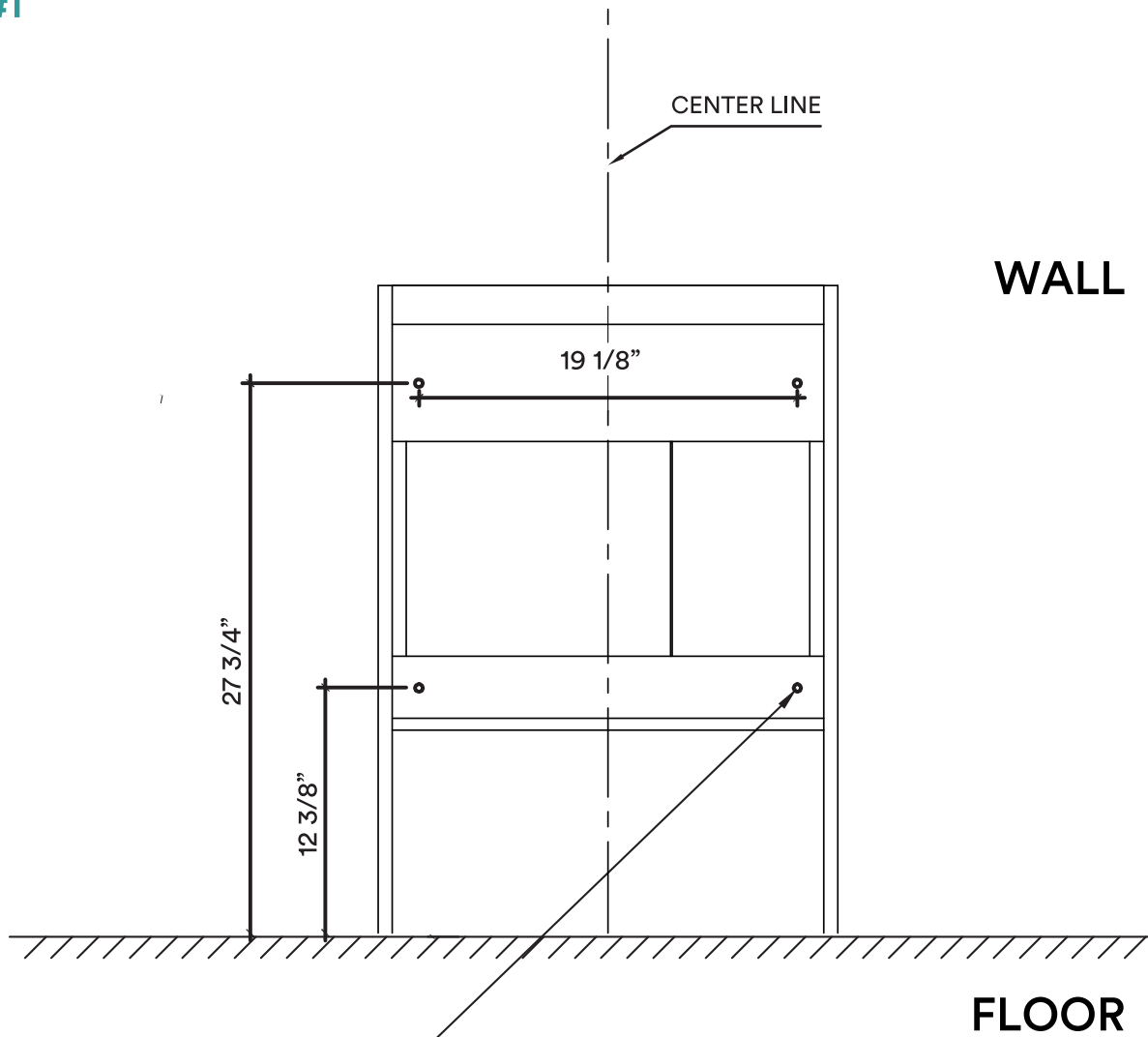
FLOOR STANDING

**DIMENSIONS/TECHNICAL DATA
MODEL# OK24**

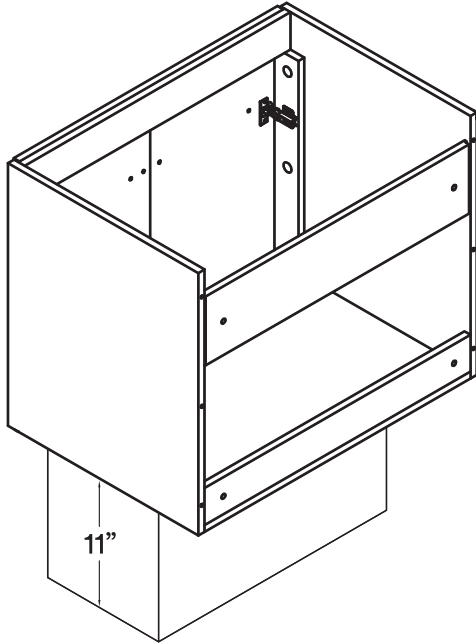


*ATTENTION! Dimensions may vary by up to 3/8".
It is highly recommended to pull all dimensions of actual model for installation and measuring purposes.*

STEP #1

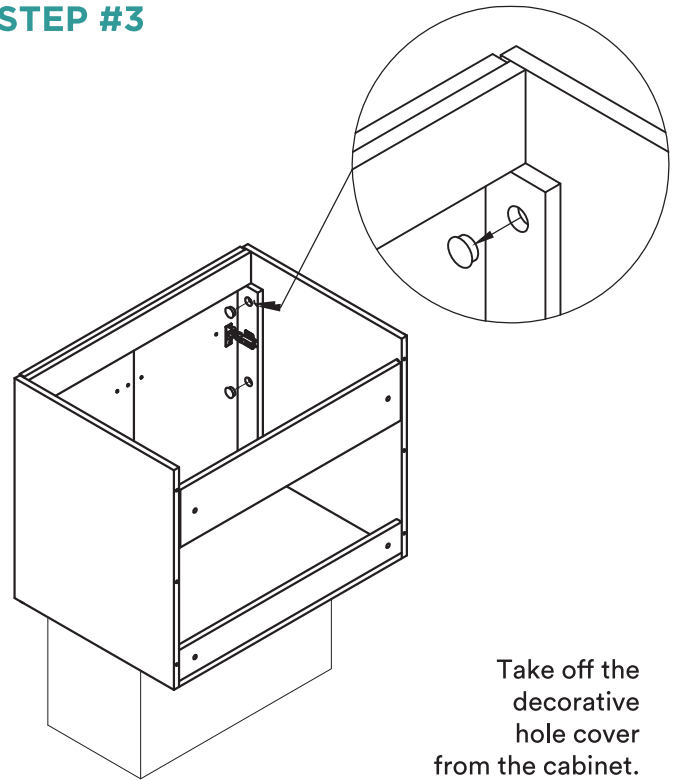


STEP #2



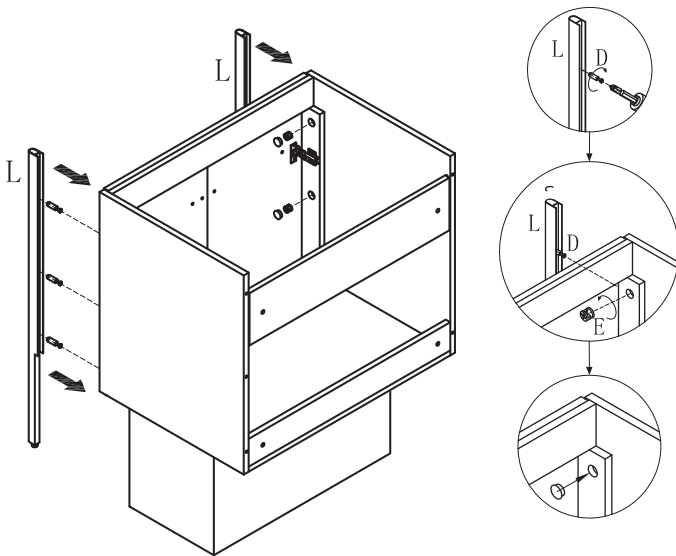
Put the cabinet above 11" from the floor.

STEP #3



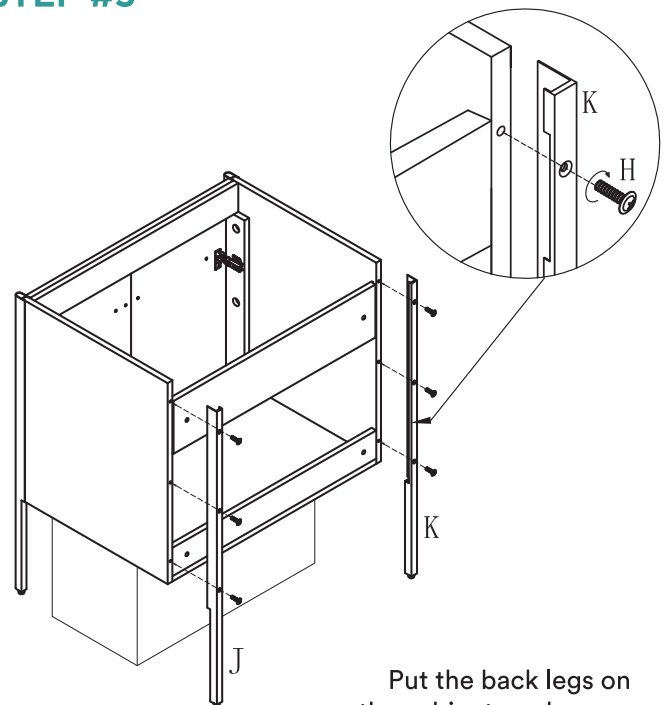
Take off the decorative hole cover from the cabinet.

STEP #4



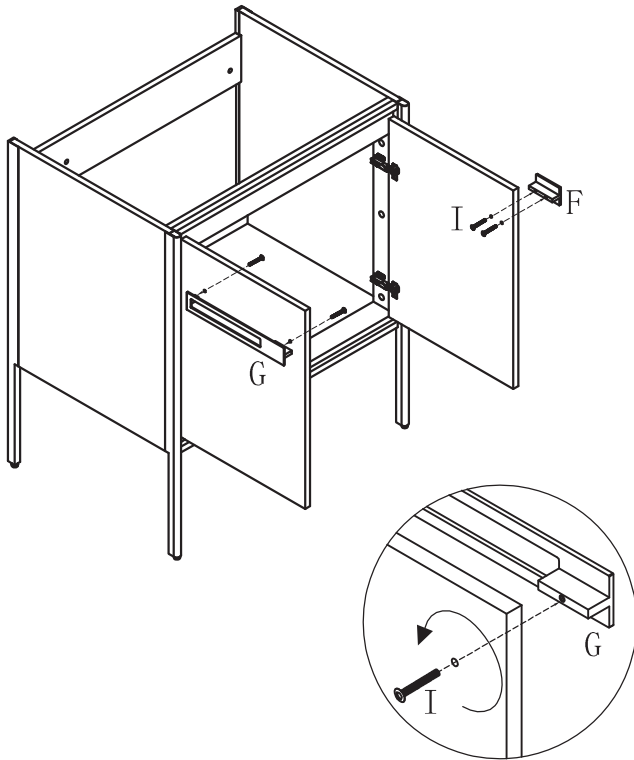
Install screw part D on the front legs, Put the legs on the cabinet and screw the cam-lock E tightly, re-cover the decorative hole cover on the panel.

STEP #5

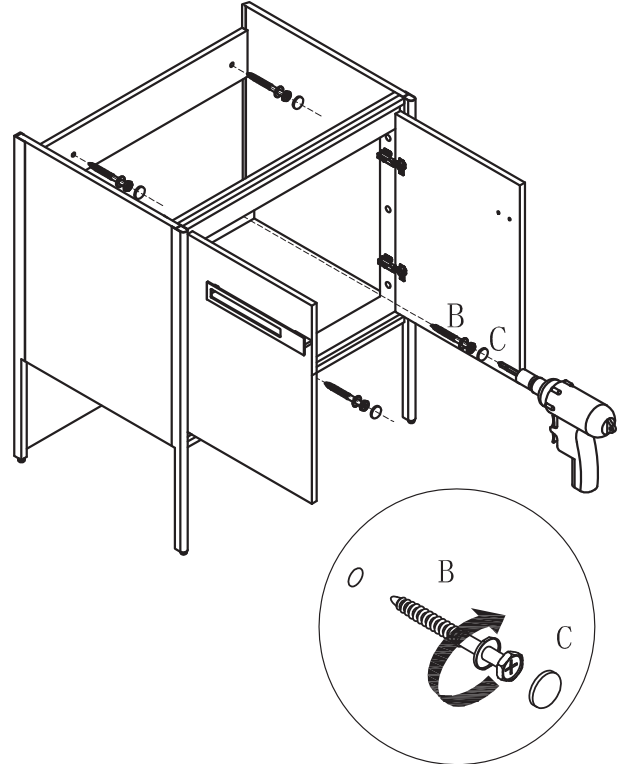


Put the back legs on the cabinet, and screw part H on the legs.

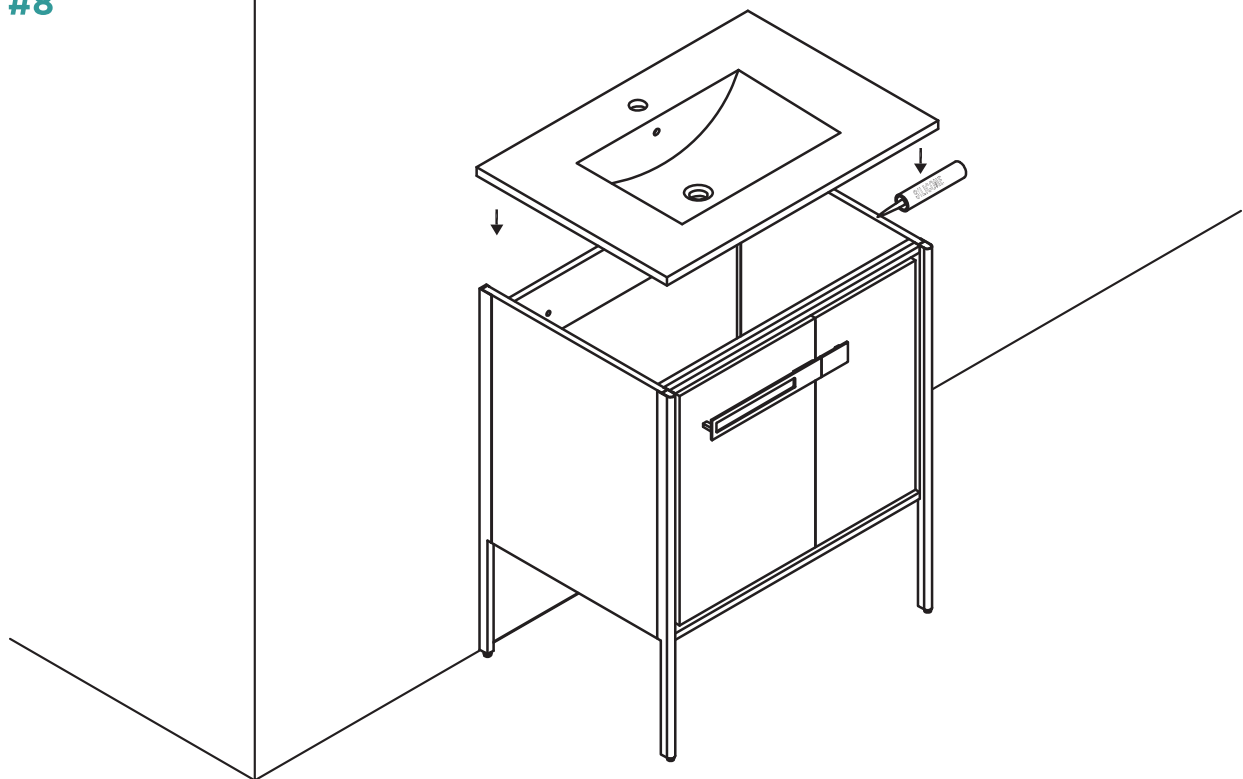
STEP #6



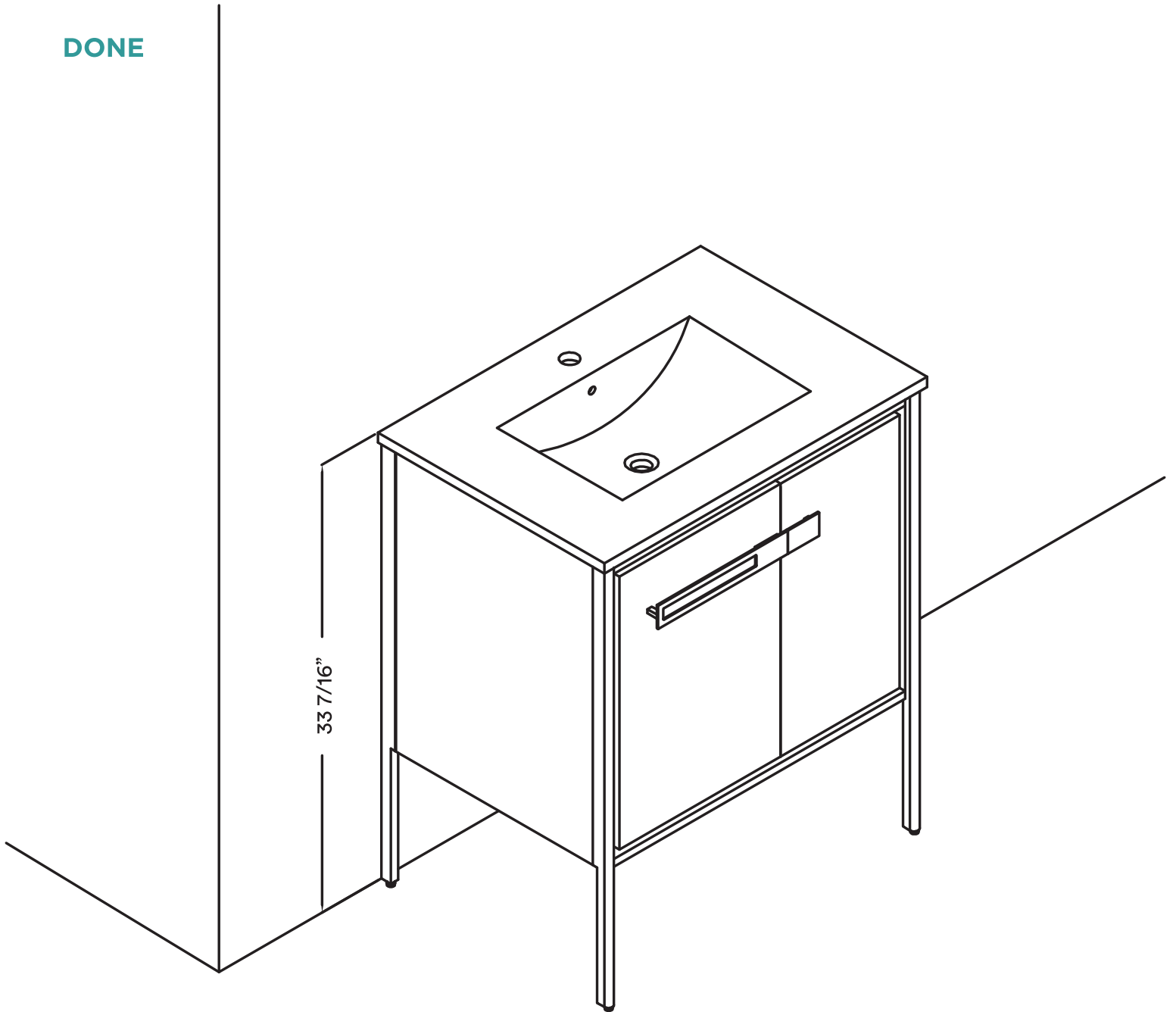
STEP #7



STEP #8



DONE



RETAIN THIS INSTALLATION MANUAL
FOR FUTURE REFERENCE.

Thank you for choosing FINE FIXTURES.

⚠️ READ ALL INSTRUCTIONS BEFORE UNPACKING THE PRODUCT

INSTRUCTIONS THAT, IF IGNORED COULD RESULT IN DEATH OR SERIOUS INJURY CAUSED BY INCORRECT HANDLING OR INSTALLATION OF THE PRODUCT. THESE INSTRUCTIONS MUST BE OBSERVED FOR SAFE INSTALLATION.

CAUTION!  TWO PERSON LIFT REQUIRED **2 PEOPLE ARE REQUIRED TO LIFT AND DURING ENTIRE INSTALLATION OF THIS PRODUCT**



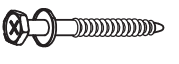
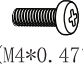








⚠️ INSTALLATION OF THIS PRODUCTS BY AN INEXPERIENCED INSTALLER MAY RESULT PERSONAL INJURY OR DEATH! ⚠️

We reserves the right to change, update, modify, alter, redesign this manual/product or its policies without prior notice!
 It is your responsibility to visit website to download or contact customer service for the most updated version of the installation instructions.
 We shall not be liable for any injuries or property damages in connection with this product during installation or use of this product!

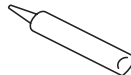

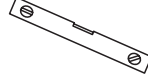
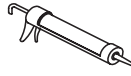
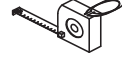

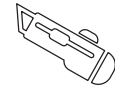
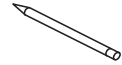
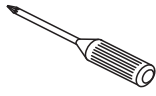
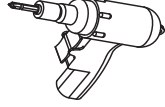

- * LIMITED WARRANTY IS VOID ON ANY COMMERCIAL INSTALLATION.
- * WE ARE NOT RESPONSIBLE FOR LOCAL CODE COMPLIANCE FOR THIS PRODUCT.
- * BUILDING AND PLUMBING CODES MAY VARY FROM STATE-TO-STATE IN ACCORDANCE TO YOUR LOCATION.
- * WE ARE NOT RESPONSIBLE FOR PROVIDING ANY COMPLIANCE CERTIFICATIONS.
- * WE ARE NOT RESPONSIBLE TO PROVIDE ANY TYPE OF CERTIFICATIONS FOR THIS PRODUCT.
- * UNDER NO CIRCUMSTANCES WE SHALL NOT BE LIABLE FOR ANY AND ALL INCIDENTAL DAMAGES SUSTAINED IN CONNECTION WITH THIS PRODUCT NEITHER MANUFACTURE, NOR DISTRIBUTOR, NOR RETAILER IS RESPONSIBLE FOR WATER DAMAGE OR FLOOD CAUSED DUE TO USE OF THIS PRODUCT.
- * UNDER NO CIRCUMSTANCES WE SHALL NOT BE LIABLE FOR ANY AND ALL FEES, COST OF INSTALLATION/REINSTALLATION/REMOVAL, SUBSEQUENT DAMAGE OR TRANSPORTATION IN CASE OF THE PRODUCT DEFECT.

WALL HUNG VANITY COMPONENTS

DURING UNPACKING THE PRODUCT AND PRIOR TO INSTALLATION INSPECT YOUR NEW PRODUCT FOR ANY DAMAGES OR MISSING PARTS.
 DO NOT ATTEMPT TO INSTALL OR OPERATE THE PRODUCT IF THE PRODUCT IS DAMAGED.

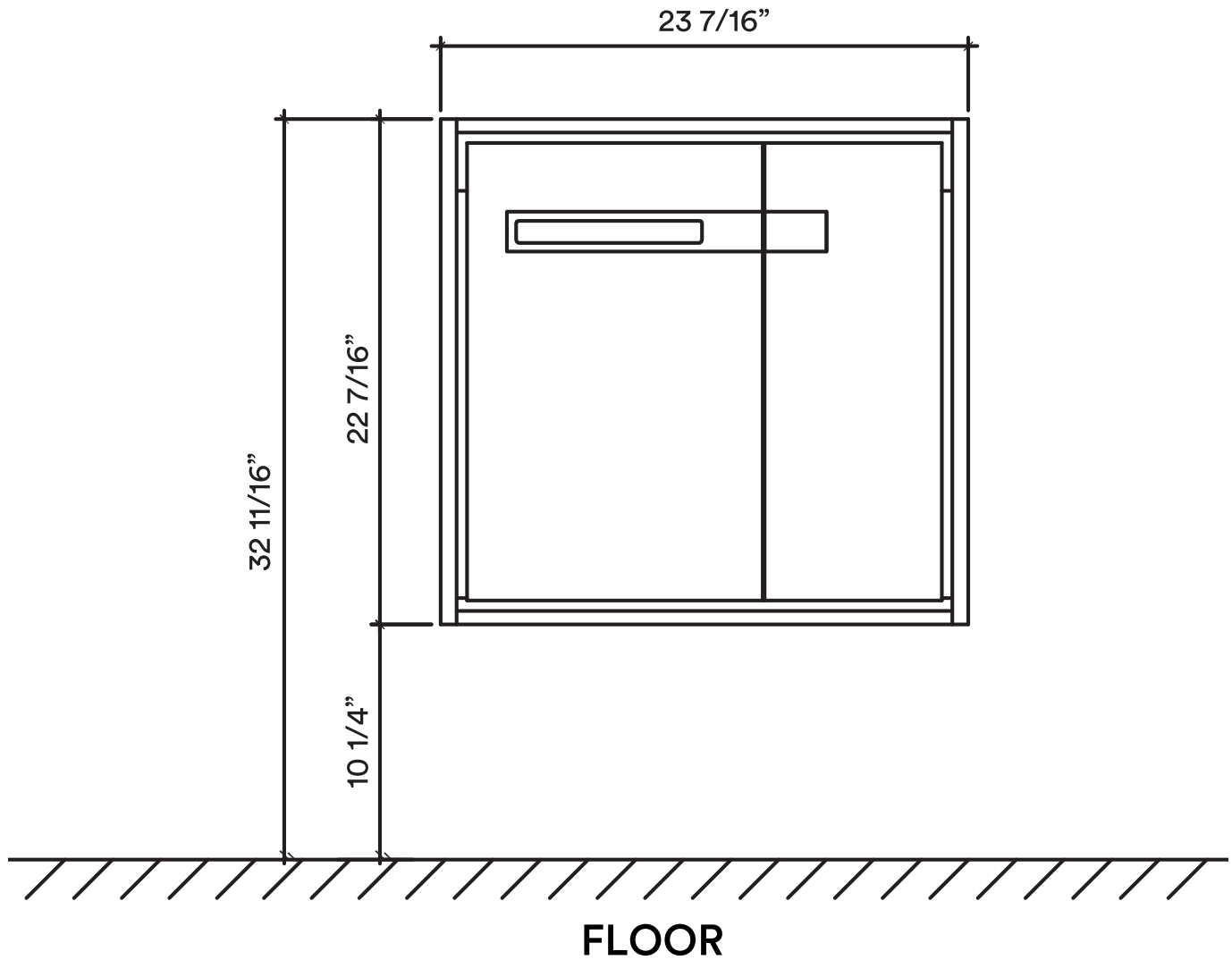
Part A		4 Pieces	Part G		1 Pieces
Part B		4 Pieces	Part H	 (M4*0.47")	6 Pieces
Part C		4 Pieces	Part I	 (M4*0.86")	4 Pieces
Part D		6 Pieces	Part J		1 Pieces
Part E		6 Pieces	Part K		1 Pieces
Part F		1 Pieces	Part L		2 Pieces

TOOLS REQUIRED

-  Silicone
-  Safety Glass
-  Level
-  Silicone/
Caulk Gun
-  Tape Measure
-  Hammer
-  Knife
-  Pencil/Marker
-  Phillips
Screwdriver
-  Soft Cloth
or Blanket
-  Drill
-  Drill Bit

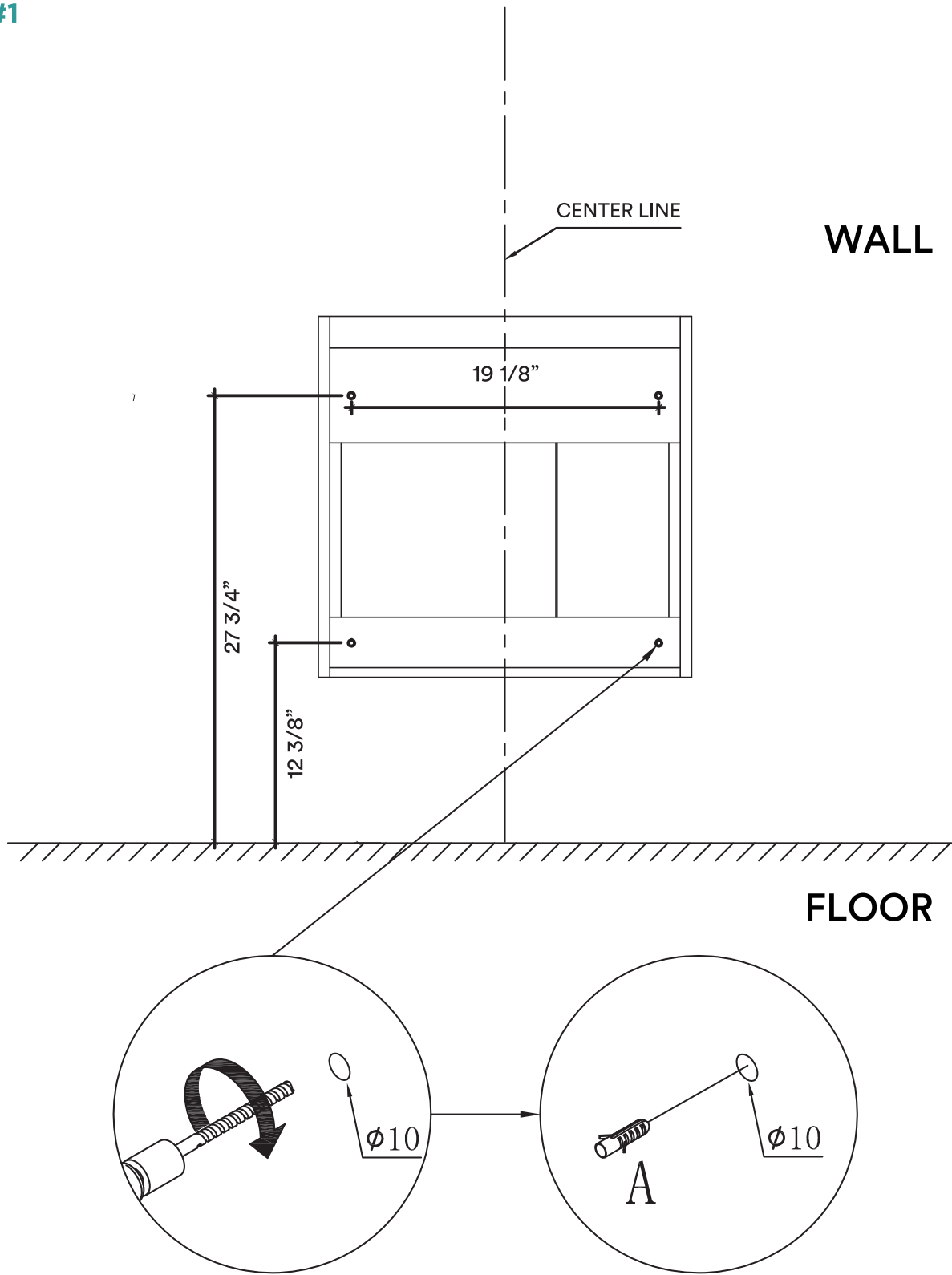
WALL HUNG

DIMENSIONS/TECHNICAL DATA
MODEL# OK24

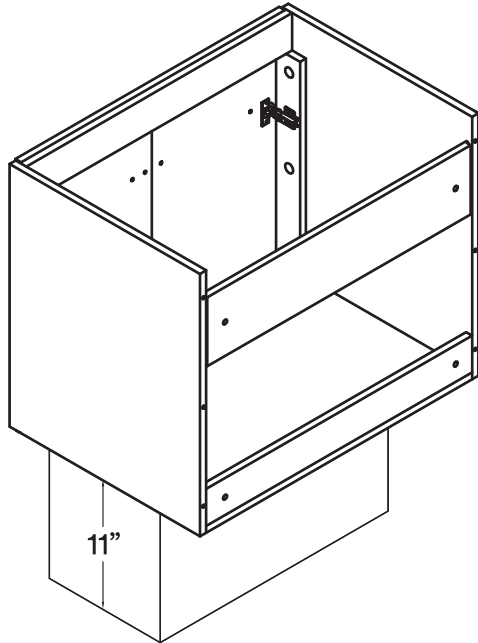


*ATTENTION! Dimensions may vary by up to 3/8".
It is highly recommended to pull all dimensions of actual model for installation and measuring purposes.*

STEP #1

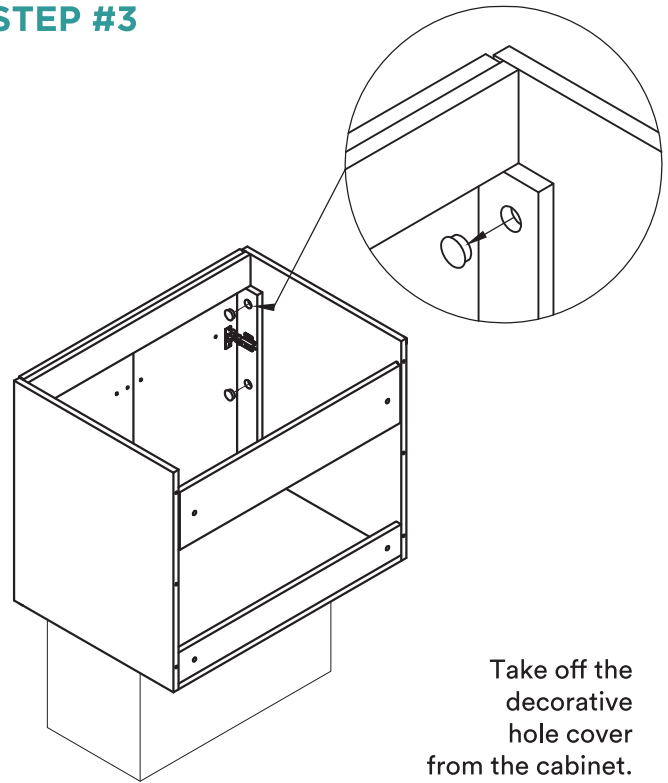


STEP #2



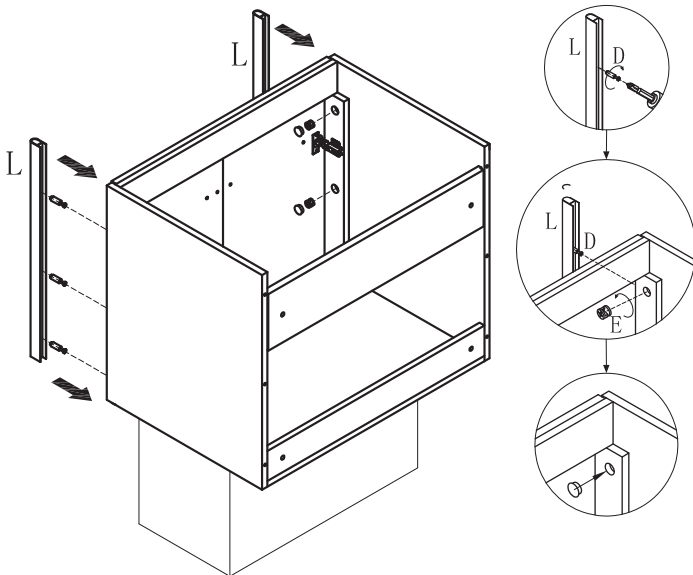
Place the cabinet on an objet (box, small table, etc.)

STEP #3



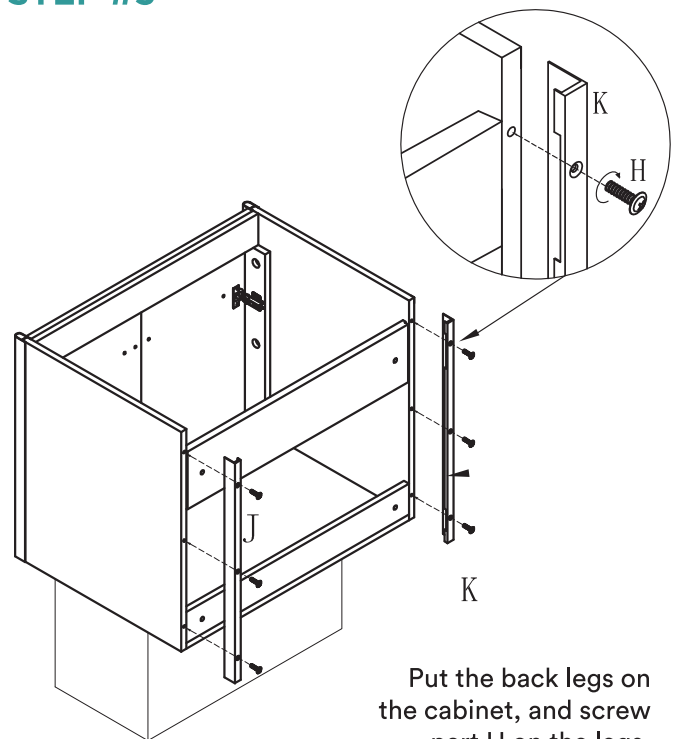
Take off the decorative hole cover from the cabinet.

STEP #4



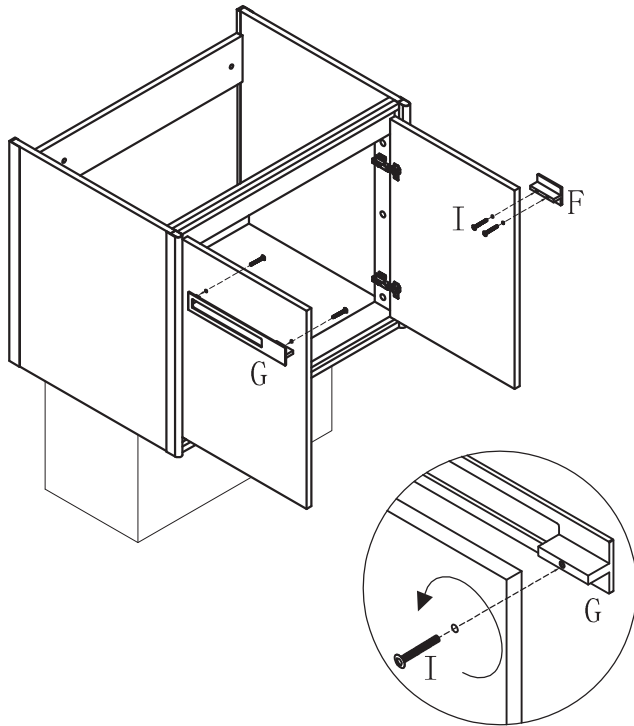
Install screw part D on the front legs, Put the legs on the cabinet and screw the cam-lock E tightly, re-cover the decorative hole cover on the panel.

STEP #5

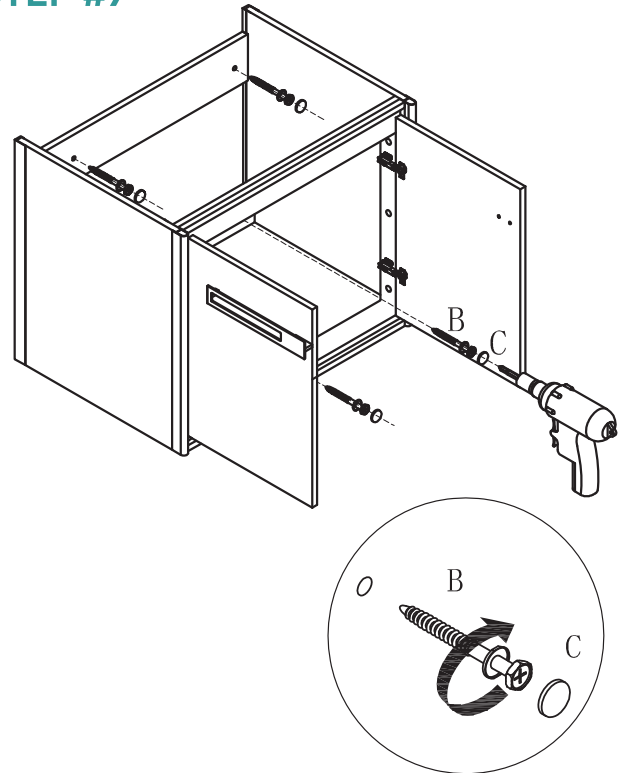


Put the back legs on the cabinet, and screw part H on the legs.

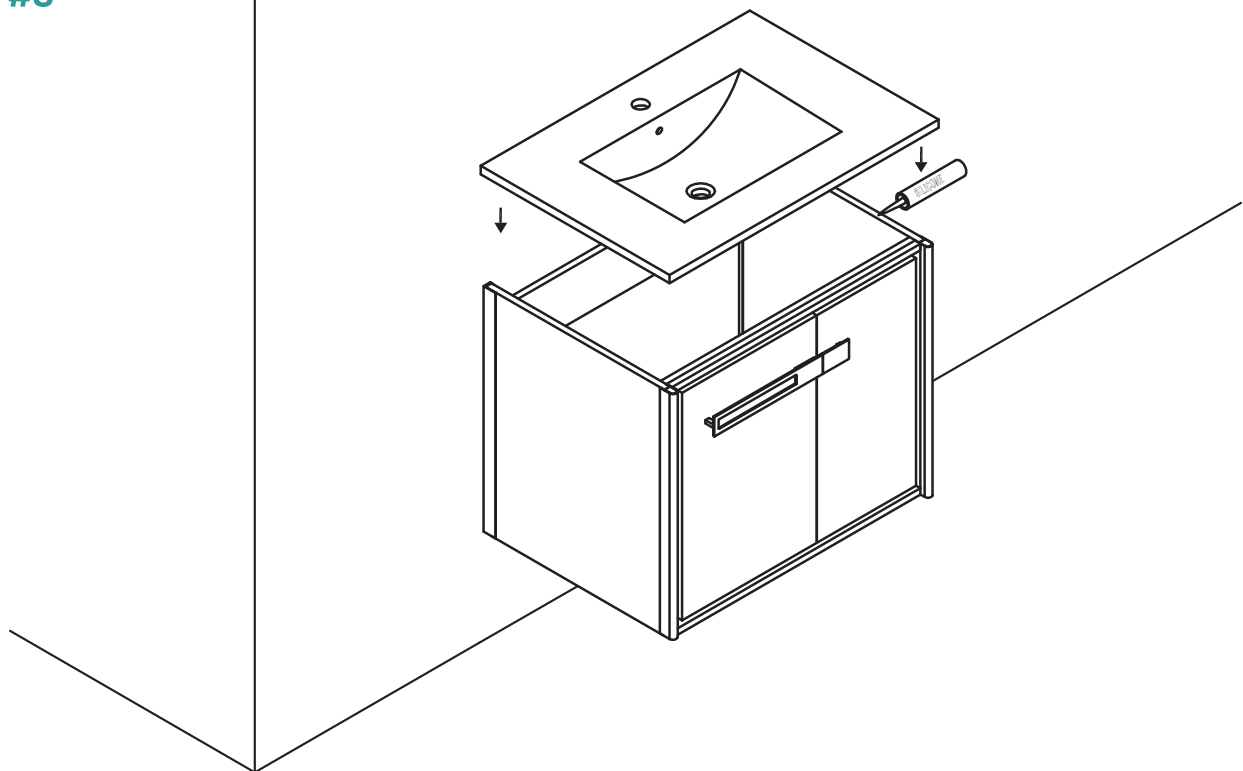
STEP #6



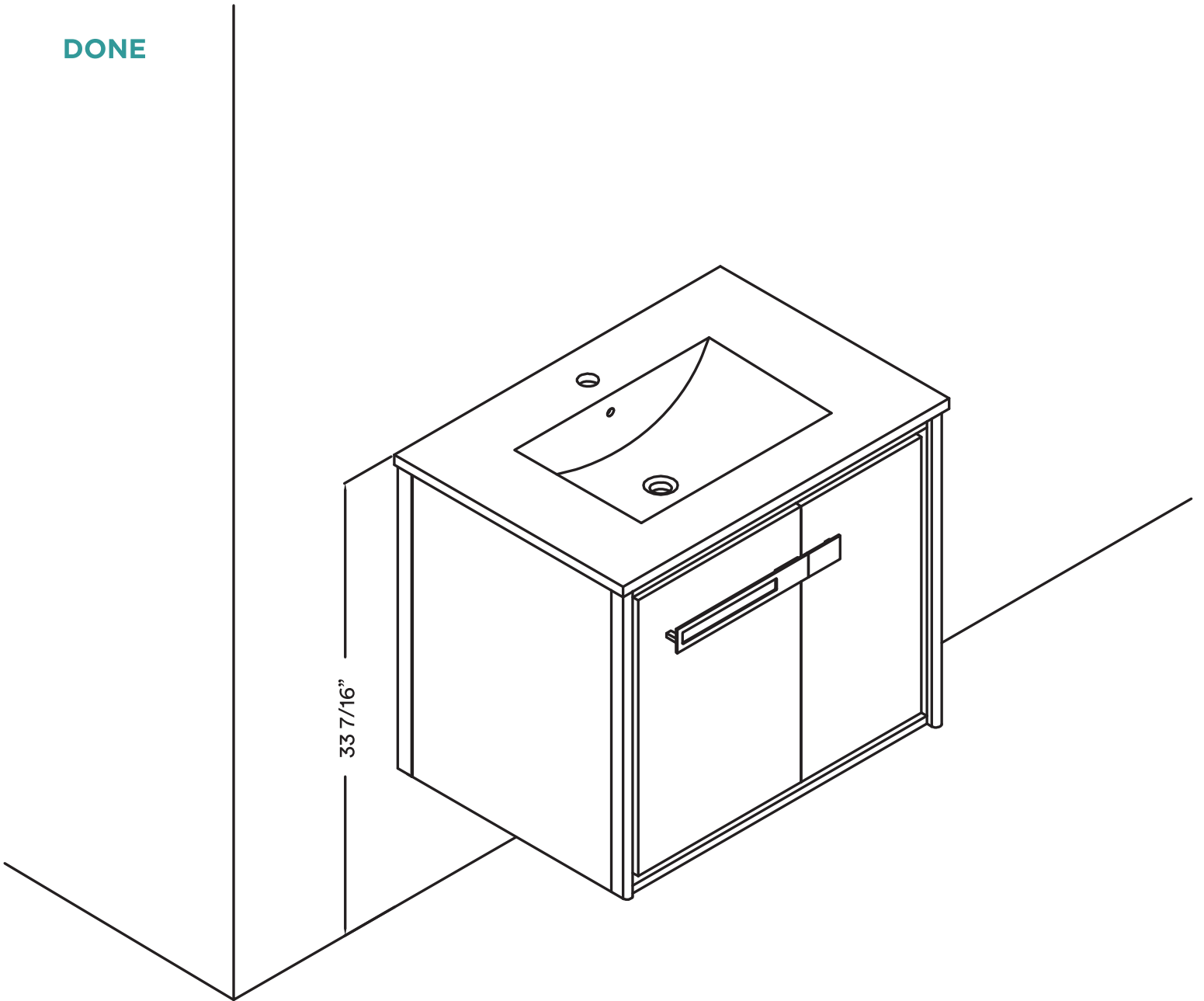
STEP #7



STEP #8



DONE



RETAIN THIS INSTALLATION MANUAL
FOR FUTURE REFERENCE.

Thank you for choosing FINE FIXTURES.