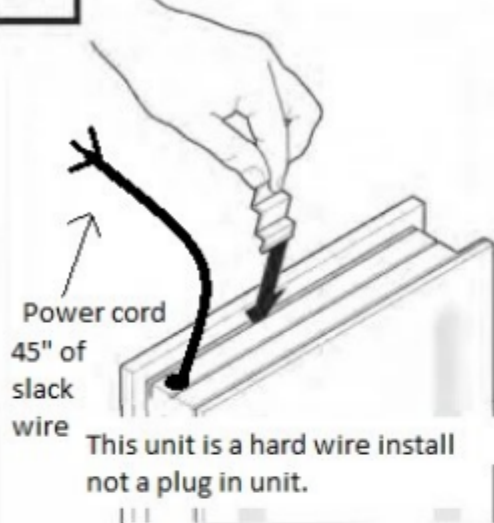


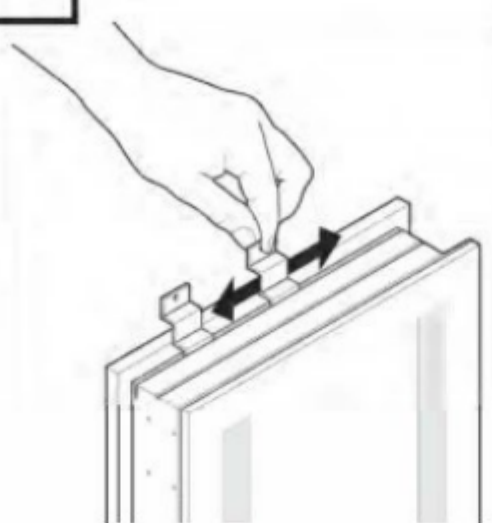
1



This unit is a hard wire install not a plug in unit.

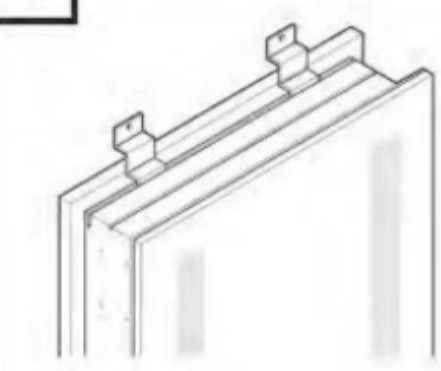
Slip first support bracket in through center slot then slide to the left.

2



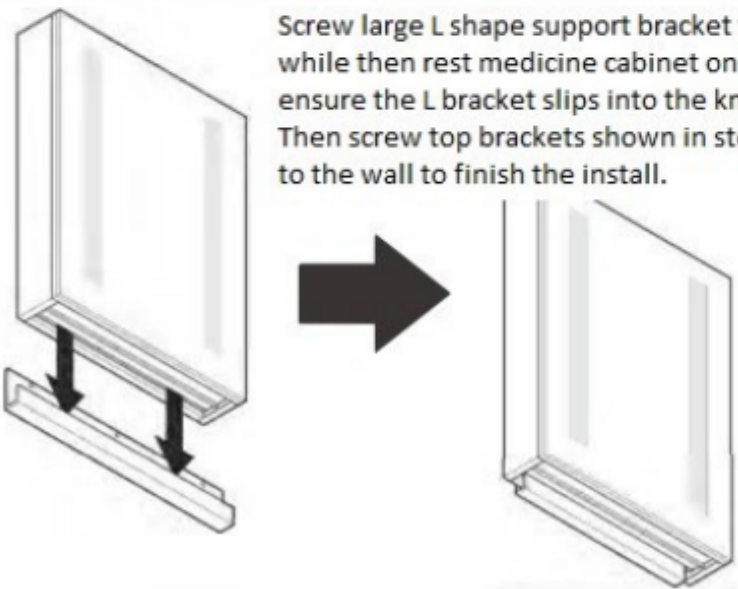
Slip second support bracket in through the top and slide to the right.

3



Note: Only slip the support brackets in place on the medicine cabinet. Do not screw into the wall just yet.

4



Screw large L shape support bracket to wall while then rest medicine cabinet on top and ensure the L bracket slips into the notch. Then screw top brackets shown in step three to the wall to finish the install.

5

Have a licensed electrician make the electrical connections to the wall. Please note this is not a plug in unit. It is a direct connection to the electrical system.

2 People Recommended for Installation

Before Installation:

Calculate center of magnification lens to facial height of user.

Inside Door

