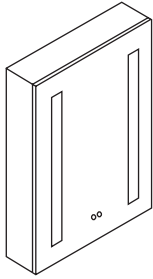


# BLOSSOM®

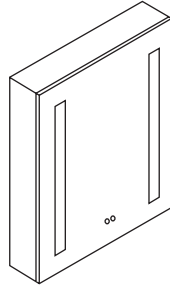
luxury made simple

## Pillar



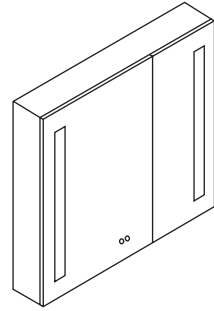
20"

MCL1 2032 (L/R)



24"

MCL1 2432 (L/R)



30"

MCL1 3032

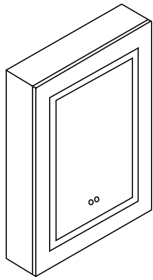
Combined with two 24"  
(MCL1 2432L + MCL1 2432R)

48"

Combined with two 30"  
(MCL1 3032 x 2)

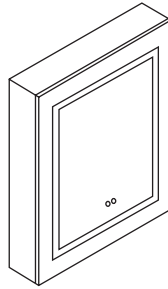
60"

## Asta



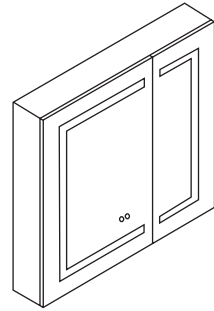
20"

MCL2 2032 (L/R)



24"

MCL2 2432 (L/R)



30"

MCL2 3032

Combined with two 24"  
(MCL2 2432L + MCL2 2432R)

48"

Combined with two 30"  
(MCL2 3032 x 2)

60"



[ MEDICINE  
CABINET ]

Specification & Installation Guide

[www.blossomus.com](http://www.blossomus.com)



## IMPORTANT SAFETY INSTRUCTIONS

When using an electrical furnishing, basic precautions should always be followed, including the following:



-  **WARNING:** To reduce the risk of burns, fire, electric shock or injury to persons. Use this furnishing only for its intended use as described in these instructions. Do not use attachments not recommended by the manufacturer. Never drop or insert any object into any opening. Do not use outdoors.
-  **WARNING:** Risk of electric shock. Connect this furnishing to a properly grounded circuit only. See grounding instructions.

## ELECTRIC CONNECTIONS

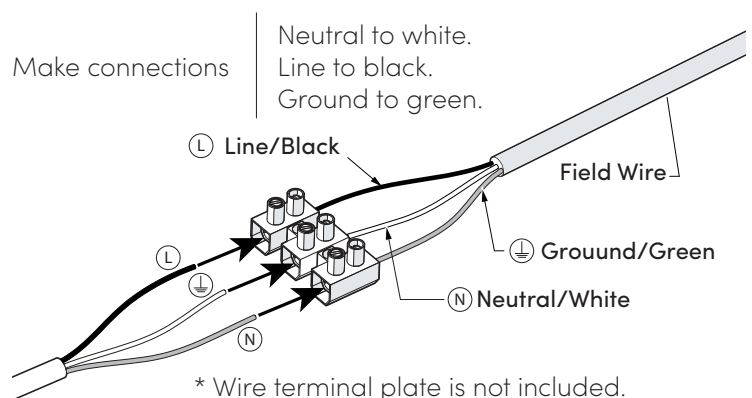
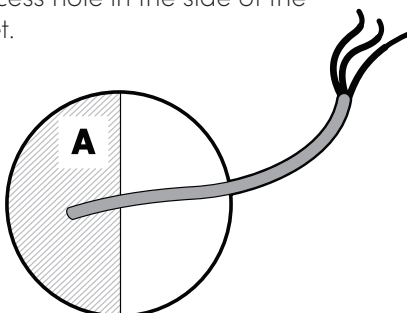
ALL WIRING SHOULD BE DONE BY A QUALIFIED LICENCED ELECTRICIAN.

-  **WARNING:** Shut off power before wiring the cabinet.
-  **CAUTION:** Requires 120 VAC 20 Amp GFI protected Circuit.

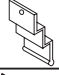
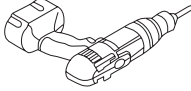
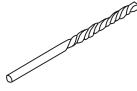
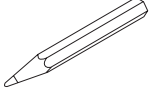
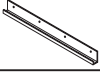

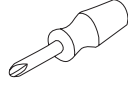




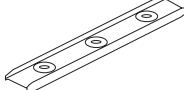
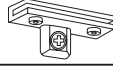
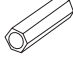
### GROUNDING INSTRUCTIONS:

-  **CAUTION:** This product must be connected to a grounded metal permanent wiring system or an equipment-grounding conductor must be run with the circuit conductors and connected to the equipment grounding terminal or lead on the product.
-  **WARNING:** An Electrical option cabinet must be wired to a 20 Amp GFI (Ground Fault Interrupter) protected circuit when used in bathrooms and all other locations required by the National Electric Code.

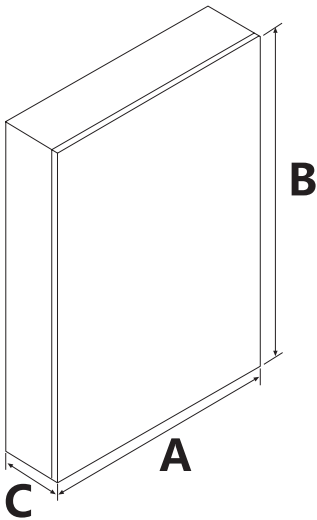
The electric wire comes through the access hole in the side of the cabinet.



# HARDWARE AND TOOLS

Hardware				Tools (not includes)		
NO.		Draw	QTY(pcs)			
A	Top mounting bracket		2-3			
B	Bottom mounting bracket		1	Electric Drill	1/8" Drill Bit	Pencil or Marker
C	Hardware screw		6-10			
D	Glass side panel		2	Screw Driver	Silicone	Tape Measure
E	Glass Shelf		3		Lever	
F	Shelf support bracket		6			
G	Connector		2			

## DIMENSIONS



**A**-Cabinet's Width  
**B**-Cabinet's Height  
**C**-Cabinet's Depth

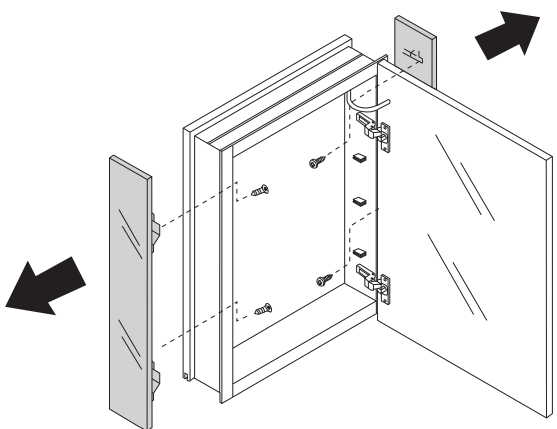
**NOTE:** Determine overall medicine cabinet dimensions. If recess medicine cabinet, determine rough-in (Wall Cut-out) dimensions.

**NOTE:** All rough-in dimensions for reference only!

Model No		Item	A	B	C	Rough in size
Pillar	MCL1 2032L	MCL1 2032R	20"	32"	5"	18-3/8" x 30-3/8" x 4"
	MCL1 2432L	MCL1 2432R	24"	32"	5"	22-3/8" X 30-3/8" x 4"
	MCL1 3032	/	30"	32"	5"	30-3/8" x 30-3/8" x 4"
Asta	MCL2 2032L	MCL2 2032R	20"	32"	5"	18-3/8" x 30-3/8" x 4"
	MCL2 2432L	MCL2 2432R	24"	32"	5"	22-3/8" X 30-3/8" x 4"
	MCL2 3032	/	30"	32"	5"	30-3/8" x 30-3/8" x 4"

## PRIOR TO MOUNTING

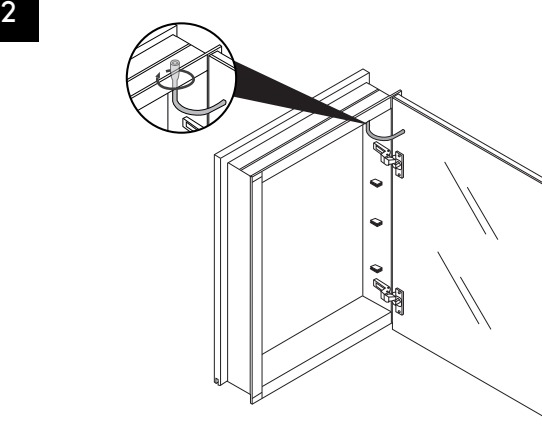
**1**



**⚠ For recess mount only!**

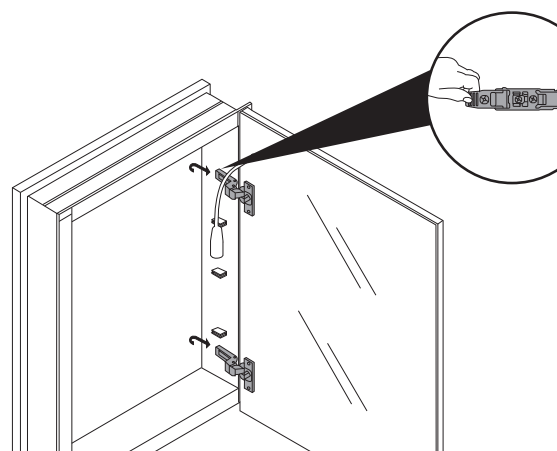
Carefully remove side mirror panels for recess mount installation.

**2**



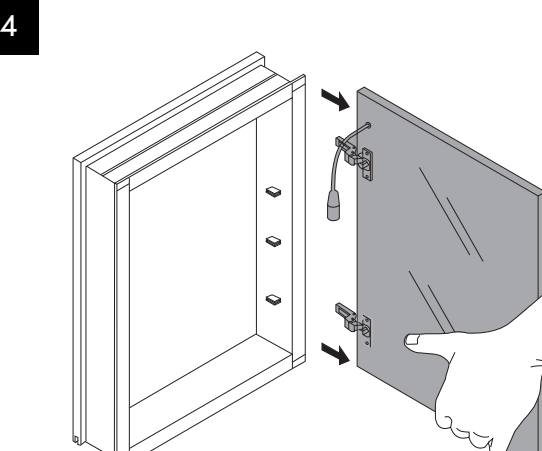
Remove door(s) prior to mounting your cabinet. Start with unplugging the door from the cabinet.

**3**



While supporting the door release (the lever under the hinge arm), slide the door off the frame.

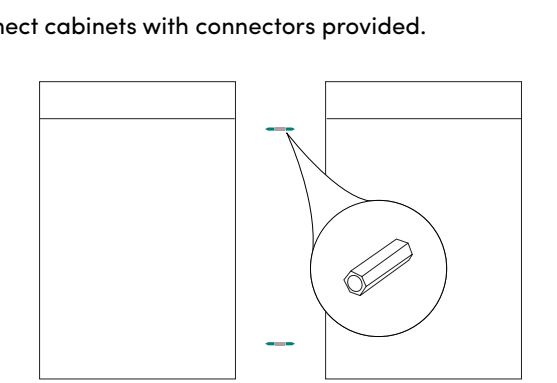
**4**



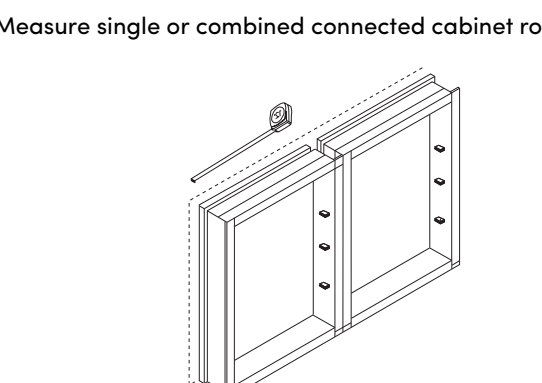
Take off the door(s) carefully and lay it down on a safe area.

## CONNECTING CABINETS (OPTIONAL RECESS MOUNTING)

Connect cabinets with connectors provided.

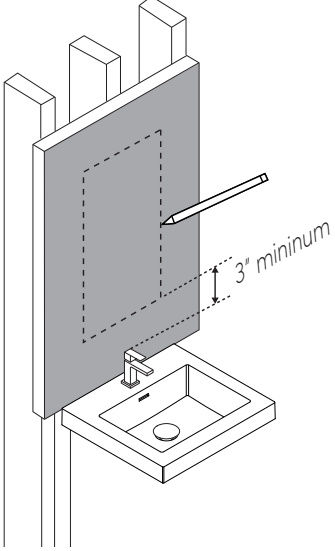


Measure single or combined connected cabinet rough in size.



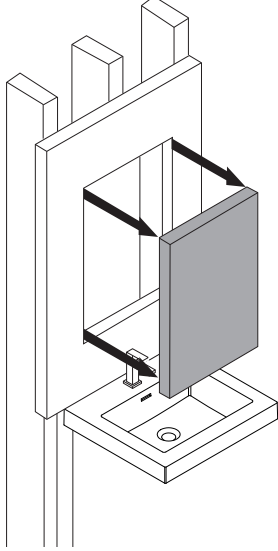
# RECESS MOUNT INSTALLATION CONTINUED

**1**



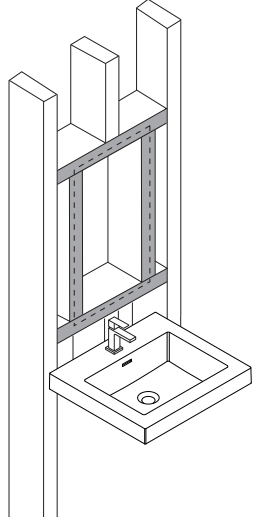
Draw the perimeter of the cabinet on the wall.

**2**



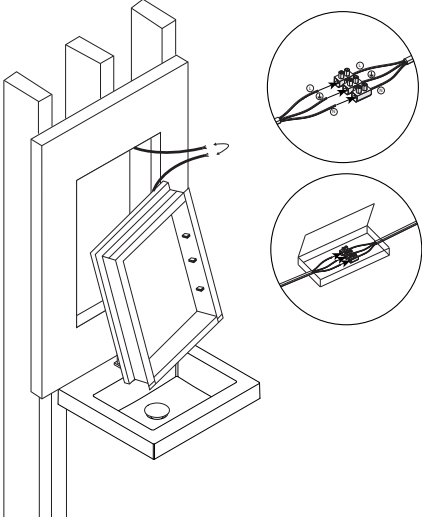
Cut the marked perimeter with suitable tool.

**3**



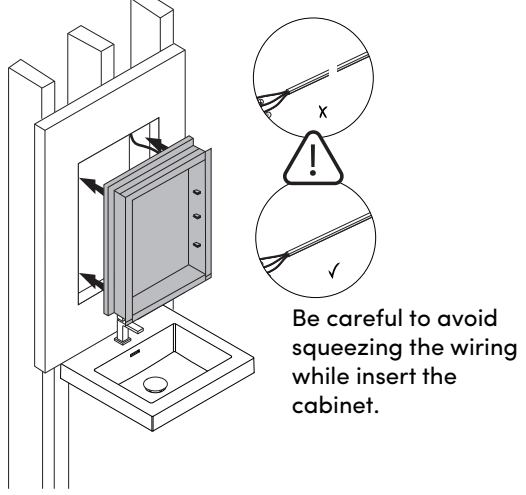
Frame the opening for the cabinet based on the measurements.

**4**



Connect electrical wires before inserting the cabinet into the opening.

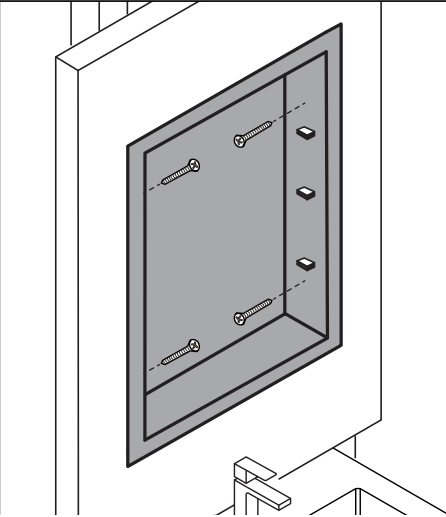
**5**



Be careful to avoid squeezing the wiring while insert the cabinet.

Position cabinet in cutout opening.

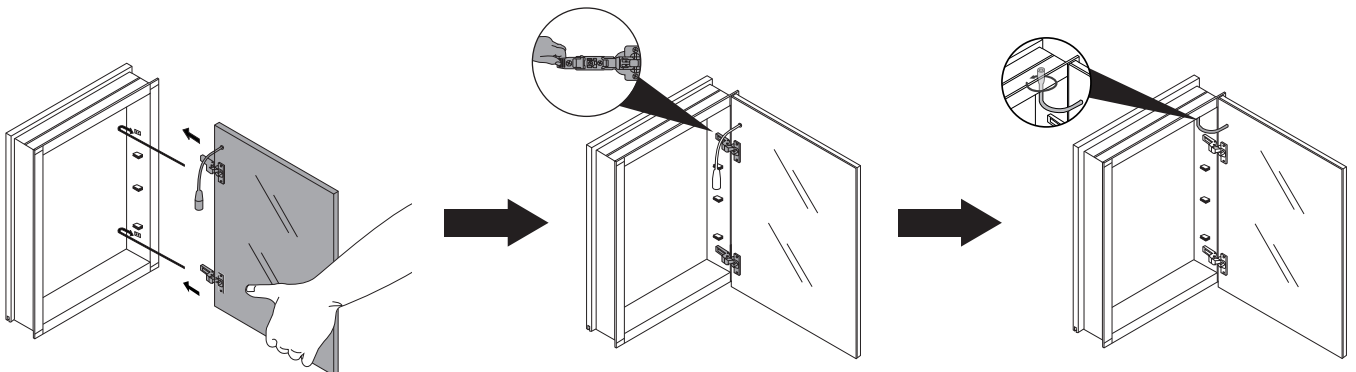
**6**



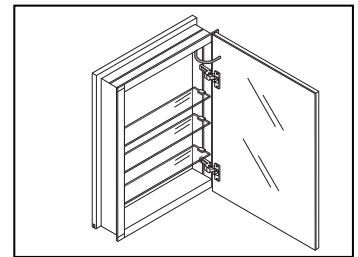
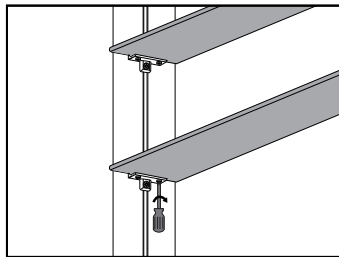
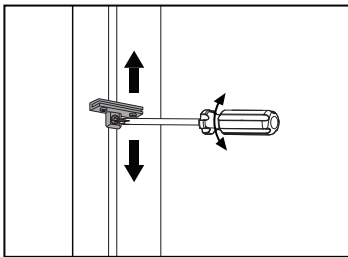
Affix using hardware screws into the studs.

# SURFACE MOUNT INSTALLATION

<p><b>1</b></p> <p>Level and mark the cabinet's location on the wall.</p>	<p><b>2</b></p> <p><b>!</b> Bottom mounting brackets must be attached to furring strip/channel or wall studs</p> <p>Attach bottom bracket to wall.</p>	
<p><b>3</b></p> <p>Connect the electrical wires.</p>	<p><b>4</b></p> <p>With assistance rest the cabinet on the mounting bracket and hold in place.</p>	<p><b>5</b></p> <p>Insert top mounting bracket into the top of the cabinet.</p>
<p><b>6</b></p> <p>Make sure top brackets are locked in the grooves.</p>	<p><b>7</b></p> <p><b>!</b> Top mounting brackets must be attached to furring strip/channel or wall studs.</p> <p>Attach the top mounting bracket to the wall using a screw gun.</p>	<p><b>8</b></p> <p><b>!</b> Make sure cabinet is leveled and fully inserted into the groove of the bottom bracket.</p> <p>Test the fit of the cabinet before Final assembly.</p>



1. Slide the doors into place by pinching the end of the hinges.
2. Plug the door into the cabinet.

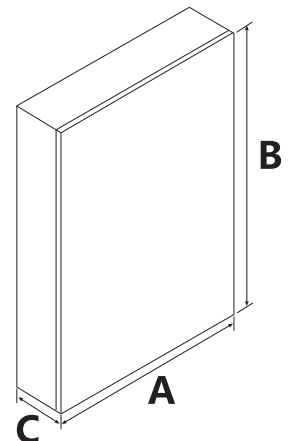
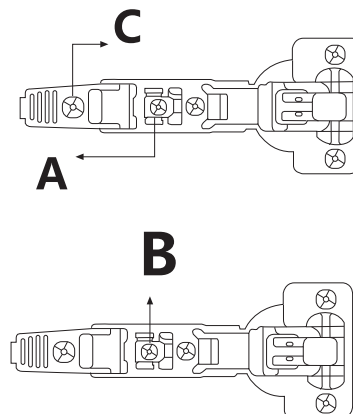


1. Adjust the shelf support brackets position:  
Unscrew the screws for shelf support bracket then slide the bracket up or down can adjust the bracket into the desired location. A level can be used to make sure left and right brackets are level. Screw the brackets to secure in position.
2. Insert the shelves into shelf support brackets at left and right sides.
3. Screw the rubber screws of shelf support brackets to fasten the glass shelves.

## OPTIONAL DOOR ADJUSTMENT



Doors may need to be adjusted after the initial shipping of the cabinet. The cabinet doors have a three-way adjustment feature. Height, side-to side, level and depth can be adjusted. With the hinge slightly closed you can access the middle screw for up/down adjustment.

With the hinge fully extended you can access the front and back screws. These screws will move the door side to side and in and out.



## How to use touch sensor switches:

Touch the left switch  to turn on/off the LED lights and Mirror Defogger.

Touch the Dimmer switch  to adjust the LED light color, Press and hold the dimmer switch  to dim or brighten the lights brightness. Dimmer switch stores the current light level intensity when switched off and on.

## Use and Maintenance:

The interior is constructed of mirrored glass and aluminum. Use only a damp cloth to clean. Ammonia or vinegar-based cleaners can damage mirrors.

When cleaning, spray the cloth, not the mirror, or surrounding surfaces. Do not use abrasive cleansers on any part of the light fixture.



Blossom Kitchen & Bath Supply Corporation  
(718)-366-0088 | sales@BlossomUS.com | www.BlossomUS.com

---

For clarification, please contact us at (718)-366-0088 or sales@BlossomUS.com

All dimensions are approximate and subject to standard tolerance. Specifications subject to change without prior notice.