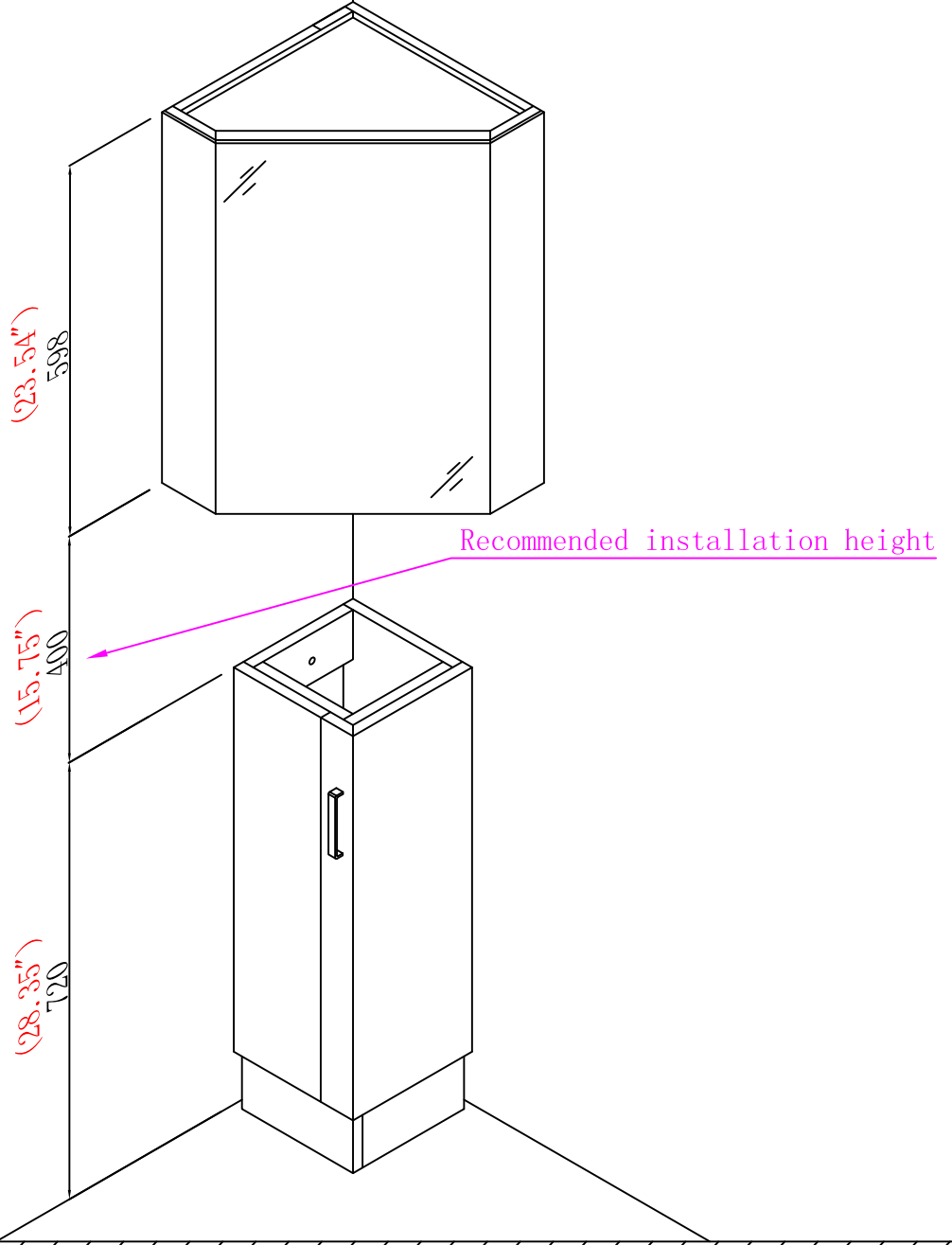

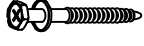



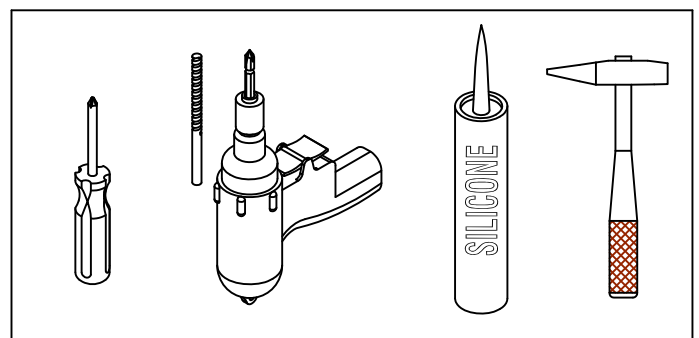
Item No. :MI15 / MIMC15W



Hardware

NO.	Draw	QTY
A		6
B		6
C		6

Tools



Step 1

WALL

WALL

Floor

(26.77")

(19.09")

(20")

109
(4.29")

199
(7.83")

199
(7.83")

90°

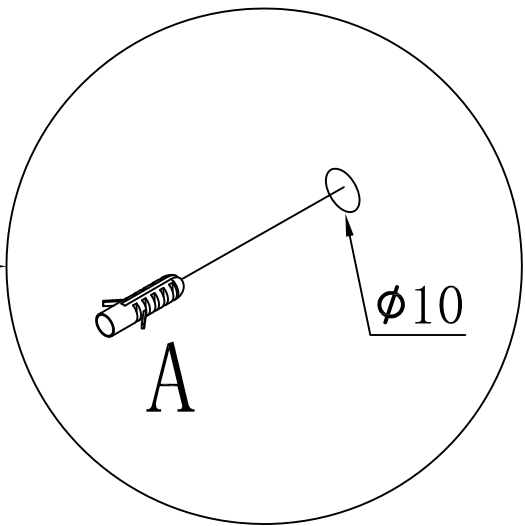
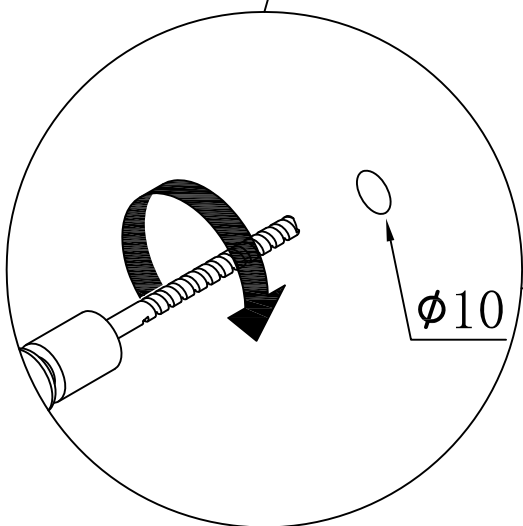
Ø10

160
(6.03")

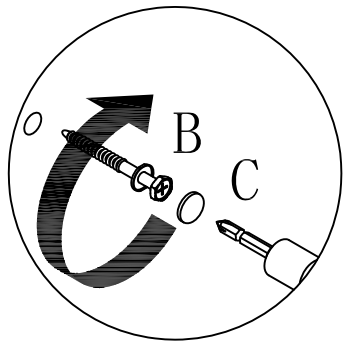
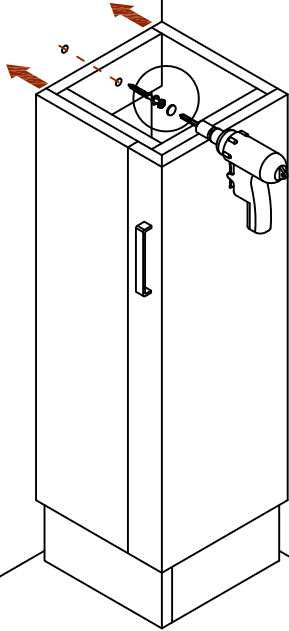
160
(6.03")

508
(20")

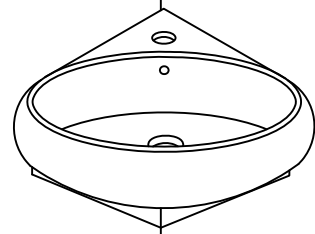
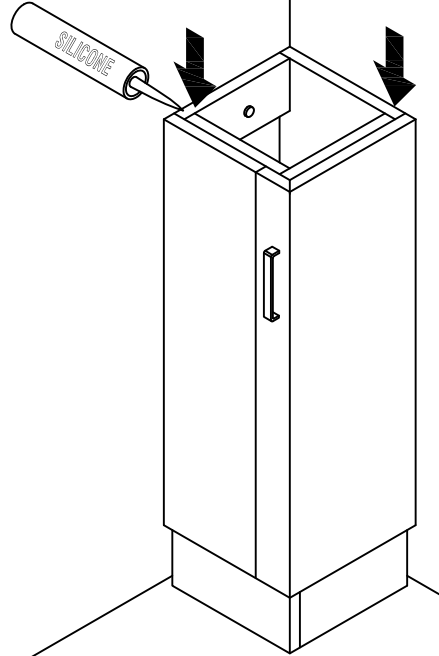
508
(20")



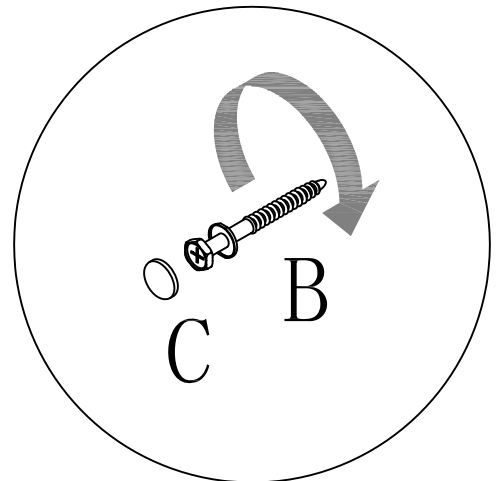
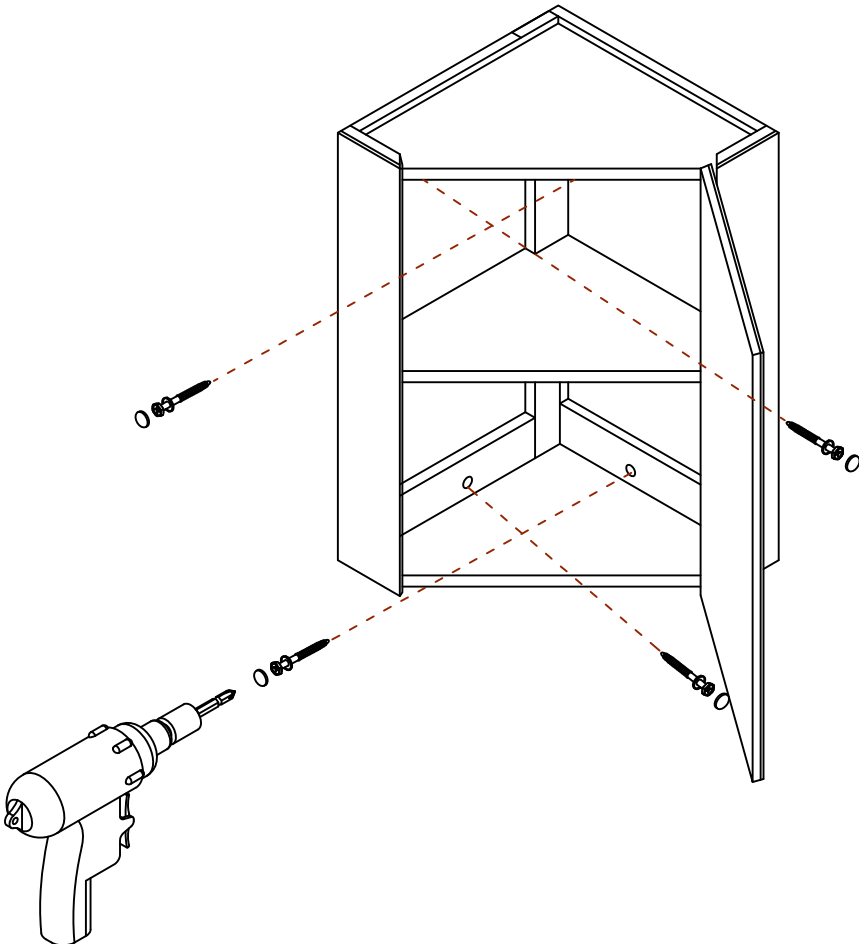
Step 2



Step 3



Step 4



Step 5

