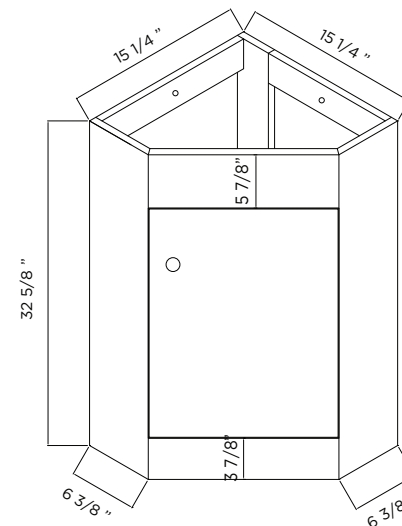
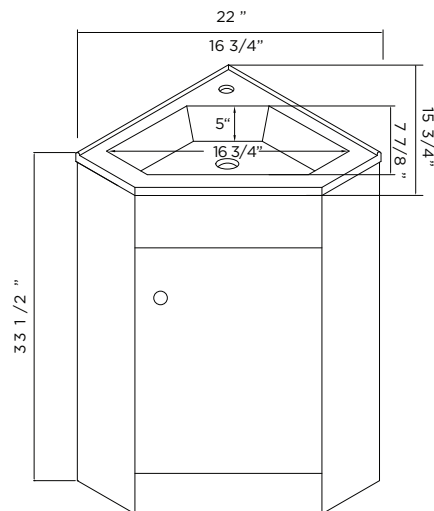
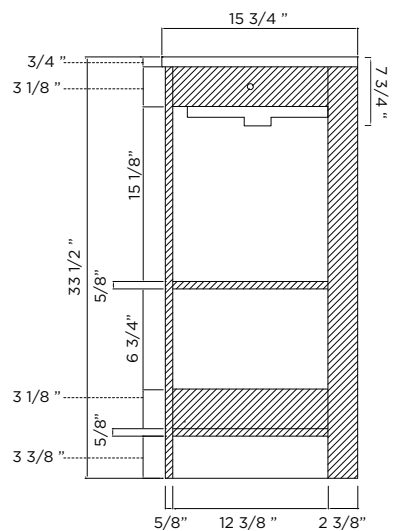
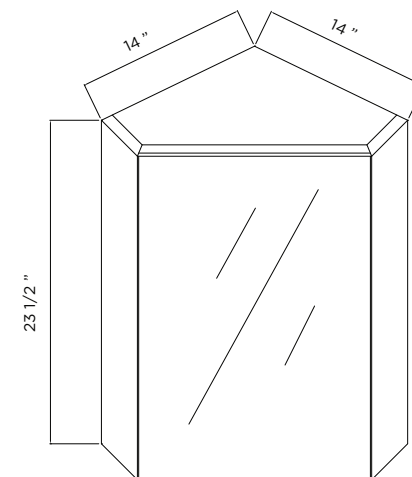


SPECIFICATIONS / TECHNICAL DATA

**ENGLEWOOD
VANITY COLLECTION**



ATTENTION! Dimensions may vary by up to 3/8". It is highly recommended to pull all dimensions of actual model for installation and measuring purposes.