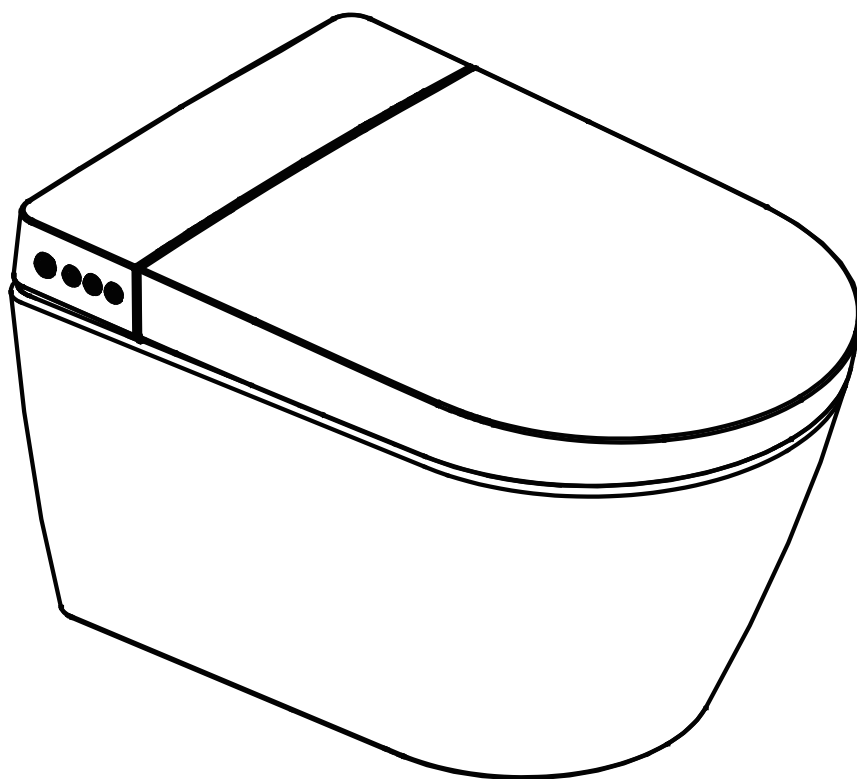


INSTALLATION MANUAL

WALL HUNG SMART TOILET



Installation Manual: (Pages 01 - 15)
Toilet User Manual: (Pages 16 - 24)
Remote Control User Manual: (Pages 25 - 31)

MODEL# SWT1W

 **READ ALL INSTRUCTIONS BEFORE UNPACKING THE PRODUCT**

SAFETY PRECAUTIONS

When using electrical products, especially when children are present, basic safety precautions should always be followed, including the following:

1. This product is not intended for children (without proper adult supervision).
2. This product is not intended for individuals with reduced physical, sensory, or mental capabilities.



DANGER

TO REDUCE THE RISK OF ELECTROCUTION

1. Do not place or store product where it can fall or be pulled into a tub or sink.
2. Do not place in or drop into water or other liquid.
3. Do not reach for a product that has fallen into water. Unplug immediately.
4. Do not wash the main unit or electrical plug with water or detergent.
5. Do not handle the electrical plug with wet hands.
6. Never block the outlet of the air dryer.
7. Never disassemble, repair or modify this product.
8. Ensure Power Cable is unplugged during the installation and maintenance of the appliance.



DANGER

TO REDUCE THE RISK OF ELECTROCUTION, BURNS, FIRE OR INJURIES TO PERSONS.

1. Close supervision is necessary when this product is used by, on, or near children or individuals with disabilities.
2. Use this product only for its intended use as described in this manual. Do not use attachments Which are not recommended by the manufacturer.
3. Never operate this product if it has a damaged cord or plug, if it is not working properly, if it has been dropped or damaged, or dropped into water.
4. If the electric cord is damaged, it must be replaced by the manufacturer, its service center or equivalent specialist.
5. Keep the cord away from heated surfaces.
6. Never use while sleepy or drowsy.
7. Never drop or insert any object into any opening or hose.
8. This appliance MUST be plugged directly into a properly grounded electrical outlet. Extension cords are NOT permitted. (See Grounding Instructions)
9. Do not throw cigarettes and/or other ignited materials into toilet.
10. This product is an electric appliance, please avoid direct contact with water or other liquids.
11. Do not position the product on its side or upside down while making electrical connections.
12. It is not recommended to use other electric appliances in the same outlet.
13. Do NOT reuse any existing water supply hoses, otherwise it might cause leakage, fire or electrical shock. Installation of the bidet seat should include specified components and new water supply hose.

IMPORTANT SAFETY INSTRUCTIONS



DANGER

Failure to follow the instructions may cause bodily injury or property damage.

1. Do not install or use the product in wet or damp locations such as a steam room.
2. Ensure the electrical outlet is positioned where it will not come in contact with water.
3. This product should be used with 110V-120V, 50/60Hz electrical current only, load current is at least 15A. Power plug must be equipped with ground fault circuit interrupter or ground fault electrical leakage protector or similar high sensitive, rapid type leakage switch (Rated sensitive current under 6mA).
4. It is recommended to unplug the unit during thunderstorms to prevent electrical damage.
5. Do not stand on product, seat or seat cover.
6. Do not lean against the seat cover when using the product.
7. This product is equipped with a soft-closing seat cover. Do not push the toilet seat closed, or damage may occur.
8. Do not use any caustic chemicals to clean this product.
9. Exposure to direct sunlight is not recommended.
10. Only use tap water or portable water, otherwise it may cause irritation to the skin or malfunction.
11. Do not connect water supply to a HOT water supply. Make sure inlet water temperature is between 37.4~95°F.
12. Do NOT expose the Bidet Seat or Toilet to freezing conditions.
13. If the unit will not be used for an extended period of time (over 3 days), it is recommended to unplug the electrical connection, turn off water supplies, and drain any water present in the product.
14. If the unit is malfunctioning, unplug from electrical connections, and turn OFF water supply.
15. The product itself is not equipped with an emergency power circuit breaker, a power circuit breaker should be connected in series in the power input loop of the same room where the product is installed before safe use. Otherwise, the accidental failure of this product may cause bodily injury or property damage.
16. If this product is installed without a power cord plug, a switch device capable of disconnecting the power supply of this product must be installed at the front end of the fixed wiring.

GROUNDING INSTRUCTIONS

This product should be grounded. In the event of an electrical short circuit, grounding reduces the risk of electric shock by providing an escape wire for the electrical current. The plug must be plugged into an outlet that is properly installed and grounded.



DANGER

IMPROPER USE OF THE GROUNDING PLUG CAN RESULT IN A RISK OF ELECTRIC SHOCK!

If repair or replacement of the cord or plug is necessary, do not connect the grounding wire to either flat-head terminal.

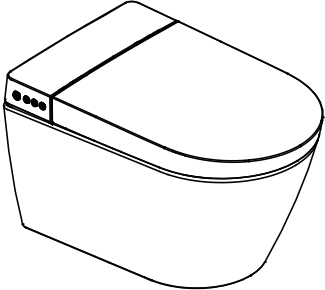
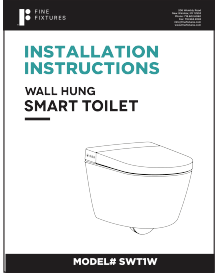
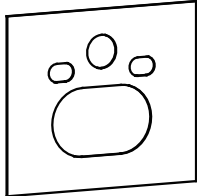
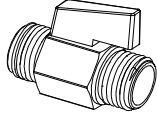

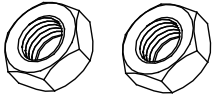
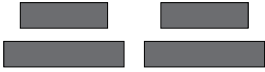
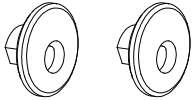
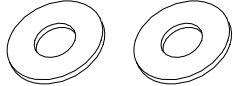
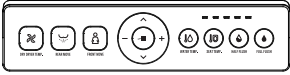
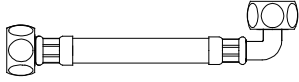
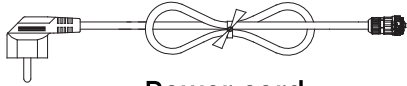
Check with a qualified electrician or serviceman if the grounding wire instructions are not completely understood, or if in doubt as to whether the product is properly grounded.

This product is factory equipped with a specific electric cord and plug to permit connection to a proper electric circuit. Make sure that the product is connected to an outlet having the same configuration as the plug.

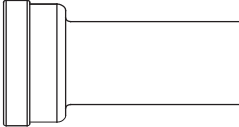

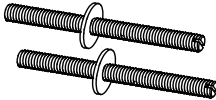
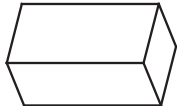
No adapter should be used with this product. Do not modify the plug provided — if it will not fit the outlet, please have the proper outlet installed by a qualified electrician.

If the product must be reconnected for use on a different type of electric circuit, the reconnection should be made by qualified service personnel.


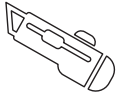
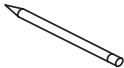
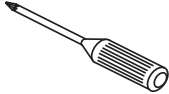
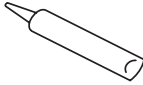

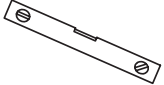


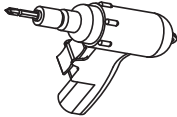

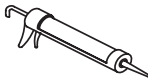
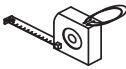
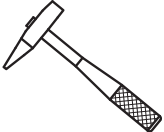
COMPONENTS LIST

 <p>Main Unit</p>	 <p>Installation Manual</p>	 <p>Pad</p>	 <p>Ball valve switch</p>  <p>Decorative caps</p>
 <p>Locking Nut (M12)</p>	 <p>Velcro</p>	 <p>Transition piece</p>	 <p>Rubber washer</p>
 <p>Remote Components</p>	 <p>Water supply hose</p>	 <p>Power cord (the plug is subject to material object)</p>	

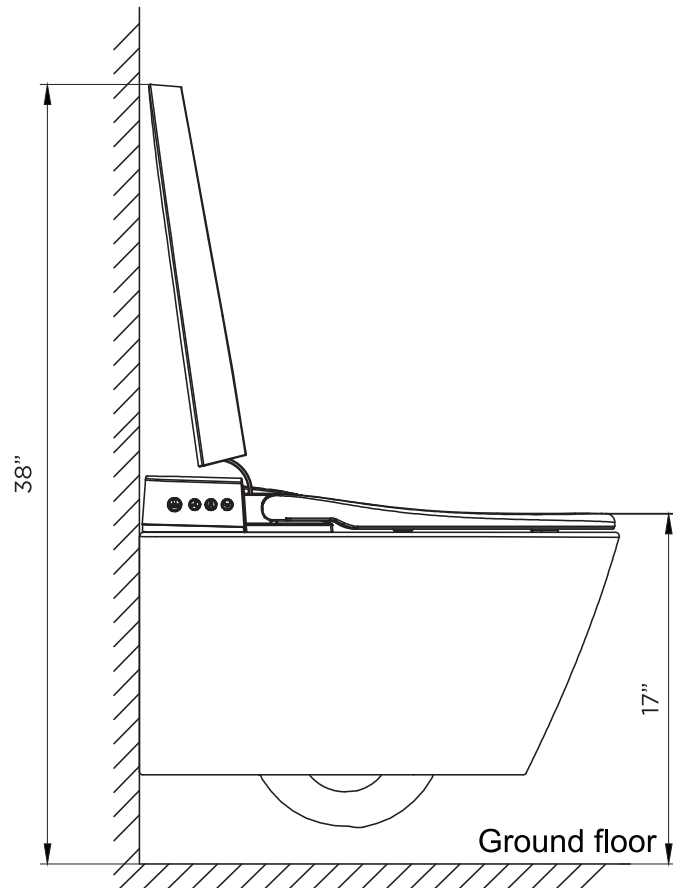
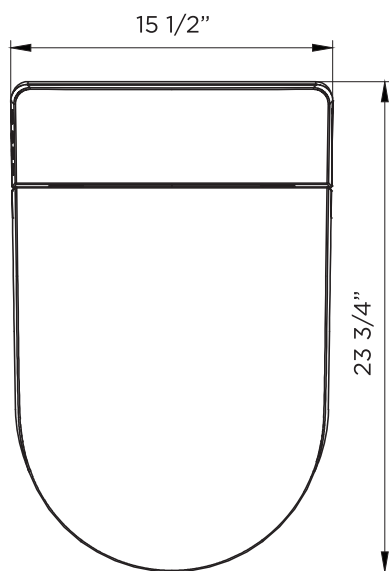
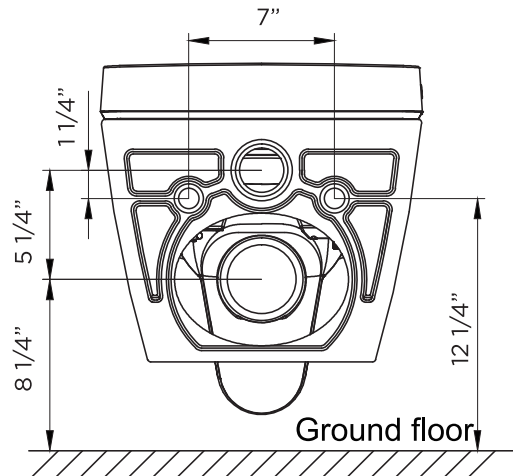
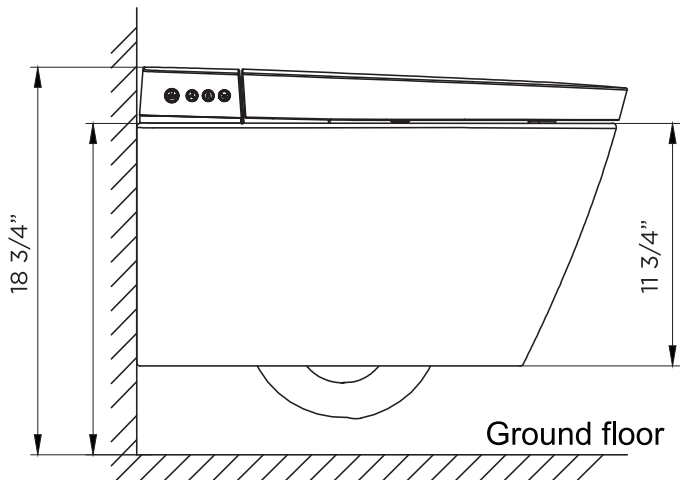
REQUIRED ACCESSORIES FOR IN-WALL HANGER

 <p>Extended Straight Drainpipe (+gasket)</p>	 <p>Straight Flush Pipe (+gasket)</p>	 <p>Bolts (+protective sleeve)</p>	 <p>Silicone sponge</p>
---	---	---	---

REQUIRED TOOLS

 <p>SPANNERS</p>	 <p>KNIFE</p>	 <p>PENCIL</p>	 <p>SCREWDRIVER</p>	 <p>SILICONE</p>	 <p>GOOGLES</p>	 <p>LEVEL</p>
 <p>TEFLON TAPE</p>	 <p>SOFT CLOTH</p>	 <p>DRILL</p>	 <p>DRILL BIT</p>	 <p>SILICON GUN</p>	 <p>TAPE MEASURE</p>	 <p>HAMMER</p>

DIMENSIONS/TECHNICAL DATA



ATTENTION! Dimensions may vary by up to 3/8".
It is highly recommended to pull all dimensions of actual model for installation and measuring purposes.

INSTALLATION METHODS

Circuit Pre-installation:

Install a fixed power supply line (The line includes: neutral line, live line, ground line)

- * Confirm the electrical connection location.
- * Reserve the pipeline for power line.

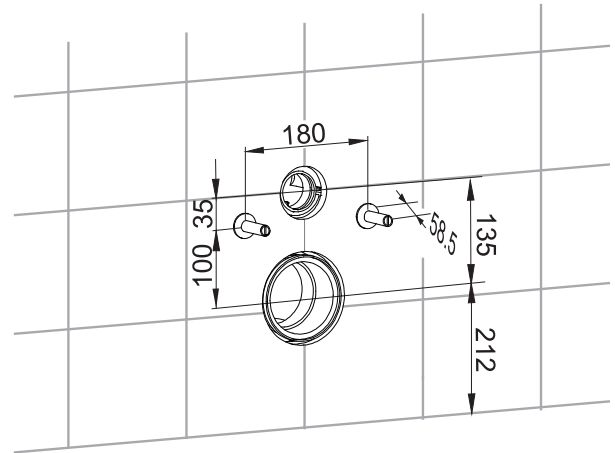
Pre-installation of the circuit breaker

- * Connect a separate upstream circuit breaker.
- * Pre-connect an earth leakage circuit breaker or grounding protector for other independent lines.

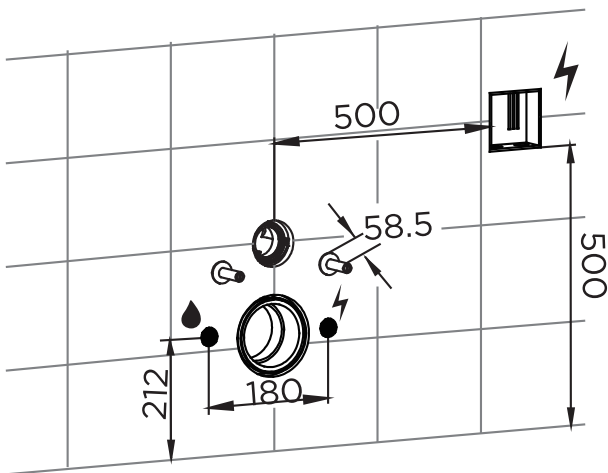
Pre-installation of the waterway

- * Reserve the pipeline for braided pipe.

TOILET PRE-INSTALLATION SIZE CONFIRMATION



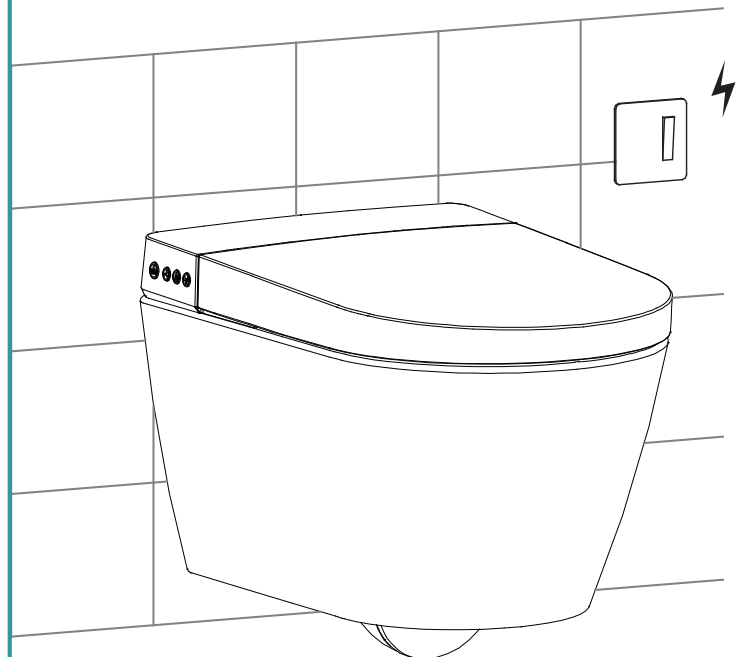
WATER & ELECTRICITY PRE-INSTALLATION SIZE CONFIRMATION



Tips: ⚡

This circuit must have a leakage protection function and can be closed separately.

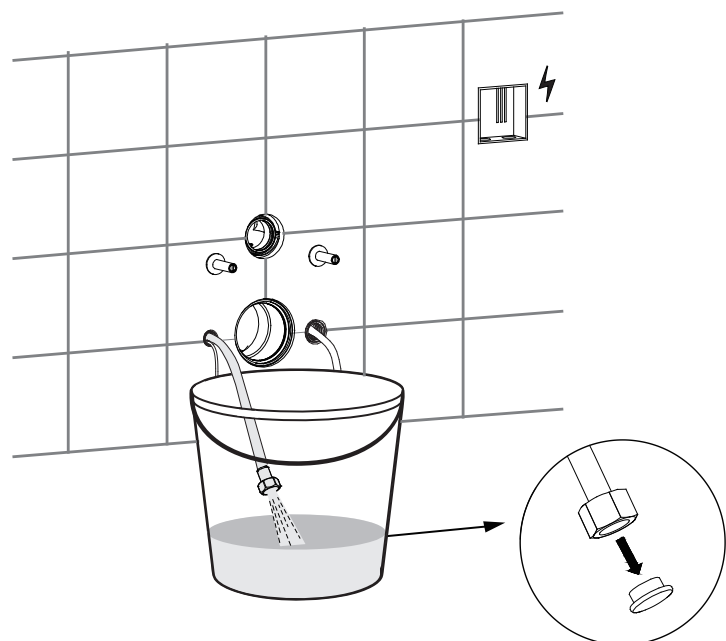
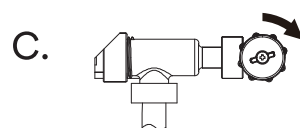
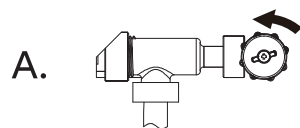
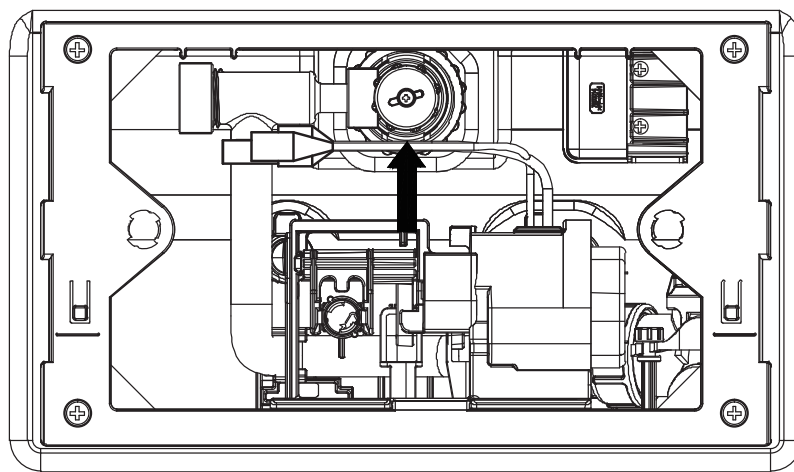
RENDERING AFTER INSTALLATION



BEFORE INSTALLATION - 1

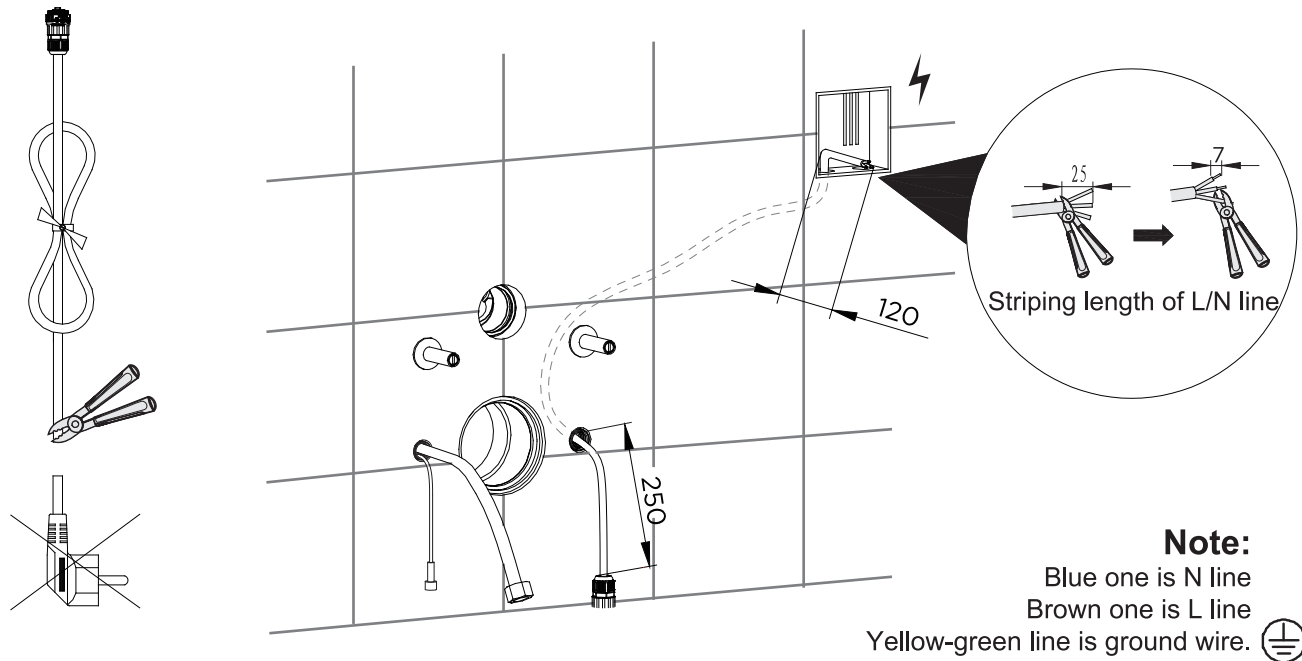
Minimum static working water pressure: above 0.08MPa (above 8.5L/min flow), failure to meet this pressure will not achieve the best flushing effect.

Note: If there is not the water pressure test device, please refer to the following method. Open the angle valve and connect water for 10s till the water volume is above 1.42L, which can ensure the minimum water pressure of the product.



BEFORE INSTALLATION - 2

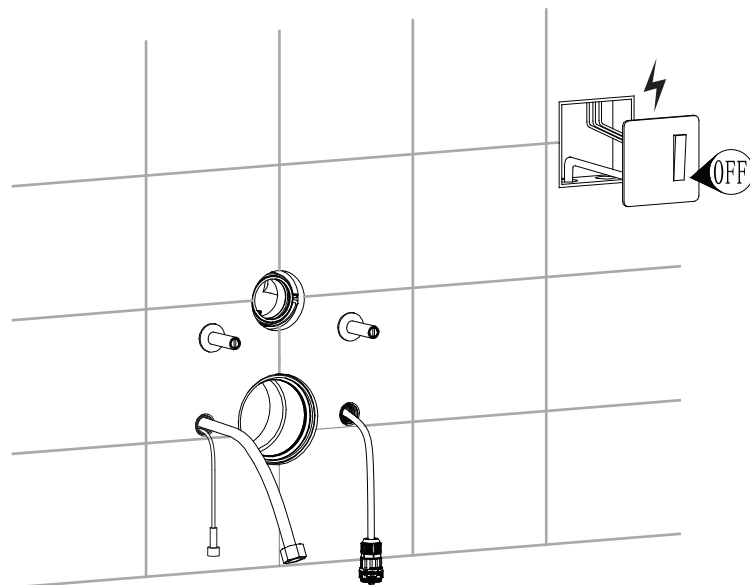
After the power cable penetrates into the wall, the power cable is stripped to ensure that the ground wire is 5 mm longer than "L/N" line.



BEFORE INSTALLATION - 3

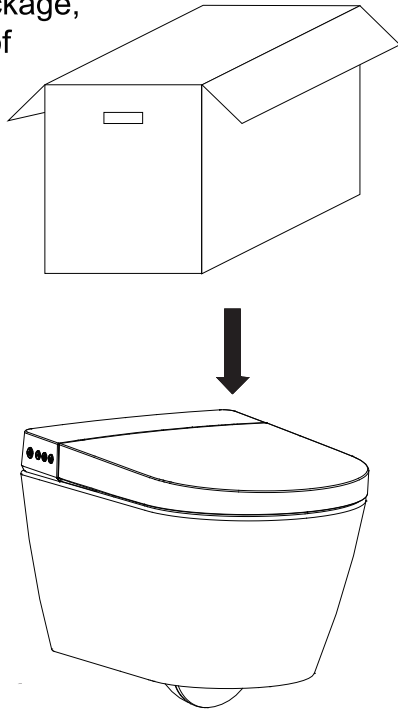
Installation of power switch

Tips:
Please install the power switch in accordance with the circuit breaker instruction after the power is turned off (the circuit breaker is purchased by the customer).



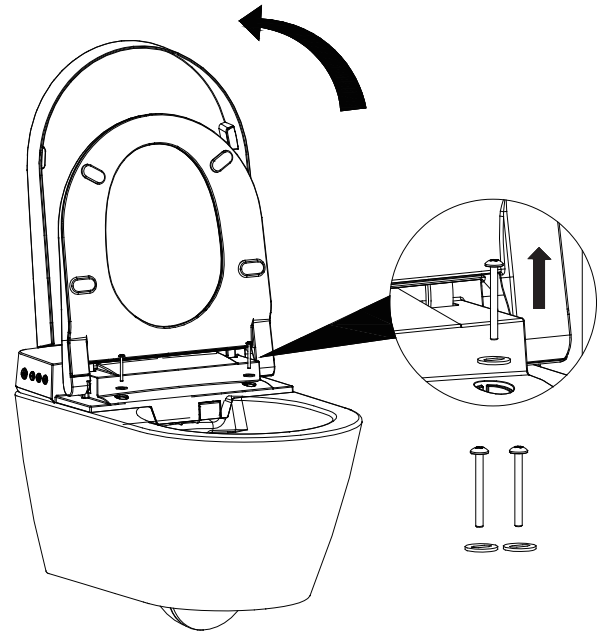
STEP #1

Remove the package,
confirm the list of
accessories



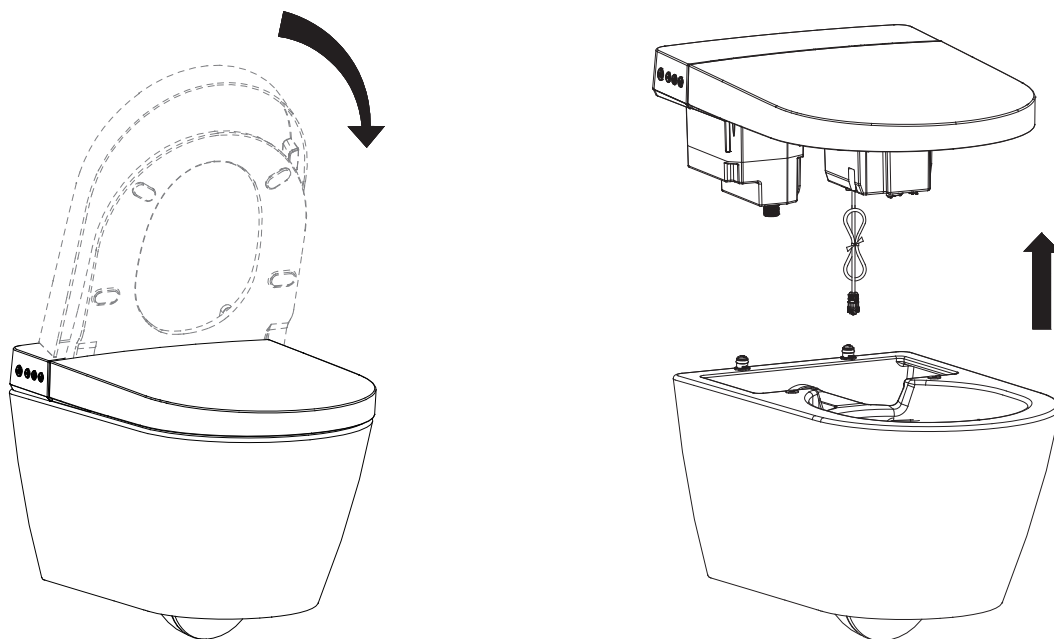
STEP #2

Remove the screws and washers after
opening the top cover and seat



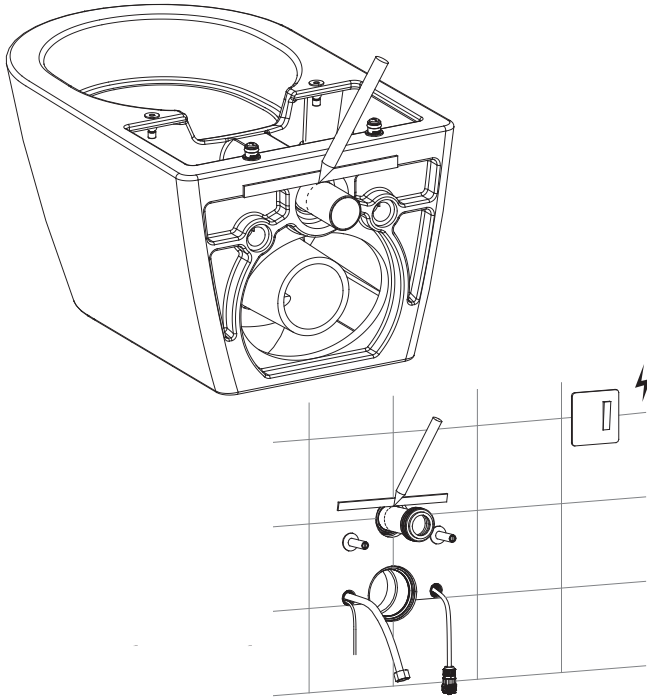
STEP #3

Remove the seat cover after closing the lid and the seat ring, protect the appearance.



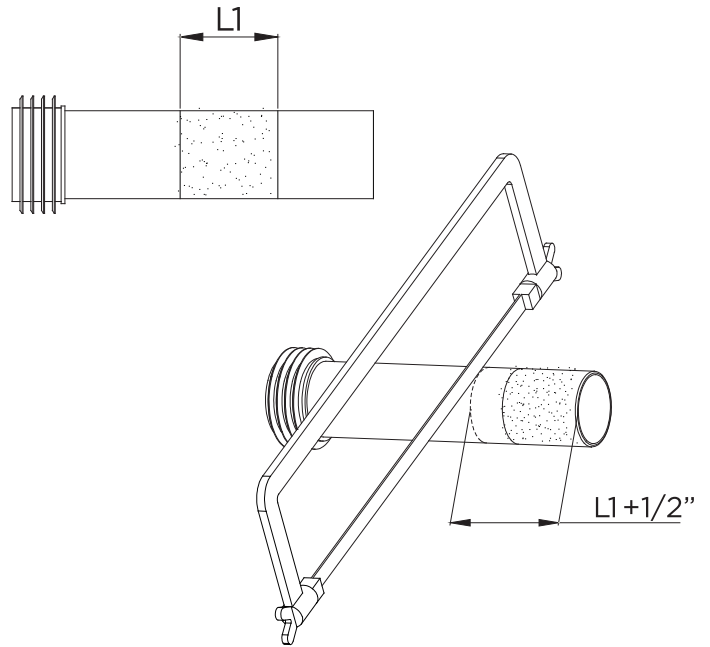
STEP #4

Confirm the length of the flushing tube



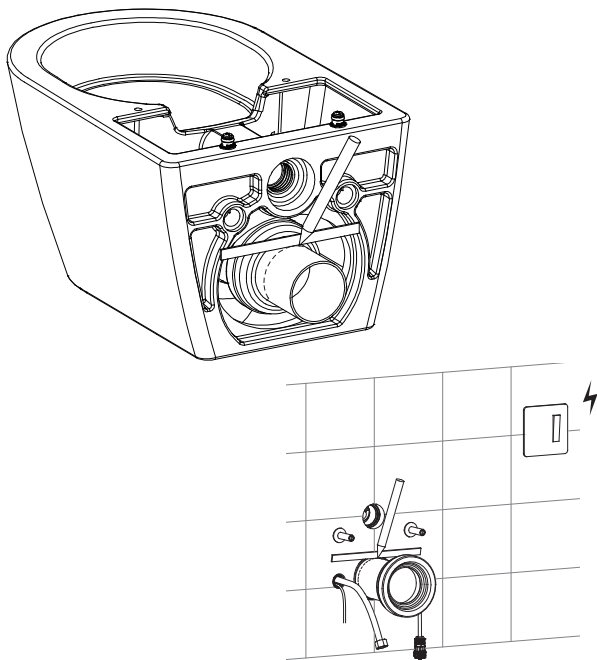
STEP #5

Saw off excess tube length



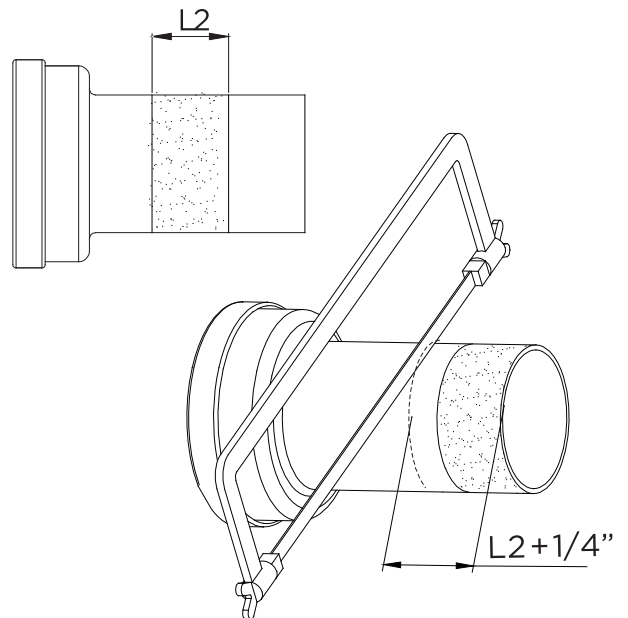
STEP #6

Confirm the length of the drain pipe.



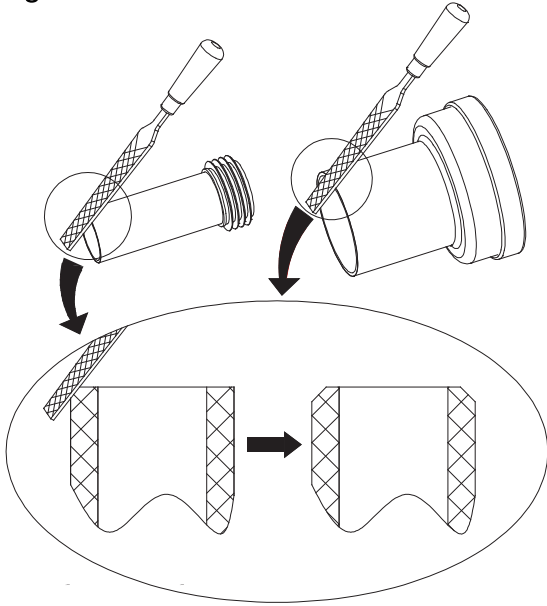
STEP #7

Saw off excess tube length



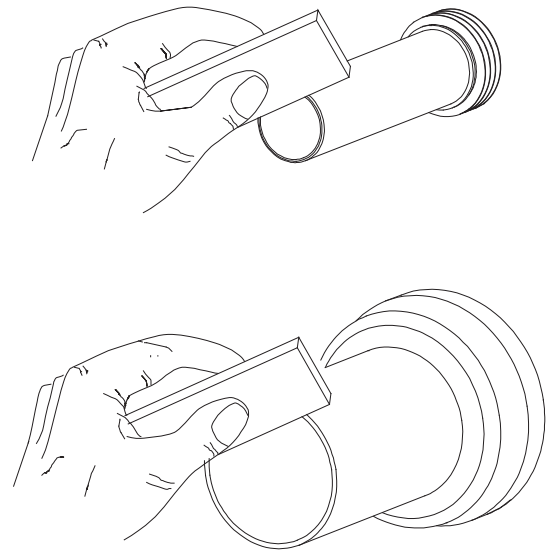
STEP #8

Sharpen the end faces of the two elbows with short saws and remove the edges.



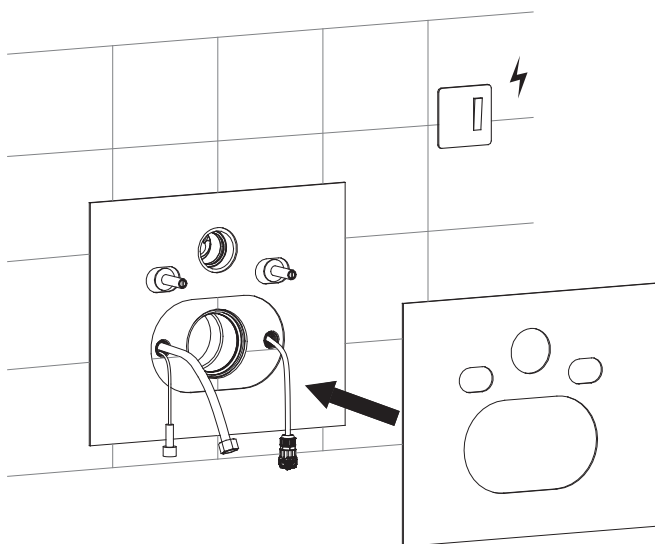
STEP #9

Apply silicone oil to the nozzle after polishing.



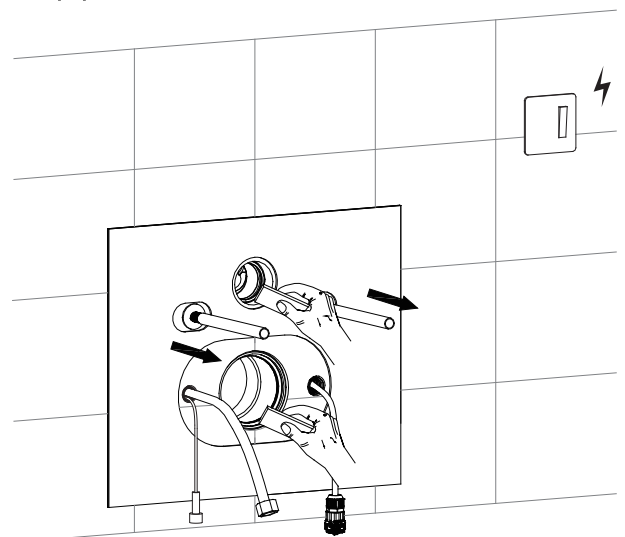
STEP #10

Put the pad



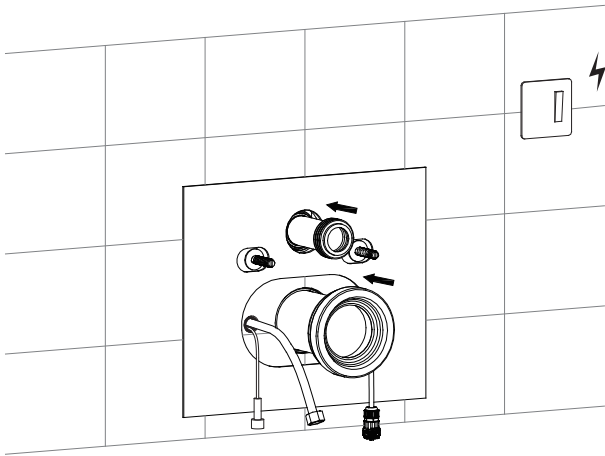
STEP #11

Take out the connecting bolt cover, apply silicone oil to the pipe in the wall and the pipe opening of the drain pipe.



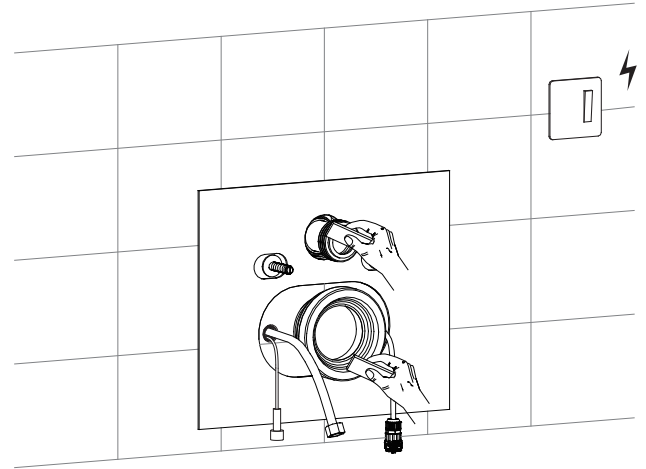
STEP #12

The flushing pipe and the drain pipe are separately inserted into the wall.



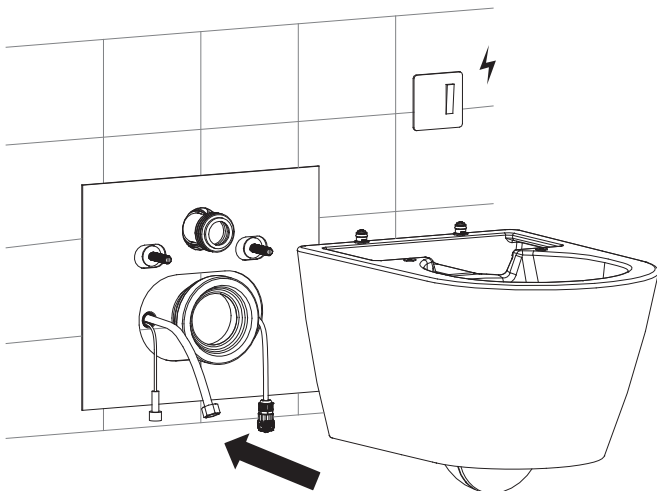
STEP #13

Apply silicone oil to the flushing pipe and the drain pipe.



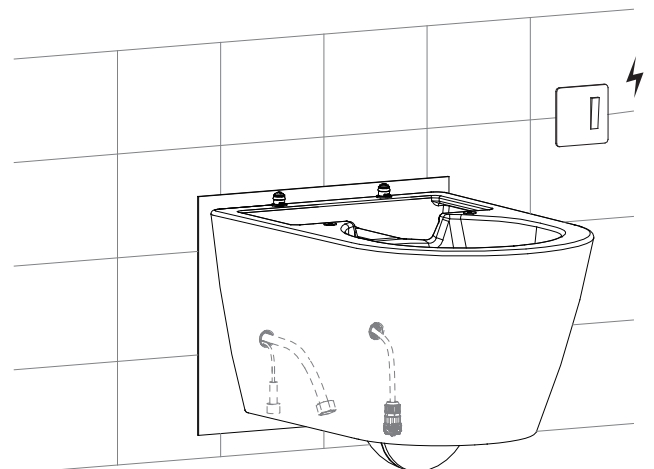
STEP #14

Align the toilet with the bolt holes against the wall.



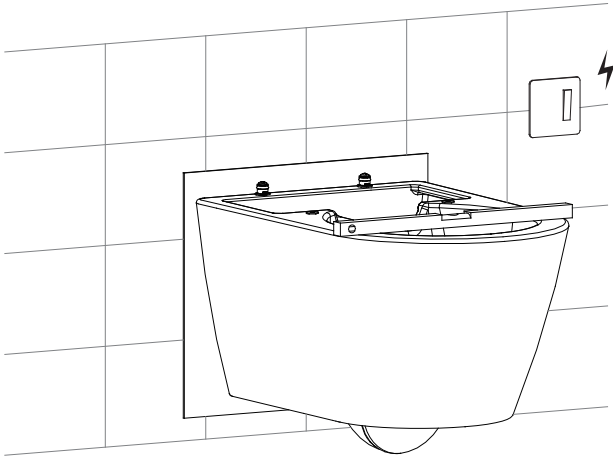
STEP #15

Put the braided tube, "connecting line of the off seat flushing" and the power line through one end of the toilet.



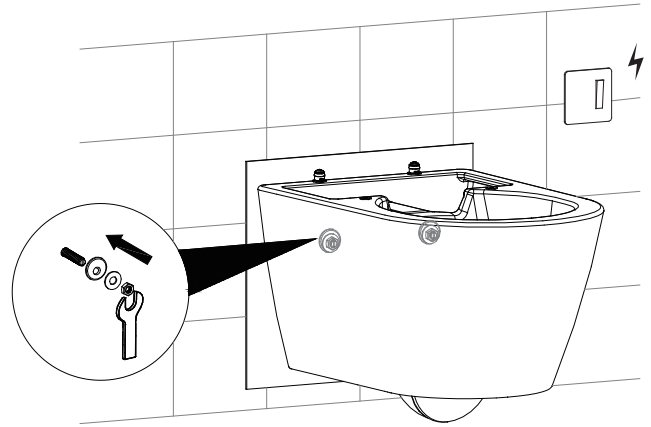
STEP #16

Leveling



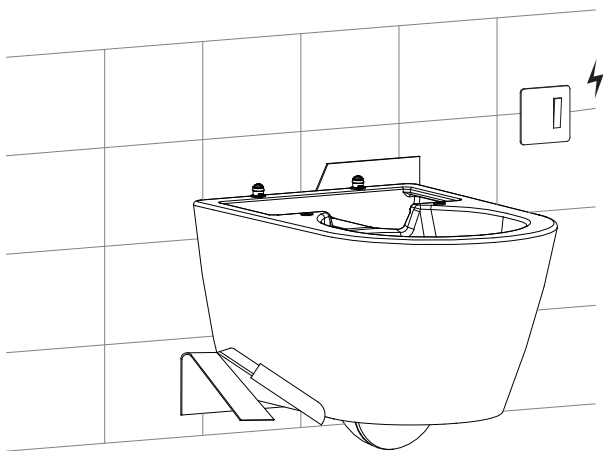
STEP #17

Lock the gasket and nut



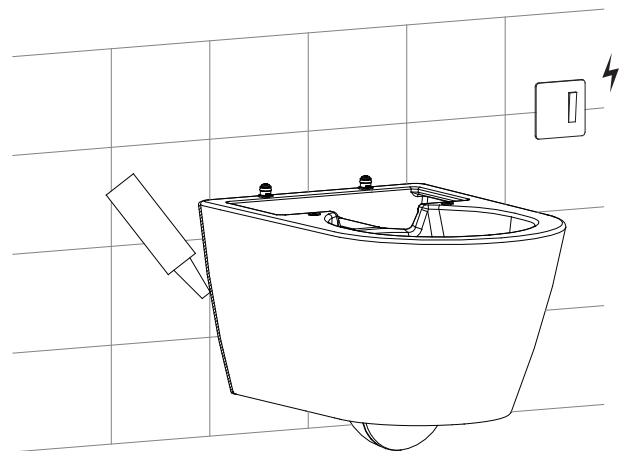
STEP #18

Cut off excess pad



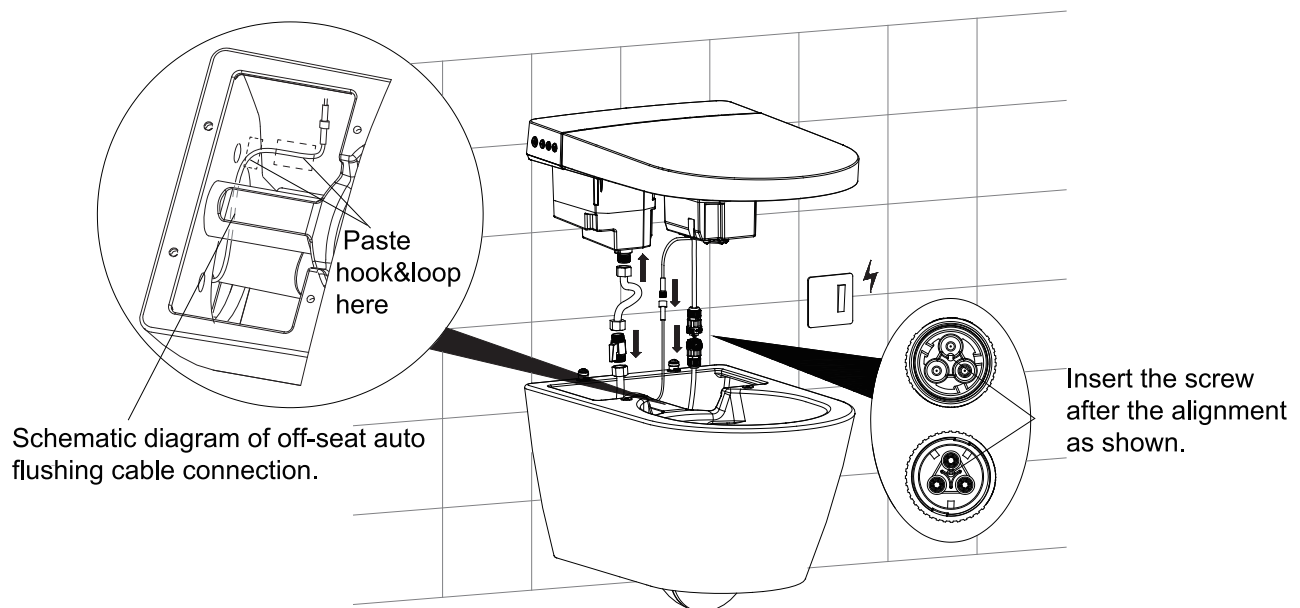
STEP #19

Paint glass glue around the toilet



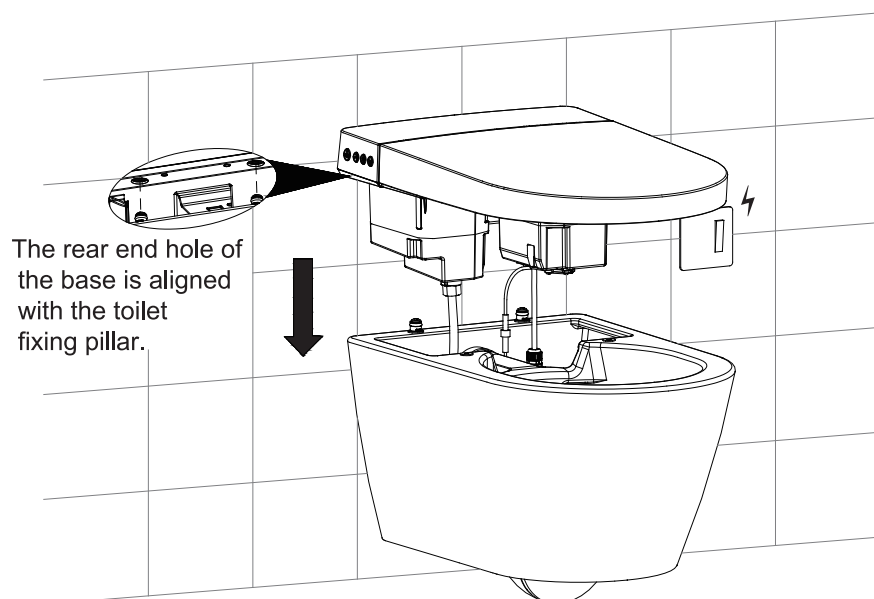
STEP #20

Tightly screw the connector of the electronic cover and the toilet.
The electronic seat and the toilet water supply hose are connected through a ball valve.
The off-seat auto flushing punching cable passes through the middle of the two pipes, and then the two hook&loop are inserted and tightened with the connecting wire of the electronic seat.
The two hook&loop are fixed at the following positions, please note that the off-seat auto flushing line cannot overlap with the power cord.



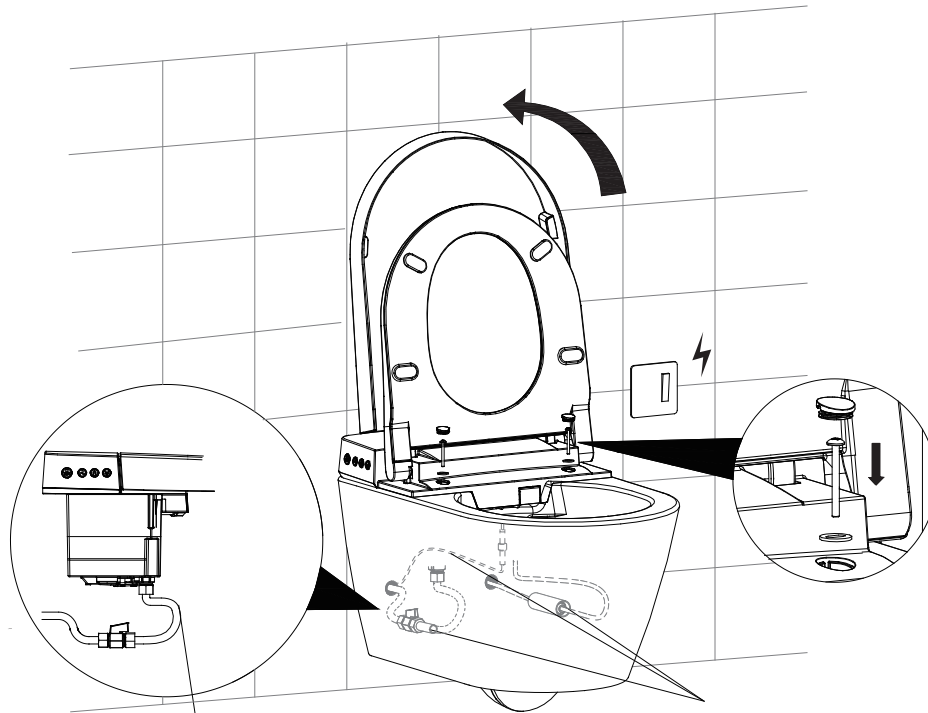
STEP #21

Place the electronic cover into the toilet, adjust the alignment, and evenly distribute the gap.



STEP #22

Open the lid and the seat ring, lock the screws, and insert the decorative cap.

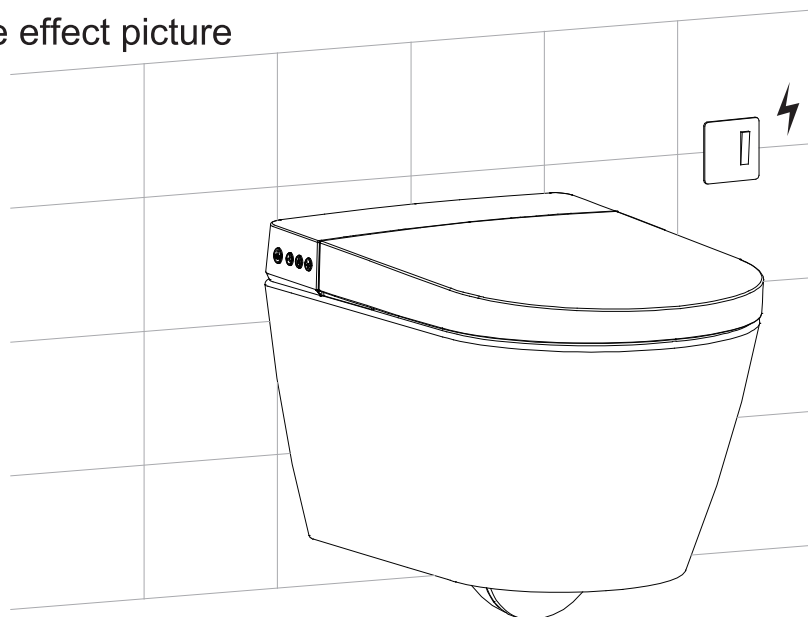


Pay attention that the braided tube cannot be folded

The Velcro hook should face outward

STEP #23

Cover the seat and lid, see the effect picture



TOILET USER MANUAL

(PAGES 16 TO 24)



READ ALL INSTRUCTIONS BEFORE UNPACKING THE PRODUCT

SAFETY PRECAUTIONS

When using electrical products, especially when children are present, basic safety precautions should always be followed, including the following:

1. This product is not intended for children (without proper adult supervision).
2. This product is not intended for individuals with reduced physical, sensory, or mental capabilities.



DANGER

TO REDUCE THE RISK OF ELECTROCUTION

1. Do not place or store product where it can fall or be pulled into a tub or sink.
2. Do not place in or drop into water or other liquid.
3. Do not reach for a product that has fallen into water. Unplug immediately.
4. Do not wash the main unit or electrical plug with water or detergent.
5. Do not handle the electrical plug with wet hands.
6. Never block the outlet of the air dryer.
7. Never disassemble, repair or modify this product.
8. Ensure Power Cable is unplugged during the installation and maintenance of the appliance.



DANGER

**TO REDUCE THE RISK OF ELECTROCUTION, BURNS,
FIRE OR INJURIES TO PERSONS.**

1. Close supervision is necessary when this product is used by, on, or near children or individuals with disabilities.
2. Use this product only for its intended use as described in this manual. Do not use attachments Which are not recommended by the manufacturer.
3. Never operate this product if it has a damaged cord or plug, if it is not working properly, if it has been dropped or damaged, or dropped into water.
4. If the electric cord is damaged, it must be replaced by the manufacturer, its service center or equivalent specialist.
5. Keep the cord away from heated surfaces.
6. Never use while sleepy or drowsy.
7. Never drop or insert any object into any opening or hose.
8. This appliance **MUST** be plugged directly into a properly grounded electrical outlet. Extension cords are **NOT** permitted. (See Grounding Instructions)
9. Do not throw cigarettes and/or other ignited materials into toilet.
10. This product is an electric appliance, please avoid direct contact with water or other liquids.
11. Do not position the product on its side or upside down while making electrical connections.
12. It is not recommended to use other electric appliances in the same outlet.
13. Do **NOT** reuse any existing water supply hoses, otherwise it might cause leakage, fire or electrical shock. Installation of the bidet seat should include specified components and new water supply hose.

IMPORTANT SAFETY INSTRUCTIONS



DANGER

Failure to follow the instructions may cause bodily injury or property damage.

1. Do not install or use the product in wet or damp locations such as a steam room.
2. Ensure the electrical outlet is positioned where it will not come in contact with water.
3. This product should be used with 110V-120V, 50/60Hz electrical current only, load current is at least 15A.
Power plug must be equipped with ground fault circuit interrupter or ground fault electrical leakage protector or similar high sensitive, rapid type leakage switch (Rated sensitive current under 6mA).
4. It is recommended to unplug the unit during thunderstorms to prevent electrical damage.
5. Do not stand on product, seat or seat cover.
6. Do not lean against the seat cover when using the product.
7. This product is equipped with a soft-closing seat cover. Do not push the toilet seat closed, or damage may occur.
8. Do not use any caustic chemicals to clean this product.
9. Exposure to direct sunlight is not recommended.
10. Only use tap water or portable water, otherwise it may cause irritation to the skin or malfunction.
11. Do not connect water supply to a HOT water supply. Make sure inlet water temperature is between 37.4~95°F.
12. Do NOT expose the Bidet Seat or Toilet to freezing conditions.
13. If the unit will not be used for an extended period of time (over 3 days), it is recommended to unplug the electrical connection, turn off water supplies, and drain any water present in the product.
14. If the unit is malfunctioning, unplug from electrical connections, and turn OFF water supply.
15. The product itself is not equipped with an emergency power circuit breaker, a power circuit breaker should be connected in series in the power input loop of the same room where the product is installed before safe use. Otherwise, the accidental failure of this product may cause bodily injury or property damage.
16. If this product is installed without a power cord plug, a switch device capable of disconnecting the power supply of this product must be installed at the front end of the fixed wiring.

GROUNDING INSTRUCTIONS

This product should be grounded. In the event of an electrical short circuit, grounding reduces the risk of electric shock by providing an escape wire for the electrical current.
The plug must be plugged into an outlet that is properly installed and grounded.



DANGER

IMPROPER USE OF THE GROUNDING PLUG CAN RESULT IN A RISK OF ELECTRIC SHOCK!

If repair or replacement of the cord or plug is necessary, do not connect the grounding wire to either flat-head terminal.

Check with a qualified electrician or serviceman if the grounding wire instructions are not completely understood, or if in doubt as to whether the product is properly grounded.

This product is factory equipped with a specific electric cord and plug to permit connection to a proper electric circuit. Make sure that the product is connected to an outlet having the same configuration as the plug.

No adapter should be used with this product. Do not modify the plug provided — if it will not fit the outlet, please have the proper outlet installed by a qualified electrician.

If the product must be reconnected for use on a different type of electric circuit, the reconnection should be made by qualified service personnel.

Technical specification

Model	SWT1W	
Main Unit	Rated voltage	110V-120V,50/60Hz
	Rated power	850W
	Protection class	Main unit IPX4
	Water pressure range	Minimum water pressure 0.08MPa (Hydrostatic pressure) Maximum water pressure 0.8MPa (Hydrostatic pressure)
	Electrical wire	length is about 2.2m
Toilet	Water consumption	1.6/1.1Gpf(6.0/4.1Lpf)
	Flush type	Washdown /Horizontal outlet
	Outlet height	212mm
	Outlet outside diameter	102mm
	Waste outlet	P-trap
Cleaning device	Heating power	1400W
	Water temperature	6 adjustable temperature settings (Neutral level included)
	Water volume	3 adjustable water volume settings
	Cleaning function	Rear cleaning/Moving cleaning Front cleaning/Moving cleaning
	Nozzle position	5 adjustable nozzle positions
	Water pressure protection	Voltage regulator, Automatic pressure relief device
	Anti-fouling device	Self-cleaning nozzle, filter device, anti-backflow air gap
	Safety device	Automatic nozzle cleaning device, Anti-siphon device, Anti-backflow device, filter device
Drying device	Warm wind speed	Over 4m/s
	Warm wind temperature	6 adjustable temperature settings (Neutral level included)
	Heating power	230W
	Safety device	Thermal fuse, Leakage protection device, Thermostat
Deodorization	Deodorization Method	Diatoms Deodorization

Heated seat	Surface temperature	6 adjustable temperature settings. (Neutral level included)
	Heating power	50W
	Open and close device	Quiet soft-closing
	Low temperature burning protection	After 10 minutes of use, the seat temperature will automatically be lowered to level 1
	Safety device	Seat sensor, temperature sensor, thermal fuse, thermostat, leakage protection device
Caring device	Night light setting	Intelligent / normally on / normally off
	Mute setting	The buzzer is turned off at night to prevent affecting sleep
	User ID setting	Prevent interference between multiple products and multiple users
	Off-seat automatic flush	Toilet can be automatically flushed when user leaves the seat.
Antibacterial part		Seat, Spray nozzle

Remote Control module FCC ID: 2AW23-VC360

This device complies with Part 15 of the FCC Rules. Operation is subject to the following two conditions:

- (1) this device may not cause harmful interference, and
- (2) this device must accept any interference received, including interference that may cause undesired operation.

Warning: Changes or modifications to this unit not expressly approved by the party responsible for compliance could void the user's authority to operate the equipment.

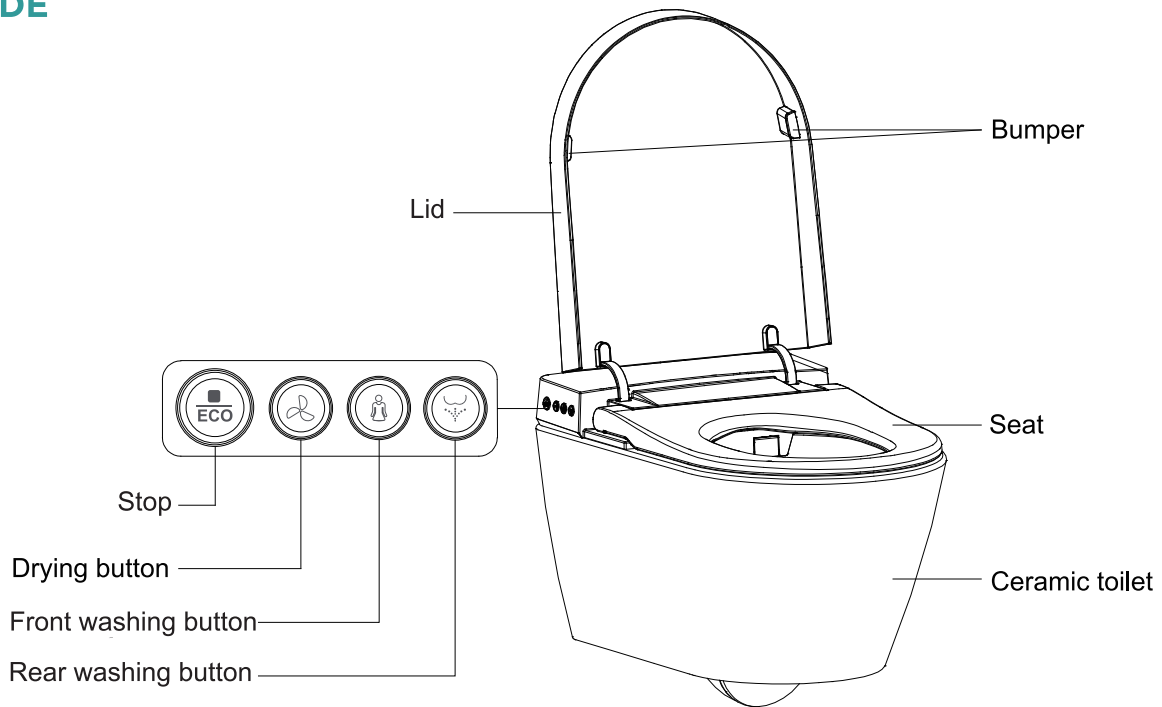
NOTE: This equipment has been tested and found to comply with the limits for a Class B digital device, pursuant to Part 15 of the FCC Rules. These limits are designed to provide reasonable protection against harmful interference in a residential installation. This equipment generates, uses and can radiate radio frequency energy and, if not installed and used in accordance with the instructions, may cause harmful interference to radio communications.

However, there is no guarantee that interference will not occur in a particular installation. If this equipment does cause harmful interference to radio or television reception, which can be determined by turning the equipment off and on, the user is encouraged to try to correct the interference by one or more of the following measures:

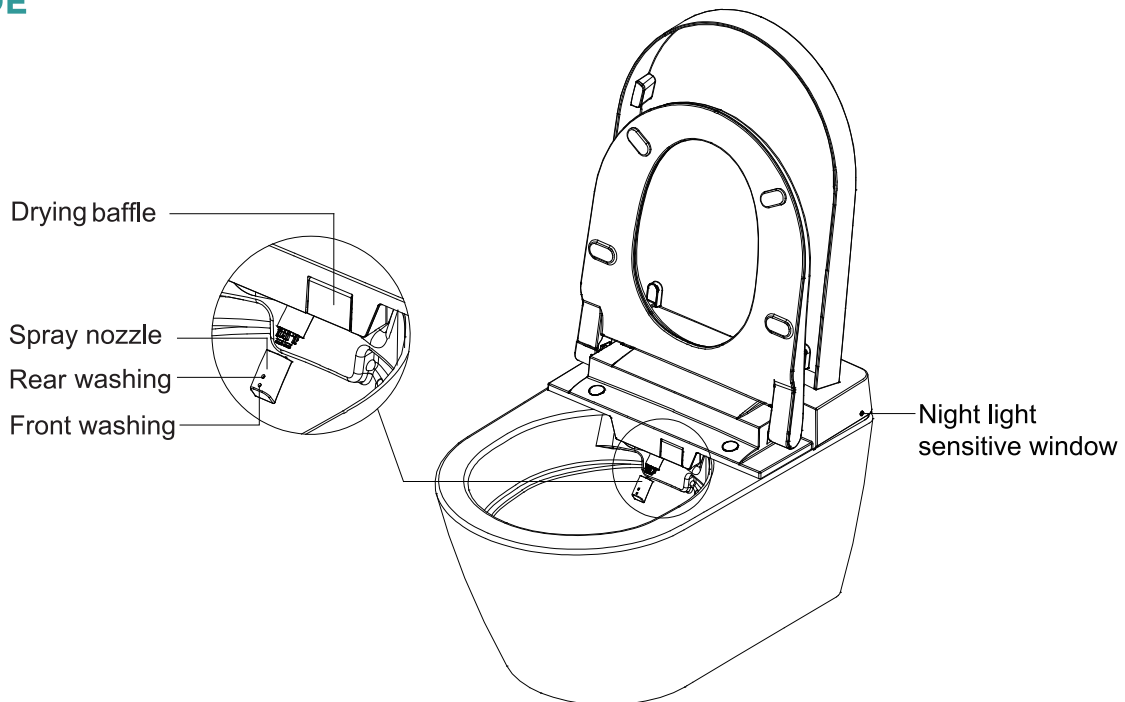
- Reorient or relocate the receiving antenna.
- Increase the separation between the equipment and receiver.
- Connect the equipment into an outlet on a circuit different from that to which the receiver is connected. Consult the dealer or an experienced radio/TV technician for help.

Parts Identification

LEFT SIDE



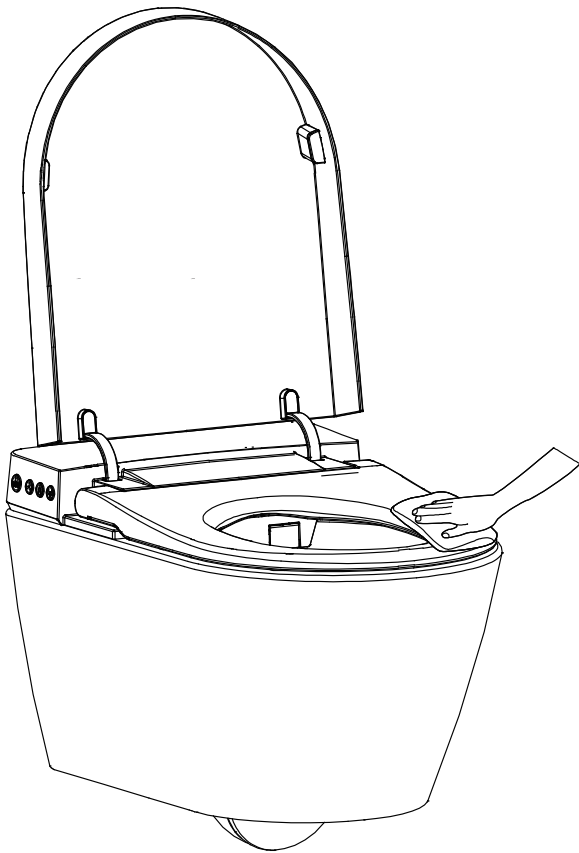
RIGHT SIDE



Daily Maintenance

Main Unit Maintenance

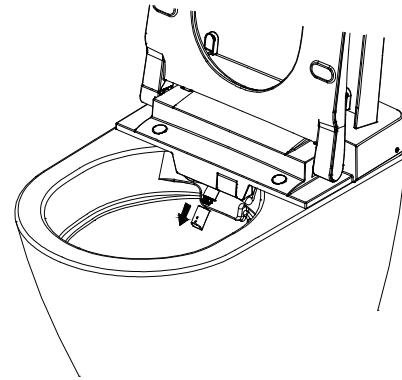
1. Disconnect the power before maintenance.
2. Use only a soft, damp cloth to clean.
Avoid using harsh chemicals.



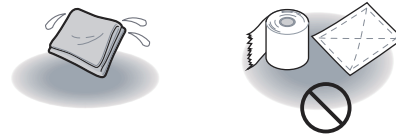
3. Safety self-inspection
 - After cleaning, re-connect the toilet with the power supply.

Spray Nozzle Maintenance

1. While not sitting on the unit, short press the “REAR/MOVE” Button on the main unit, the spray nozzle will extend outward and water will flow out.
2. The spray nozzle can be removed and cleaned separately. After the spray nozzle extends outward, hold the nozzle housing with one hand, remove the nozzle itself by gently pulling it towards with the other hand.



3. Use only a soft, damp cloth to clean.
Avoid using harsh chemicals.
DO NOT pull the nozzle housing outward or inward to prevent damage of the nozzle and motor.



4. Once cleaning is completed, re-install the nozzle to the nozzle housing. Press the “STOP” button on the main unit/remote control to return the nozzle rod to its normal position.

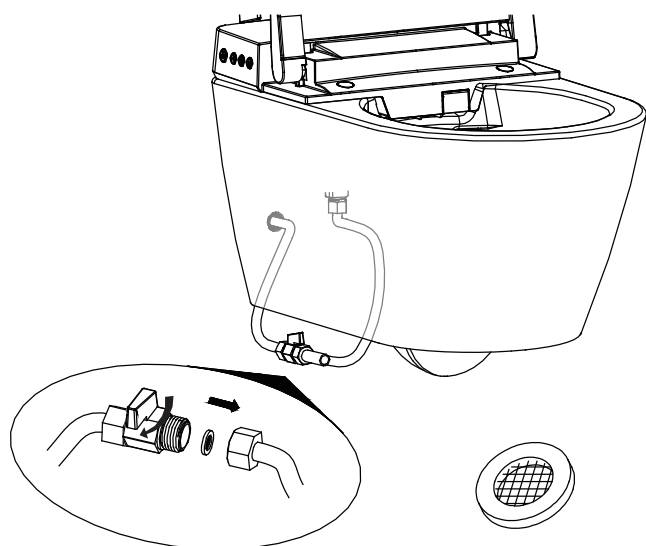
Tips: In this state, the nozzle rod will return to its normal position if sitting on the unit or no operation for 10 minutes.

Daily Maintenance

Filter Maintenance

If poor spray performance occurs under normal conditions:

1. Turn off the water supply at the ball valve switch and disconnect water inlet hose.



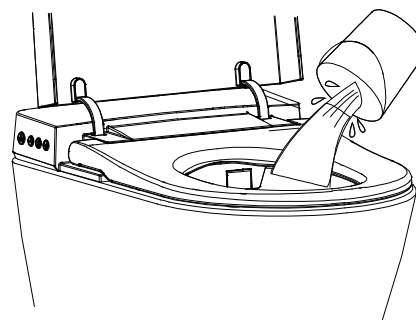
Connect the end of the cover seat

2. Remove the filter.
3. Clean out filter under running water.
4. Re-install the filter, re-connect water inlet hose and then turn on water supply.

Emergency troubleshooting

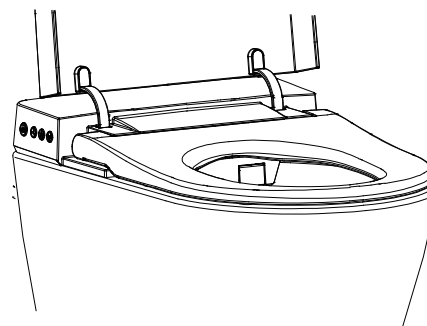
Water and power failure

1. How to flush the toilet in water and power failure:
 - Fill water in a large bucket (around 8L), flush the toilet from the center of the toilet bowl. Be careful to avoid water overflowing from the toilet.



Remote control is not working

1. Use the buttons on the main unit to operate.


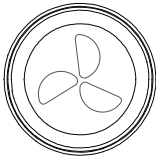




2. Remote control battery replacement:

Take down the remote control from the hanger, open battery cover and replace batteries, place the remote control back into the hanger.

Tips: When replacing batteries of remote control, the auto functions and energy saver settings will return to default and need to be reset.


Function description of main unit buttons

	<ol style="list-style-type: none"> 1. Long press the “STOP” button (for about 3s), the main unit will enter power-off mode (red light will turn off). Long press the “STOP” button again, the main unit will return to working mode (red light will turn on). In power-off mode, all buttons cannot be used except the “STOP” button on main unit. 2. While sitting on the unit, a short press to the “STOP” button can stop the ongoing front/rear washing or drying function. While not sitting on the unit, a short press to the “STOP” button can switch between working mode (red light) and energy saver (blue light).
	<p>While sitting on the unit, press “Dry” button to activate the drying function. Press “STOP” button to stop drying. It'll stop automatically after one cycle if the “STOP” button is not pressed.</p>
	<p>While sitting on the unit, press “FRONT/MOVE” button to activate front washing. During the front washing process, press “FRONT/MOVE” button to activate the front moving washing function. Press “STOP” button to stop washing.</p>
	<ol style="list-style-type: none"> 1. While sitting on the unit, press “REAR/MOVE” button to activate rear washing. During the rear washing process, press “REAR/MOVE” button to activate the rear moving washing function. Press “STOP” button to stop washing. 2. While not sitting on the unit, short press “REAR/MOVE” button, the rod will extend outward to allow access for washing. After washing is completed, short press “STOP” button to retract rod.

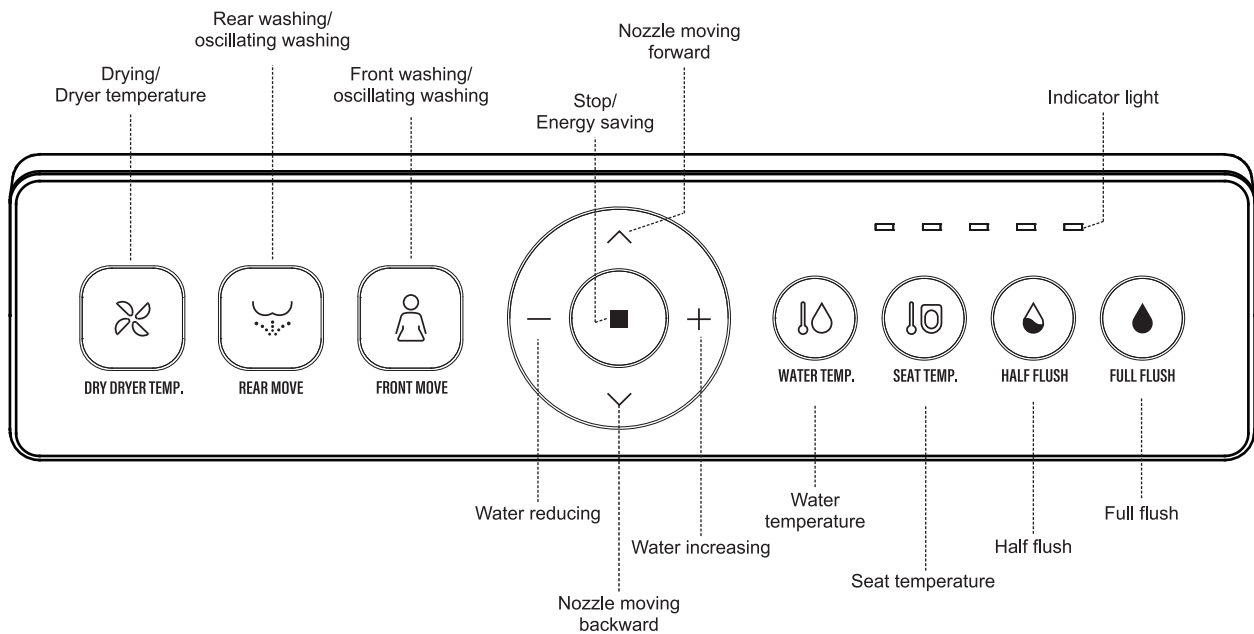
Tips:

1. In working mode, the power light is on and Energy Saver light is off. In Energy Saver mode, the power light is off and Energy Saver light is on. In standby mode, all lights are off.
2. All function settings are set to the middle level by default. Once the settings are changed by remote control or main unit buttons, these settings will be saved and stay unchanged for the next use.

TROUBLESHOOTING GUIDE

Problem	Cause	Solution
No Water is Released from the Spray Nozzle	Water Inlet hose is bent or kinked	Ensure inlet hose is connected to the unit and is not kinked or bent
	Inlet Stop Valve is turned "OFF"	Turn the ball valve switch "ON"
	Water supply is not connected	Connect water supply and wait for water to come
Poor Water Pressure	Water Inlet hose is bent or kinked	Ensure inlet hose is directly connected to the unit and is not kinked or bent
	Ball valve switch is not fully open	Turn the ball valve switch "ON"
	Inlet filter is blocked	Remove and clean the Filter as outlined in the section "Filter Maintenance"
High or Low Water Temperature	The Water temperature is set too high or too low	If the Water temperature is too hot or too cold, adjust the temperature on the remote control
High or Low Seat Temperature	The Seat temperature is set too high or too low.	If the Seat temperature is too hot or too cold, adjust the temperature on the remote control
	The unit is in Standby Mode	Switch to Operating Mode and wait about 3 minutes for the seat to warm up
High or Low Drying Temperature	The dryer temperature is set too high or too low.	If the dryer temperature is too hot or too cold adjust the temperature on the Remote control
Dryer is not blowing	The unit is in Standby mode or power saving mode	Switch to operating mode to use dryer function
Nozzle rod cannot retract	There is no power to unit	Manual retract nozzle rod gently. Wait for power.
	The Nozzle rod is clogged	Clean out the Nozzle as outlined in the "Nozzle Maintenance" section.
Nozzle rod cannot extend	There is no power to unit	Wait for power.
	User is not within the sensing area of the seat	Adjust position on seat to activate the sensor.
Remote control is not working	The batteries in the remote have been installed in the wrong direction or The batteries in the remote are lack of power and cannot supply enough power	Reinstall the batteries in the correct direction. Replace the batteries.
Malfunction of deodorization	User is not within the sensing area of the seat	Adjust position on seat to activate the sensor
	Deodorization function continues after user leaves	It is normal for the Deodorizing Function to continue operating after the user leaves the seat. This ensures complete removal of odors.
 Attention	If the problems cannot be solved by above methods, please turn off the power and contact service provider for maintenance.	
	If the leakage circuit breaker often trips off, it means the unit has electricity leakage, please turn off the power and contact service provider for maintenance.	

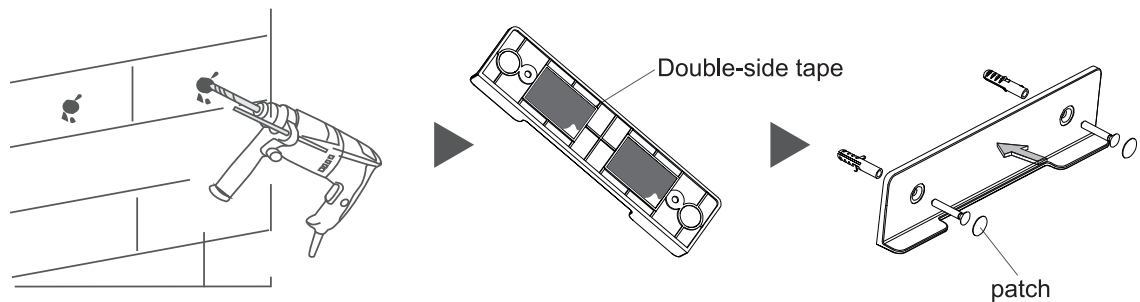
REMOTE CONTROL USER MANUAL (PAGES 25 TO 31)



Remote control installation

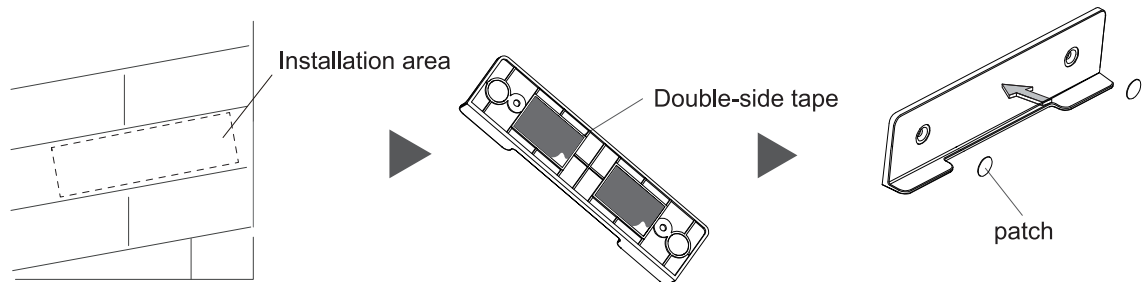
Remote control holder installation 1:

1. Drill two 6mm diameter holes in the wall at a distance of about 130.7mm, a depth of about 35mm.
2. Remove the double-sided adhesive tape on the back of the holder.
3. Install an anchor in each of the holes, stick the holder to the wall and secure with screws and then stick the patch with tape.



Remote control holder installation 2:

1. Clean and dry the pre-installation area of the holder.
2. Remove the double-sided adhesive tape on the back of the holder.
3. Stick the holder to the wall vertically and then stick the patch with tape.



Battery Installation:

1. Insert batteries into the remote control.
2. Put the remote control to the holder.



- Notice:**
1. Please ensure the remote control is within reach when a person on the seat.
 2. Do not install and use the product in damp places such as shower room.
 3. Do not place the product in a place where it is easily exposed to water.

Usage Instructions

NOTICE:

- Only when the user is seated and the buzzer beeps can the functions of front/rear washing and drying be activated.
- Please sit backward on the seat for correct washing position and to avoid splashing.
- The nozzle will continue to spray for 1-2 seconds after user stands up during washing, so please press "STOP" button before standing up.

REAR|MOVE



· Press " " button, the indicator light is on showing current water temperature level, it starts rear washing; Press again " " button to shift to oscillating washing (nozzle moves forward and backward to expand washing area). The washing will stop automatically after one cycle, while it will stop immediately if the user presses " ■ " button.

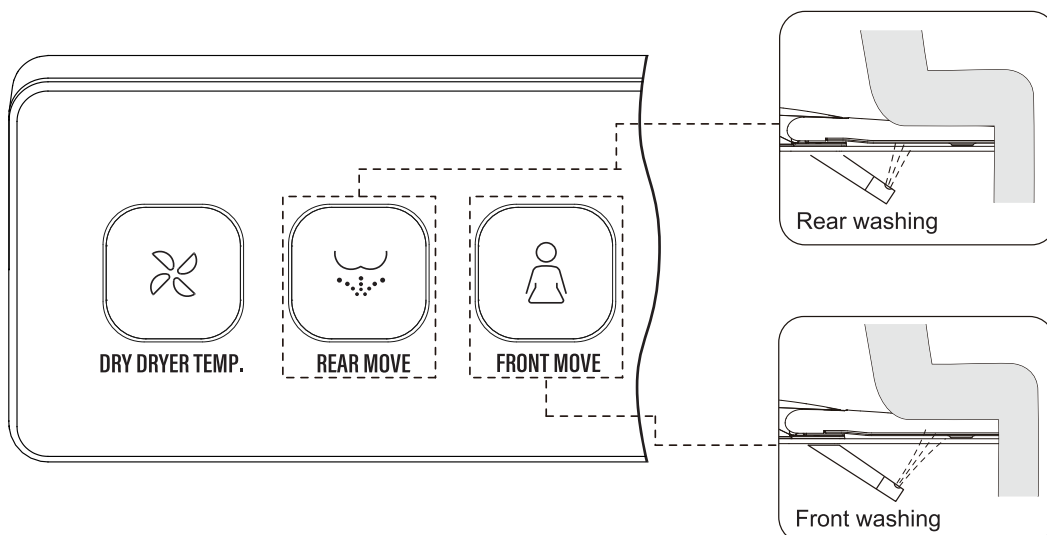
FRONT|MOVE



· Press " " button, the indicator light is on showing current water temperature level, it starts front washing; Press again " " button to shift to oscillating washing (nozzle moves forward and backward to expand washing area). The washing will stop automatically after one cycle, while it will stop immediately if the user presses " ■ " button.

Pulse cleaning function (Only for the toilet with pulse cleaning function.)

· During front/rear washing, long press " " or " " button to turn on/off pulse cleaning mode.



DRY|DRYER TEMP (Only for the product with drying function)



① Press "🌸" button, the indicator is on, showing current air temperature level. It will stop drying automatically after one cycle or after leaving.

DRY DRYER TEMP.

② Under drying, press "🌸" button to adjust the air temperature between 0-5 level, and the indicator light is on showing the air temperature level. When the indicator light is off, the temperature is at level 0 (room temperature).



Room
temperature



Level 1



Level 2



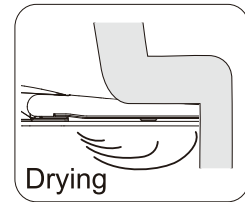
Level 3



Level 4



Level 5

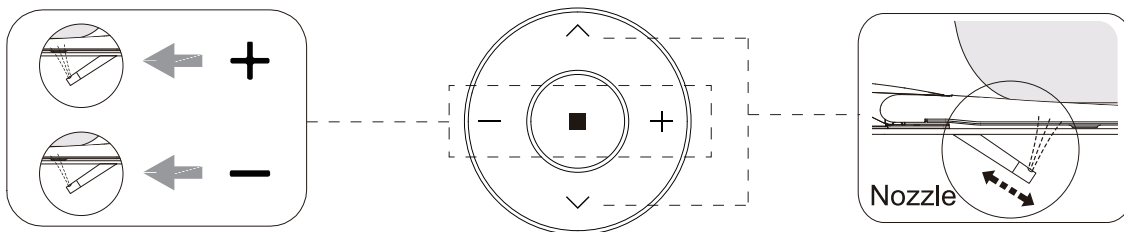


Water volume adjustment

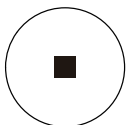
- Press "+" or "-" button when it is under function of rear washing or front washing, the indicator light is on showing current water volume level, and water volume can be adjusted.

Nozzle position adjustment

- Press "Λ" or "V" button when it is under function of rear washing or front washing, the indicator light is on showing current nozzle position, and nozzle position can be adjusted in 5 levels.



Energy saving



Long press "■" button to enter energy saving mode, long press "■" button again to exit energy saving mode.

Energy saving

Under energy saving mode, seat temperature is set to Level 1 for energy saving.

(Note: If the seat temperature before energy saving is neutral, then it will be neutral as well.)

Remark

Energy saving mode will be suspended and the product will enter functional mode if the seat is used. The seat starts to heat immediately (without closing the seat temperature), and the energy saving mode is restored once the seat is no longer being used.

Water temperature adjustment



WATER TEMP.

Short press "🌡️" button to adjust the water temperature between 0-5 level. The indicator light is on showing current water temperature level. When the indicator is off, the temperature is at Level 0.



Seat temperature adjustment



SEAT TEMP.

Short press "🪑" button to adjust the seat temperature between 0-5 level. The indicator light is on showing current seat temperature level. When the indicator is off, the temperature is at level 0 (room temperature).



Night light (Only for the toilet with night light function)

- Night light adjustment: Long press "🌡️" button to turn on/off night light.
- Intelligent mode: Long press "🪑" button to enter into intelligent mode (Night light will be on or off depending on the surrounding light.). If the product is on intelligent mode, long press "🌡️" button to exit intelligent mode. (Factory setting: intelligent mode)

Half flush/Full flush (Only for the toilet with auto flush function)



HALF FLUSH

· Short press "💧" button, the toilet starts half flushing.

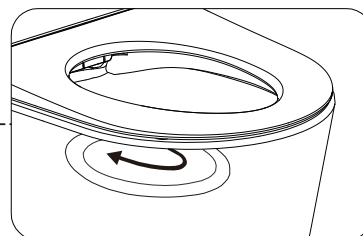
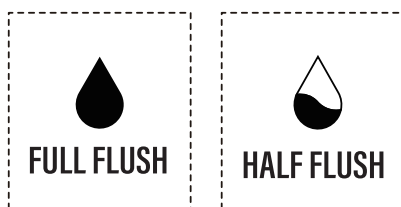
· Short press "💧" button, the toilet starts full flushing.



FULL FLUSH





· Long press "💧" button to turn on/off auto flush function.

When the auto flush function is turned on, toilet will automatically flush after detecting user leaving the seat.





Water tank flush volume adjustment

(Only for the toilet with water tank flush volume adjustment function)



- Press and hold "  " button, and press the water volume " + " button to increase full flush volume by 1 level.
- Press and hold "  " button, and press the water volume " - " button to reduce full flush volume by 1 level.
- Press and hold "  " button, and press the water volume " + " button to increase half flush volume by 1 level.
- Press and hold "  " button, and press the water volume " - " button to reduce half flush volume by 1 level.

User code



- Radio frequency remote control
- ① Shut off the power supply of toilet.
 - ② Press and hold "  " button, then press "  " button, the indicator light will flash.
 - ③ Re-connect the power plug and press "reset" button.
 - ④ The indicator stops flashing and stays on for 2 seconds, indicating that the remote control and the toilet are matched successfully. It beeps once when the self-inspection completes. Then the remote control is ready for use.

Other operations


Auto deodorization

- Press and hold "  " button and press "  " button to turn on/off auto deodorization function. The deodorization function will be automatically turned on when the user is seated, and will stop after leaving. Under drying, deodorization will stop. (This function is turned on by default.)

Quite mode

- Press and hold "  " button and press "  " button to turn on/off quite mode.

Sterilization function

- When no one seated and washing/drying is off, long press "  " button to turn on plasma sterilization function. This function will stop automatically after 2 hours. Under this mode, if any other button is pressed or user is seated, it will stop automatically. (Only for the toilet with sterilization function.)

Automatic pre-wash function

- Press and hold " ■ " button and press " ● " button to turn on or off the automatic pre-wash function. After the automatic pre-wash function is turned on, the pre-wash function is performed when the user is detected to be seated. (Only for the toilet with automatic pre-wash function.)

Foot sensor function

- Long press " ● " button to turn on/off foot sensor function. Foot sensor is deactivated when the user is seated. (Only for the toilet with foot sensor function.)

Foot sensor indicator

- Press and hold " ■ " button, and press " ● " button to turn on/off foot sensor indicator. (Only for the toilet with foot sensor indicator.)

APP code matching

- Press and hold " ⏸ " and " ⏸ " button simultaneously for longer than 3 seconds to start APP code matching. (Only for the toilet with APP)

Electronic bidet tank flushing

- Press and hold " ● " and " ● " button simultaneously for longer than 3 seconds to start the flushing by water tank of electronic bidet. (Only for the toilet with electronic bidet tank flushing function.)

Remark:

- The buzzer will "BEEP" once when the user presses one button indicating that the main unit receives the signal and conduct the operation accordingly. If the buzzer doesn't sound, it means the main unit doesn't receive the signal, please adjust the remote control direction and repress the button.
- In case of power cut during nozzle spraying, the wand cannot be retracted, please wait until the power is restored. In case of a power cut for a long period, please push the wand softly back by hand. Do not push hard, to avoid damage to wand and electrical machine.

RETAIN THIS INSTALLATION MANUAL
FOR FUTURE REFERENCE.

Thank you for choosing FINE FIXTURES.