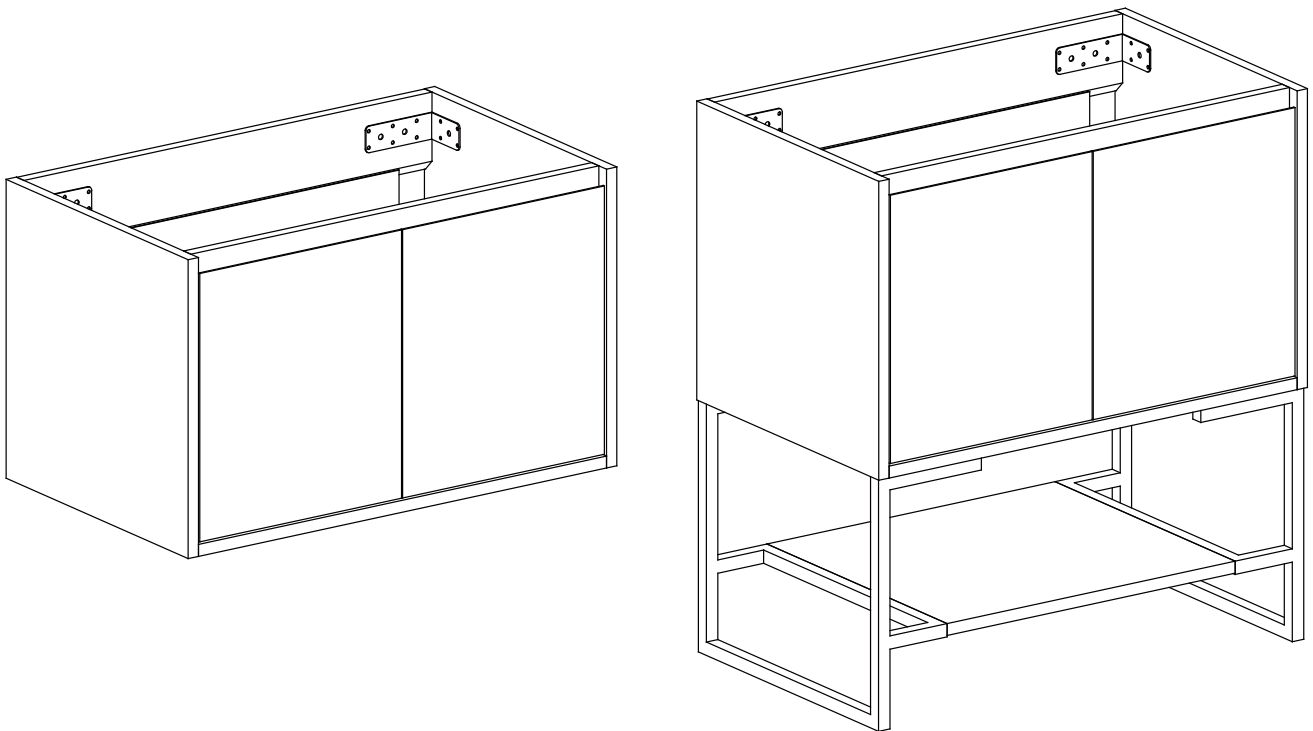
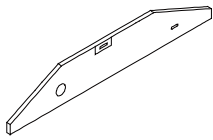
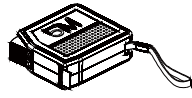


# INSTRUCTION

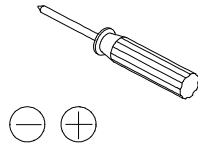




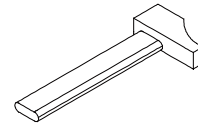
Spirit level



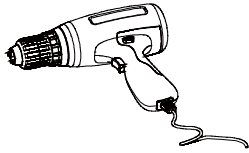
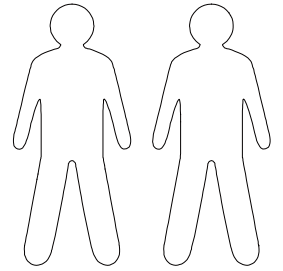
Tape measure  
(3m~5m)



Screwdriver



Hammer



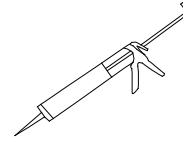
Electric drill



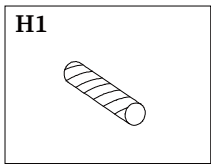
Drill bit  
(Ø8)



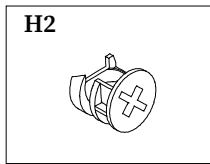
Pencil



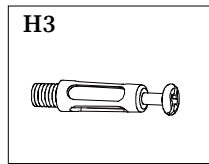
Silicone



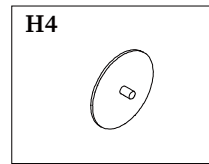
H1  
8\*φ8\*30



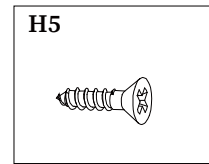
H2  
18\*



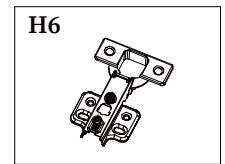
H3  
18\*



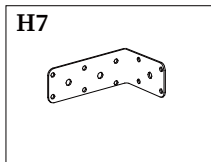
H4  
18\*



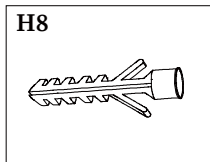
H5  
44\*φ4\*16



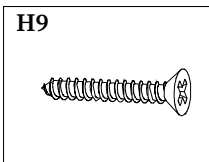
H6  
4\*



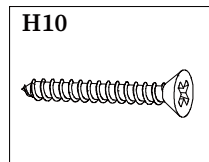
H7  
2\*



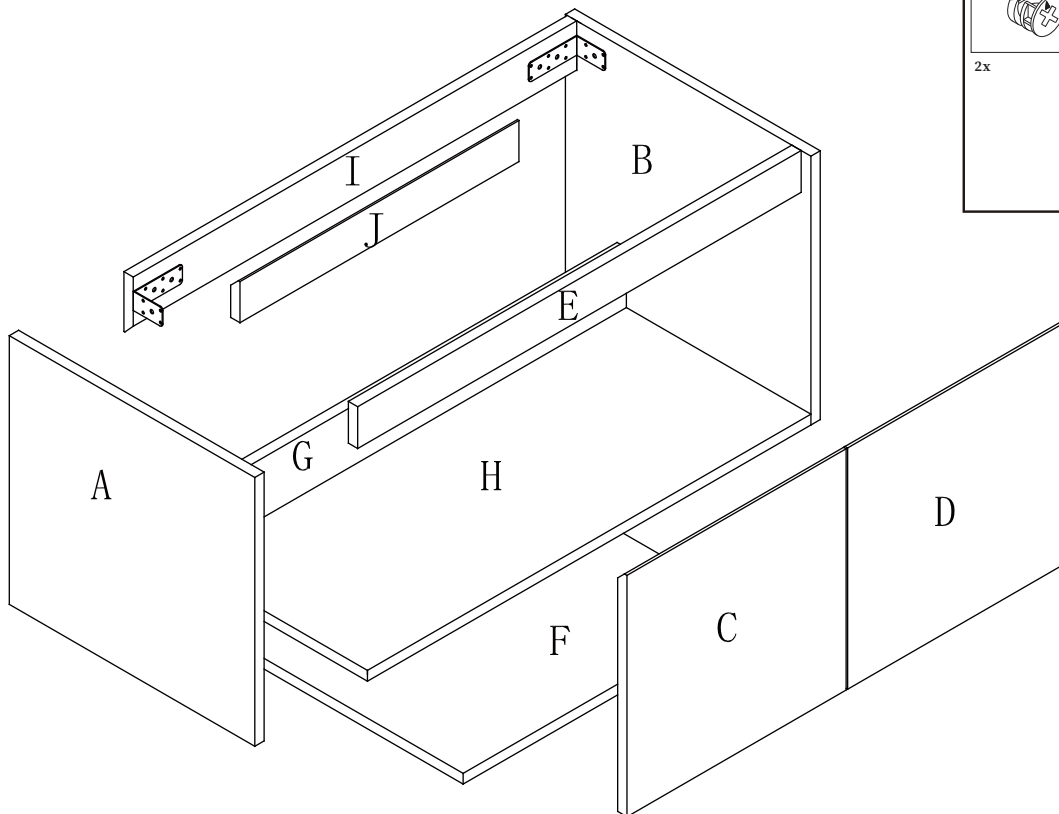
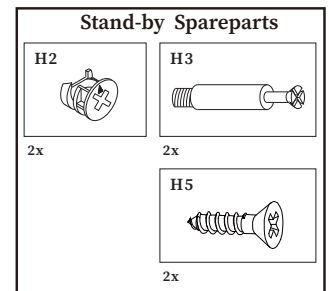
H8  
8\*φ8\*40

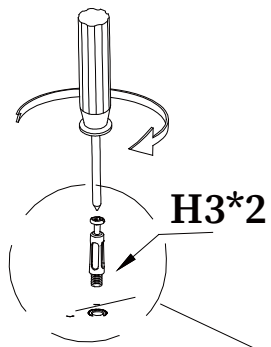
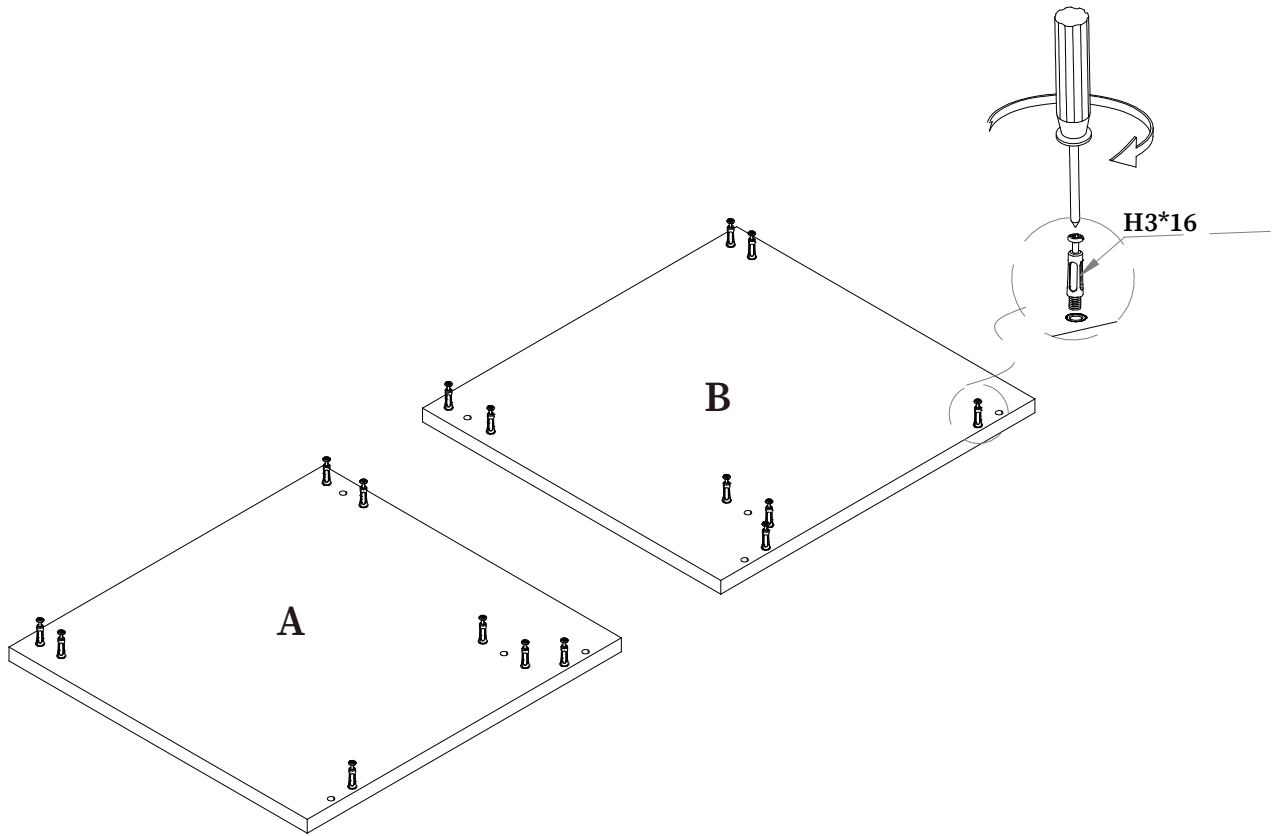


H9  
4\*φ4\*50

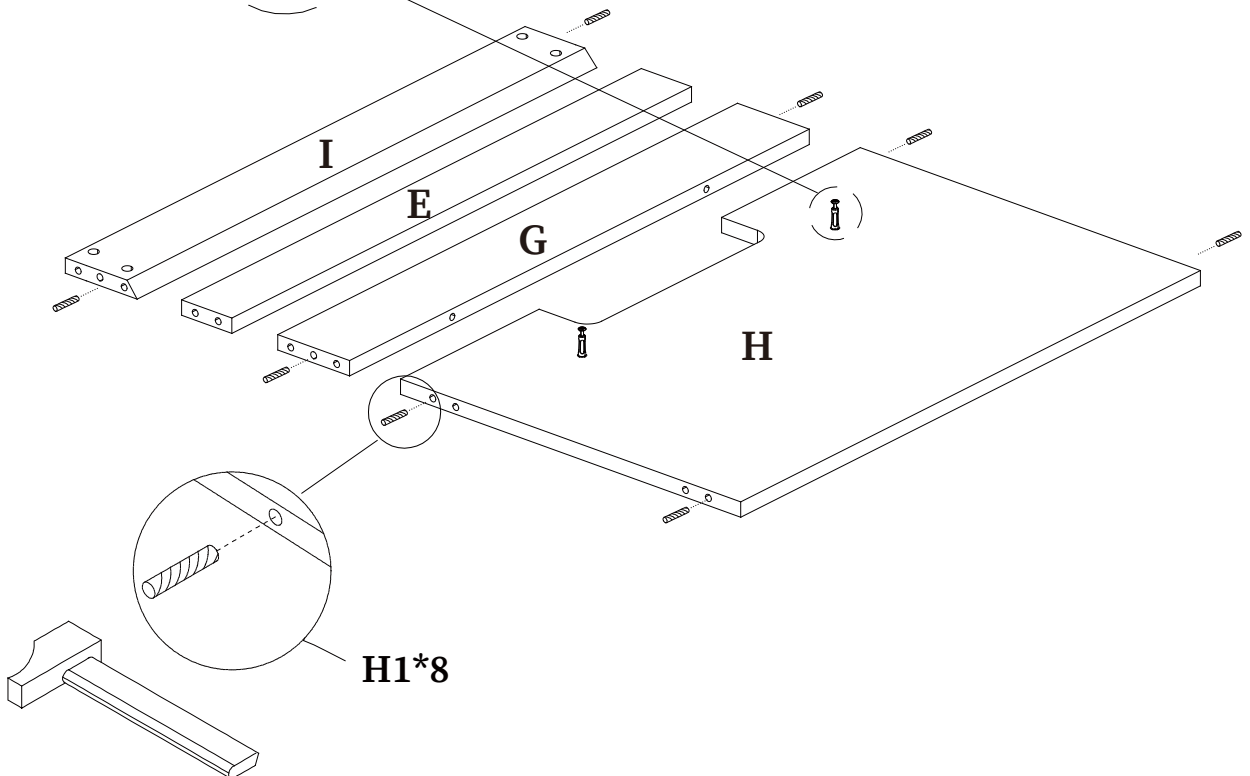
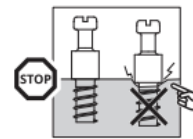


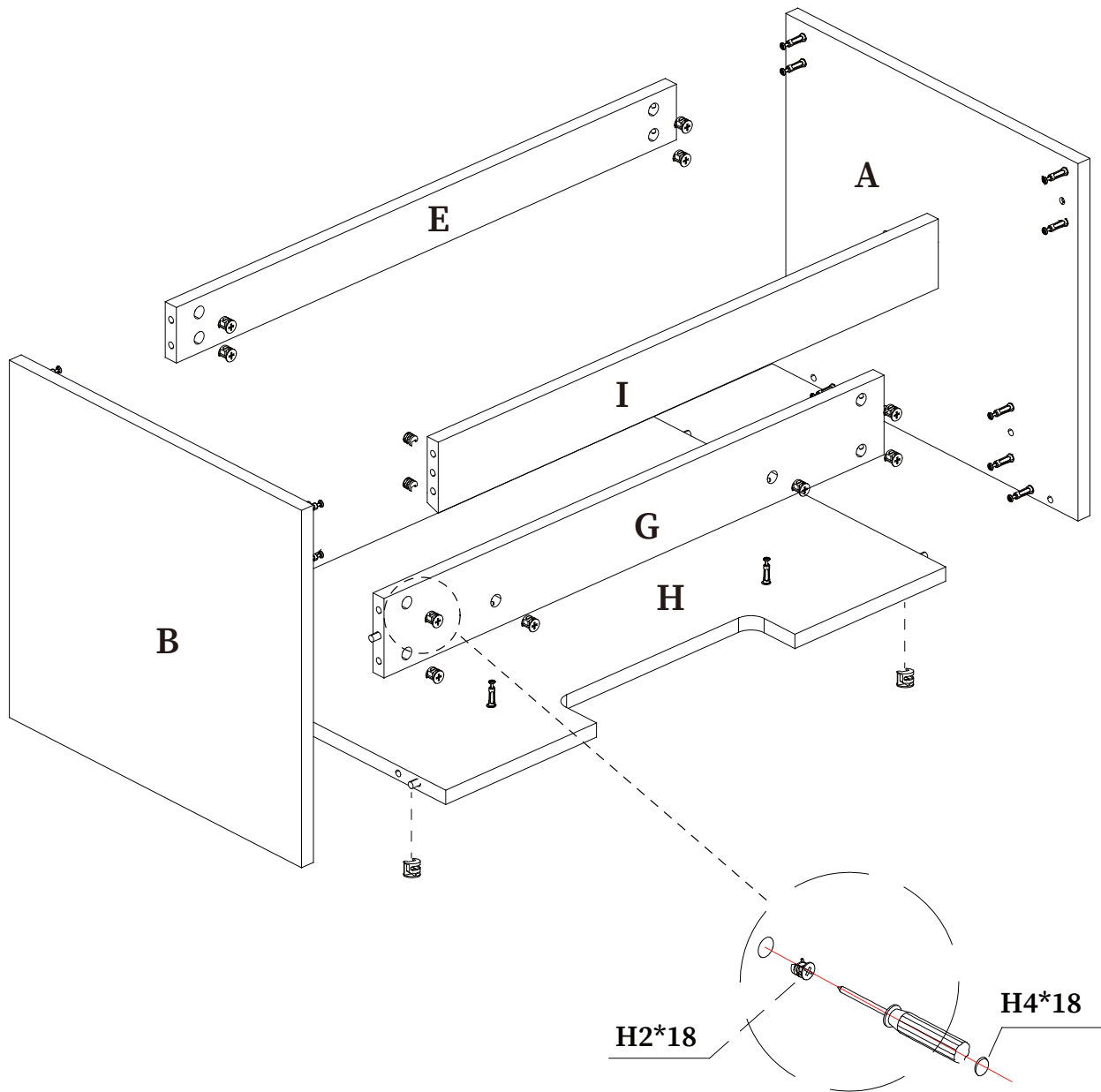
H10  
4\*φ4\*70

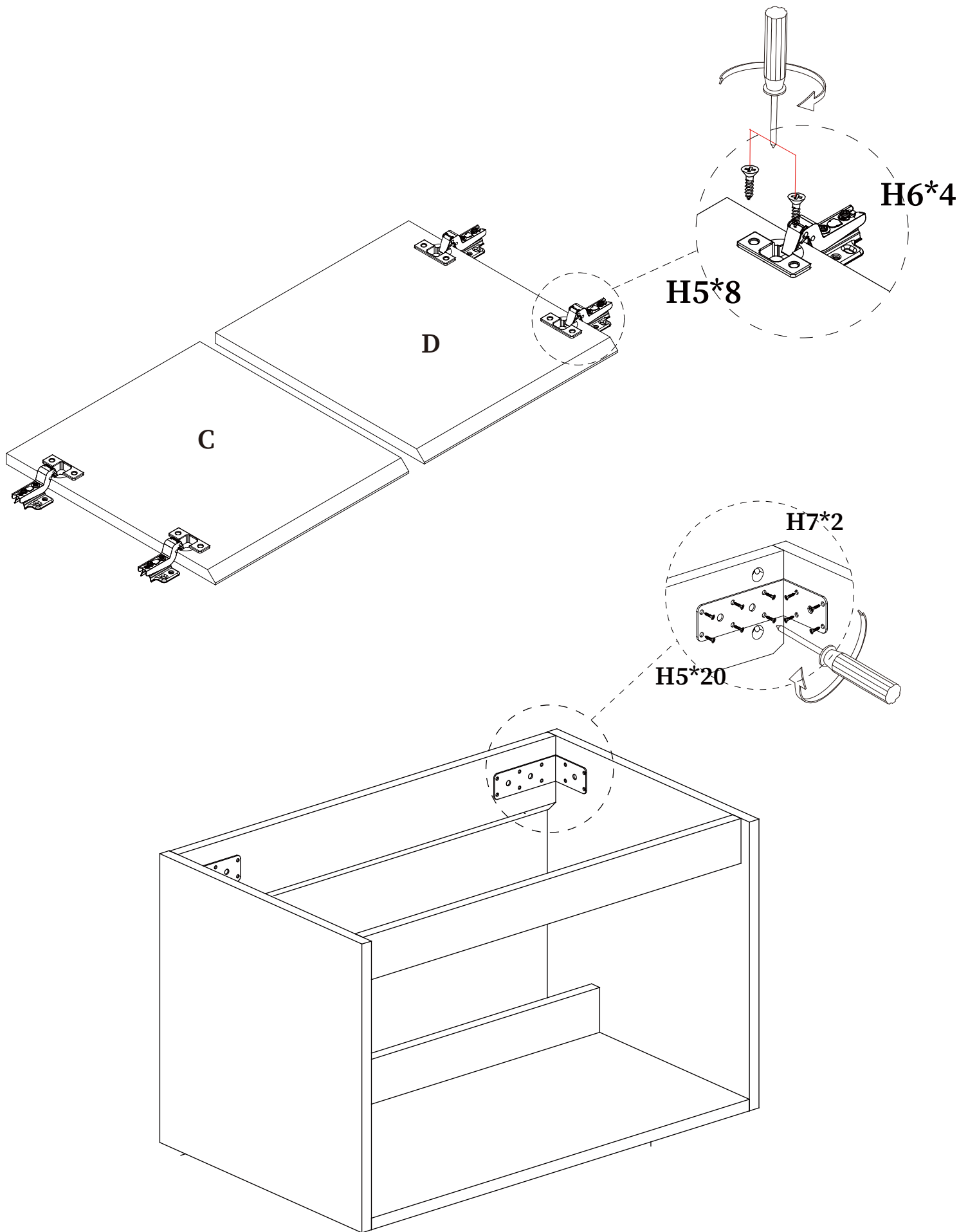


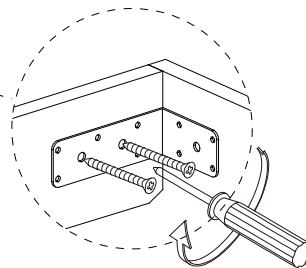
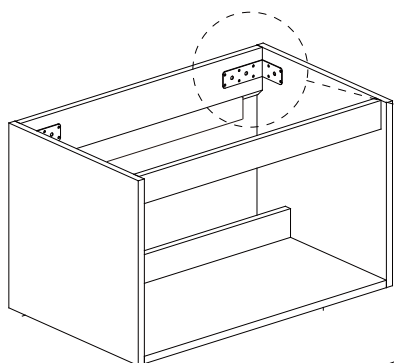
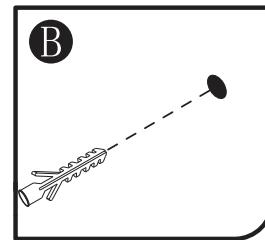
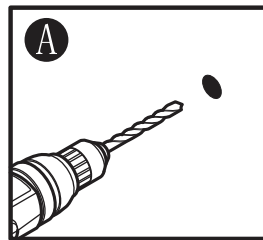
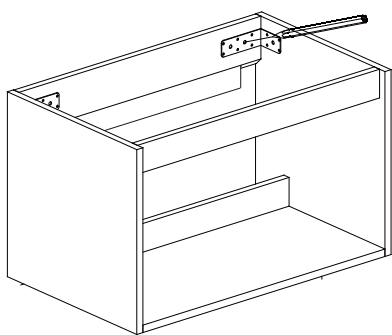
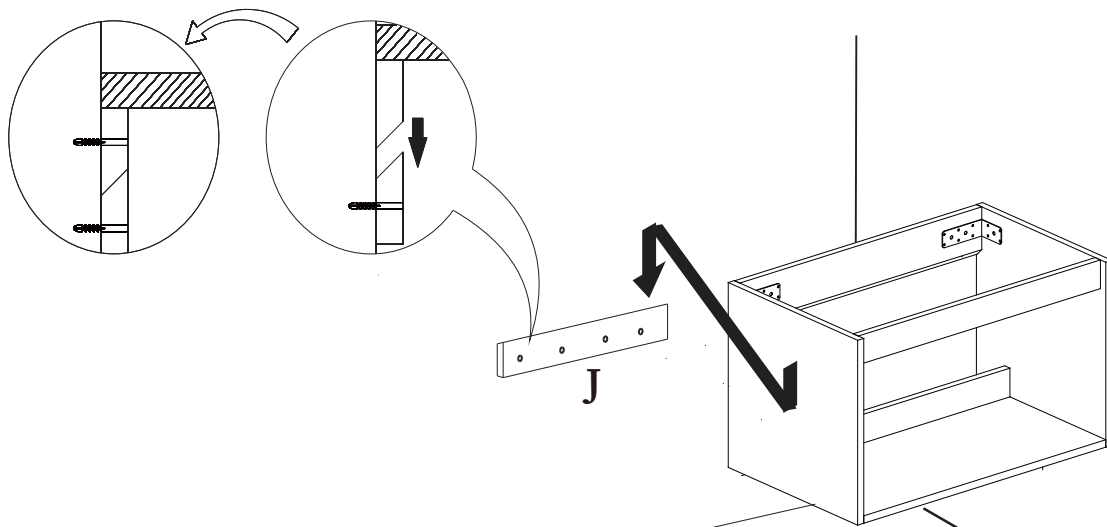


Right side

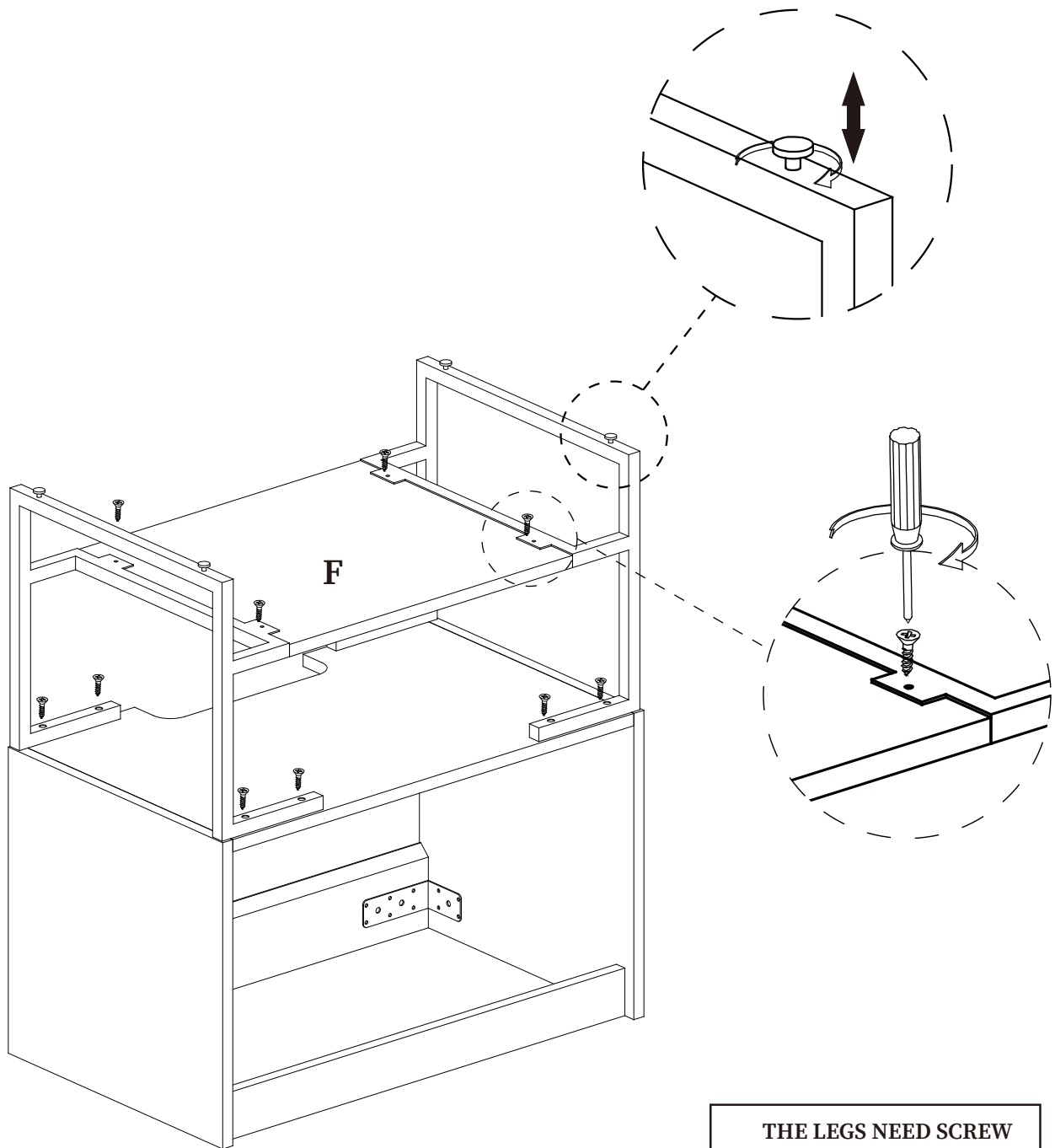




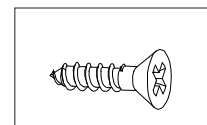




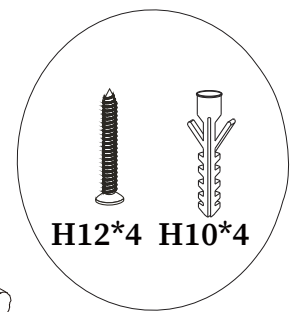
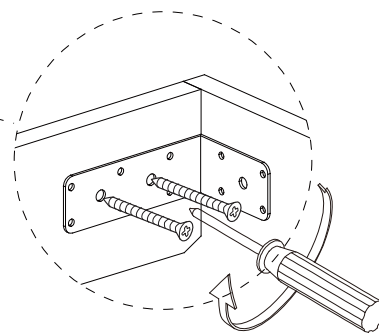
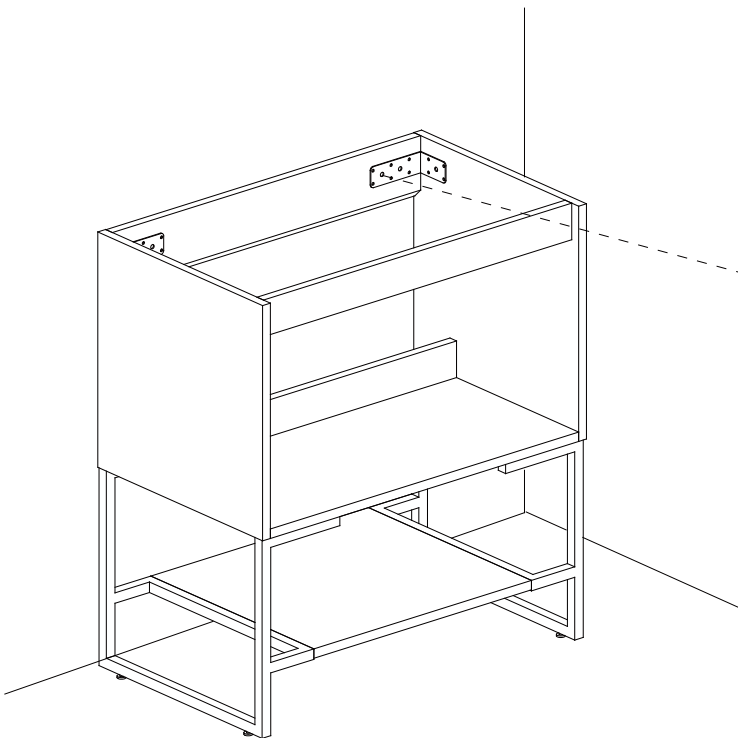
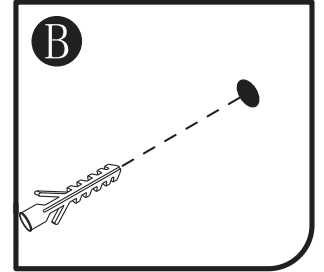
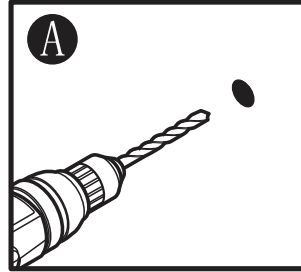
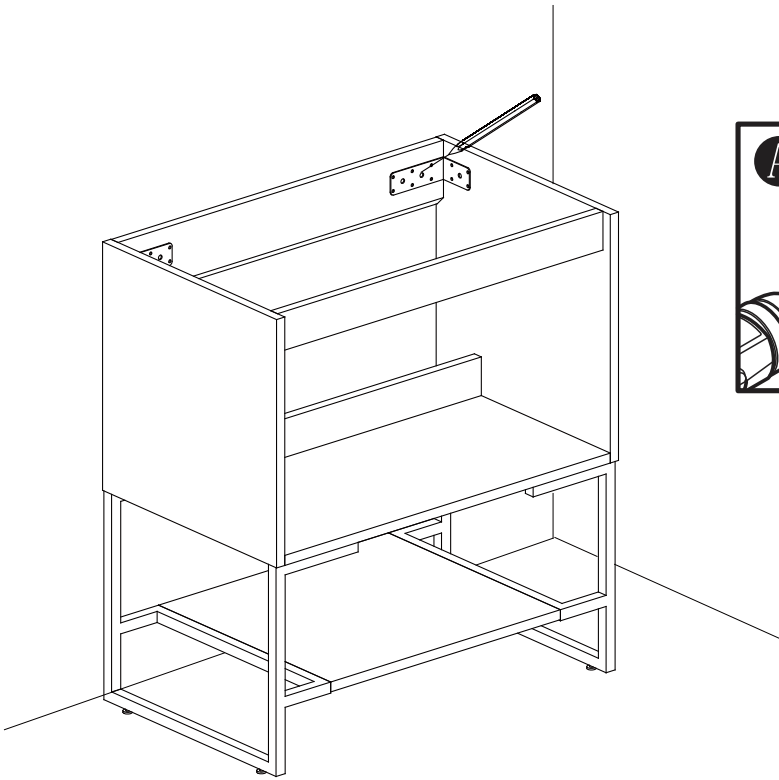
(Allen legs assembly optional)



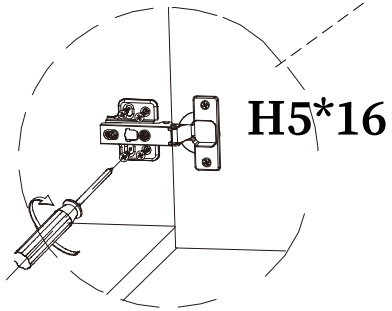
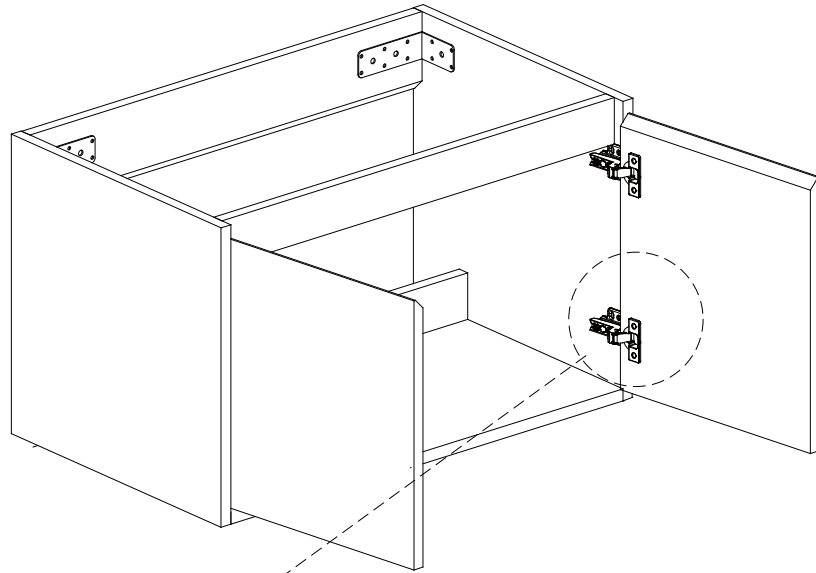
THE LEGS NEED SCREW



16x







### HINGE ADJUST DETAIL

