


Share your pictures for a feature!
using #SwissMadison 

www.swissmadison.com
1-434-MADISON
19 Stults Road, Dayton, NJ 08810

Wall Hung Toilet

MODEL: IVY SM-WT450

To ensure this product is installed properly, please read these instructions carefully before you begin.
(Certain Installations may require professional help.)

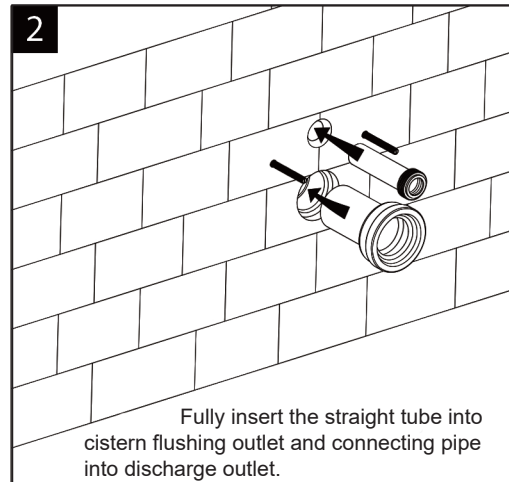
⚠ CAUTION: PRODUCT IS FRAGILE. TO AVOID BREAKAGE AND POSSIBLE INJURY HANDLE WITH CARE!
NOTE: Pictures may not exactly define contour of china and components.

RECOMMENDED TOOLS AND MATERIALS

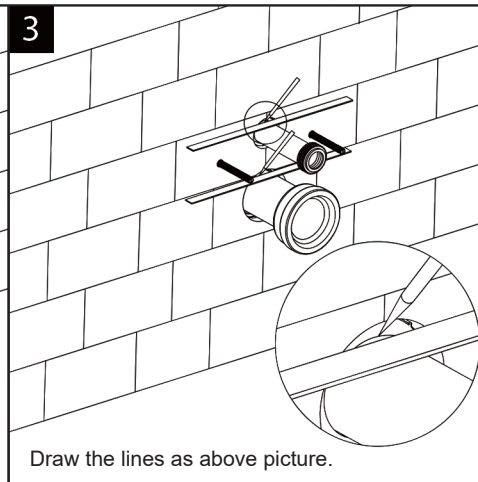
Putty Knife	Regular Screwdriver	Adjustable Wrench	Tape Measure	Sealant
Hacksaw	Flexible Supply Tube	Closet Bolts	Carpenters Level	

1 REMOVE OLD TOILET

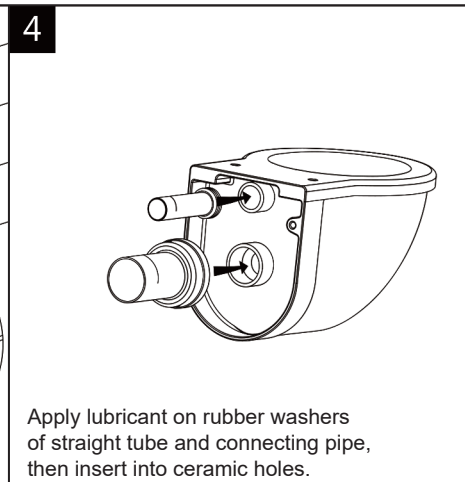
- Close toilet supply valve and flush tank completely. Towel or sponge remaining water from tank and bowl.
- Disconnect and remove supply line. NOTE: *If replacing valve, first shut off main water supply!*
- Remove old mounting hardware, remove toilet and plug wall waste opening to prevent escaping sewer gases.
- Remove closet bolts from flange and clean away old wax, putty, etc. from base area.
NOTE: *Mounting surface must be clean and level before new toilet is installed!*



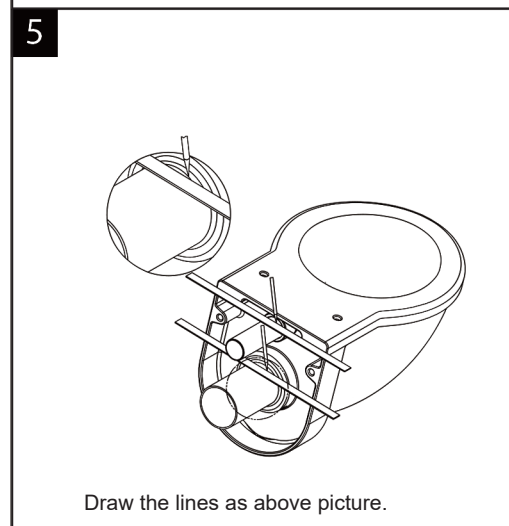
Fully insert the straight tube into cistern flushing outlet and connecting pipe into discharge outlet.



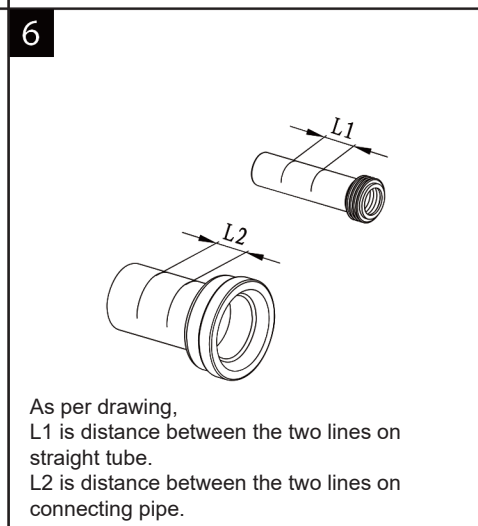
Draw the lines as above picture.



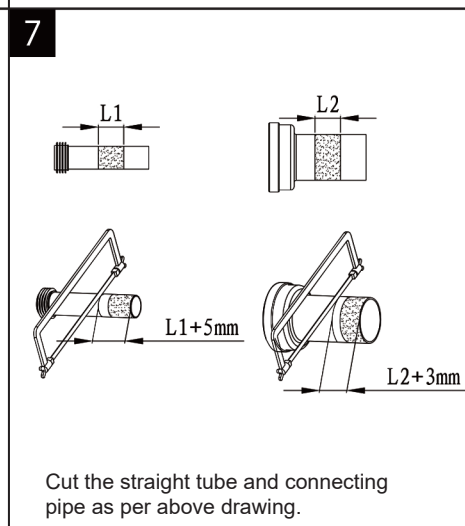
Apply lubricant on rubber washers of straight tube and connecting pipe, then insert into ceramic holes.



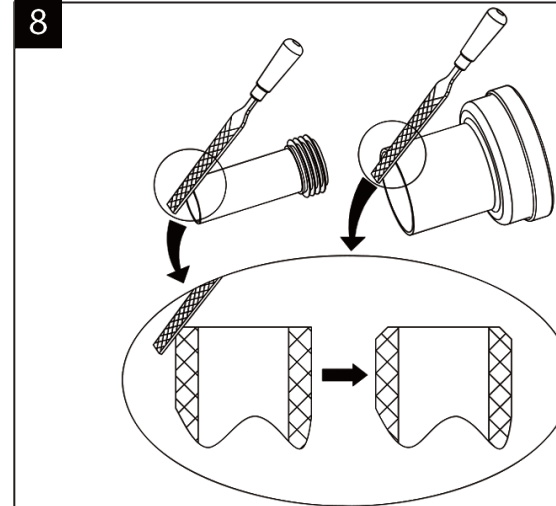
Draw the lines as above picture.



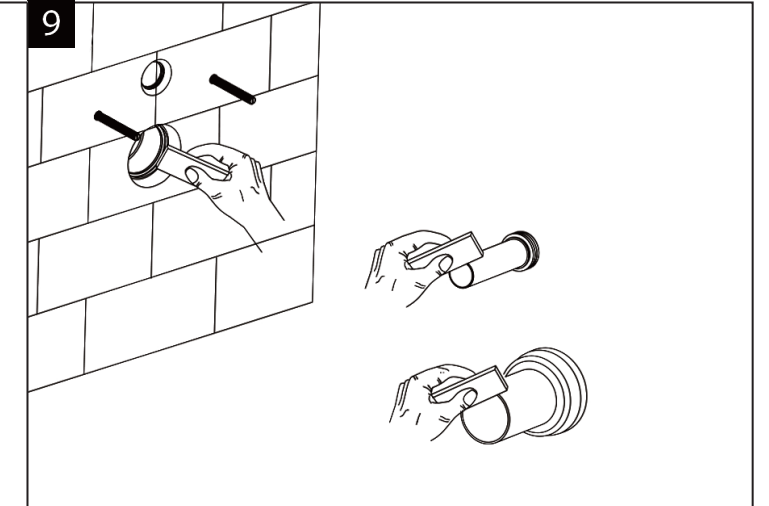
As per drawing, L1 is distance between the two lines on straight tube. L2 is distance between the two lines on connecting pipe.



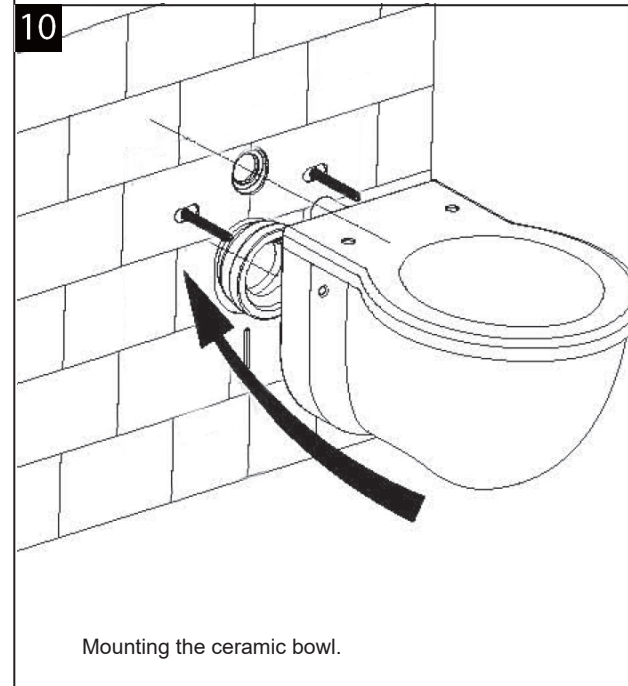
Cut the straight tube and connecting pipe as per above drawing.



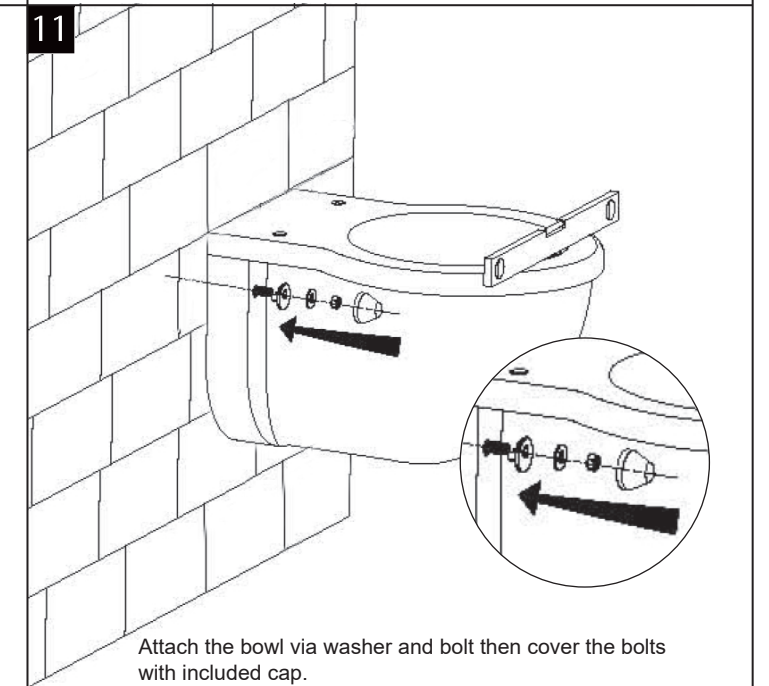
Polishing the cutting surface to get chamfer angle as per drawing and deburring.



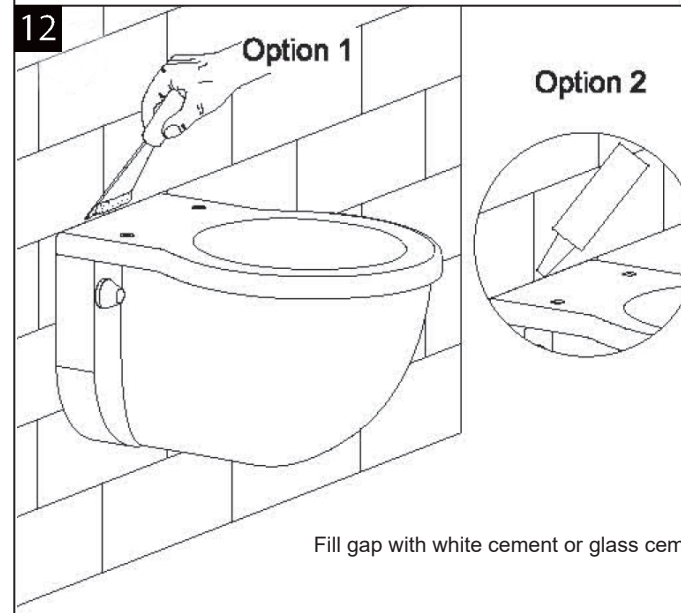
Apply lubricant on joint surface of straight tube and connecting pipe.



Mounting the ceramic bowl.



Attach the bowl via washer and bolt then cover the bolts with included cap.



Fill gap with white cement or glass cement.