

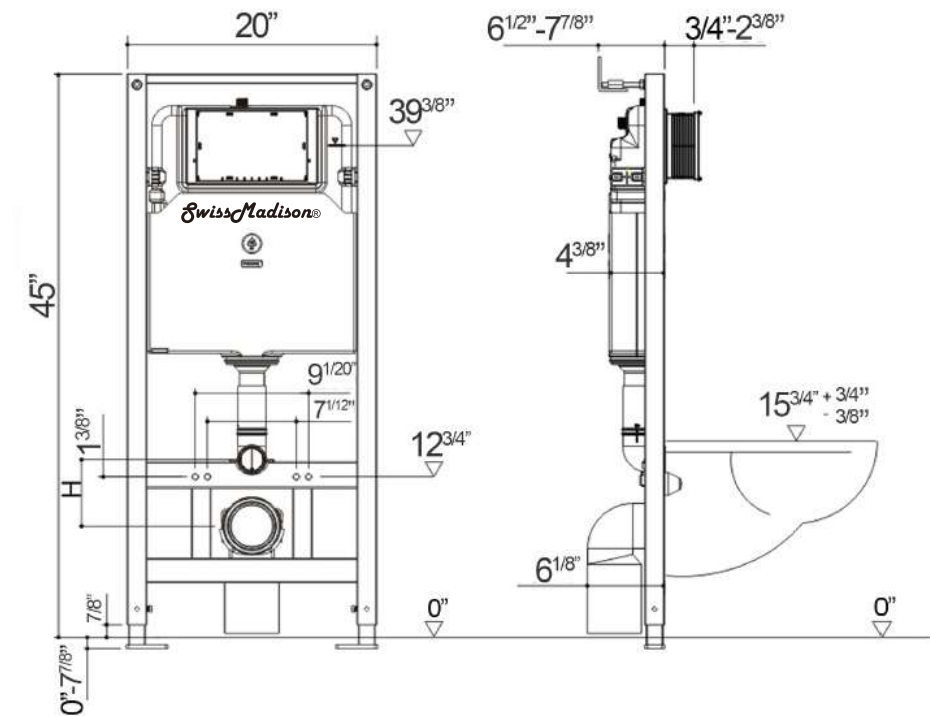
Share your Toilet on Instagram

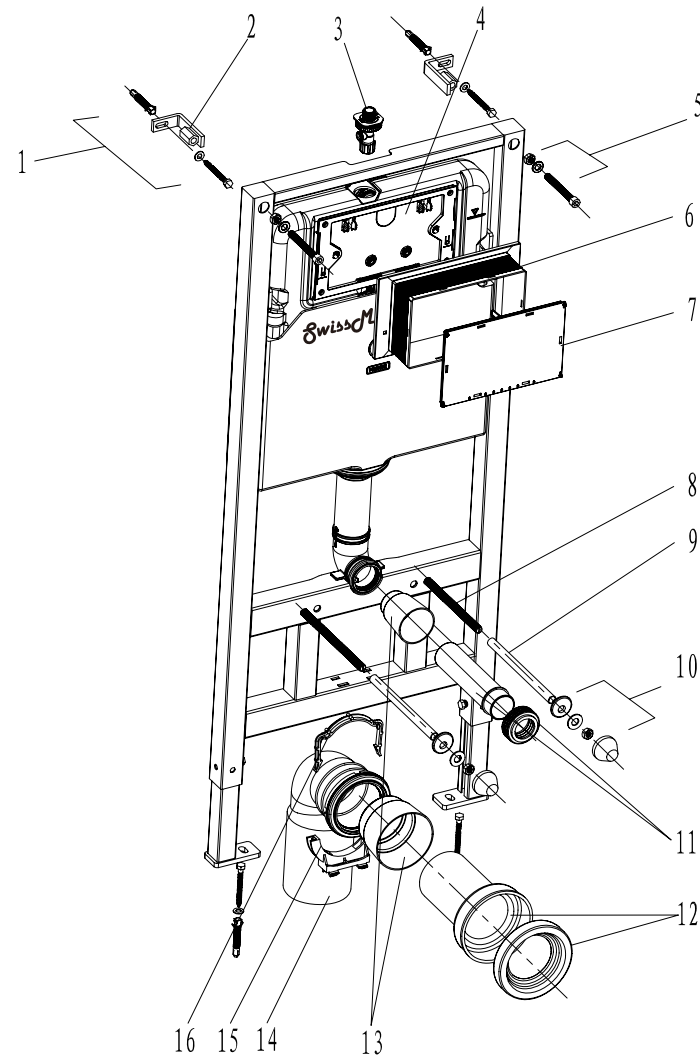


@swissmadison
#onepietoeilet
s #BathFixtures



Wall Hung Toilet Carrier Concealed Tank System By SwissMadison





List of main installation accessories

NO.	Description	Qty	Function
1	Expansion screw	4	Mounting of frame and wall bracket
2	Wall bracket	2	Fixation of frame
3	Angle valve	1	Fill valve inlet and shut-off
4	Cistern cover	1	Airproof tank and mounting of locking bracket
5	Socket head screw	2	Mounting of frame and locking into wall bracket
6	Plastic holder	1	To reserve space for installation of actuator at wall building
7	Plastic holder cover	1	To prevent dust and impurities into tank at wall building
8	Connecting screw	2	To mount ceramic bowl
9	Protective cover	2	To protect connecting screw at wall building
10	Ceramic bowl fixing accessories	2	To mount ceramic bowl
11	Straight tube	1	To joint cistern into ceramic bowl
12	Connecting pipe	1	(cutting in accordance with wall thickness)
13	Piping stopper	2	To reserve space for straight tube and connecting pipe
14	Draining syphon	1	To discharge liquid and solid waste from ceramic bowl.
15	Draining syphon holder	1	To mount draining syphon
16	Mounting bracket	1	

SwissMadison® LIMITED LIFETIME WARRANTY

This product has been manufactured and tested to the highest quality standards by SwissMadison Inc. We offer our customers thoughtfully crafted fixtures & accessories, engineered for enduring performance over years of use.

WHO IS COVERED BY THE WARRANTY

This warranty extends to the original purchaser only. This warranty is not transferable, between homes or owners and is only applicable to residential use.

WHAT IS COVERED BY THE WARRANTY

SM® warranties this product against defects due to material or craftsmanship error during the warranty period: SM® will provide replacement parts at no charge, or at its option, replace any product or part of the product that is deemed defective, under normal installation, use, service and maintenance. If SM® is unable to provide a replacement and repair is not practical or cannot be made in timely fashion, SM® may elect to refund the purchase price in exchange for the return of the product.

CONDITIONS AND EXCLUSIONS

Like other home fixtures, SM® products will require light maintenance to ensure proper function. We provide you with complete knowledge to perform this maintenance and can also recommend resources if you are unable to fulfill this service.

A. SM® will not be responsible for product failures due to lack of maintenance or proper use. Please read your care and maintenance documentation to determine the limits of proper use.

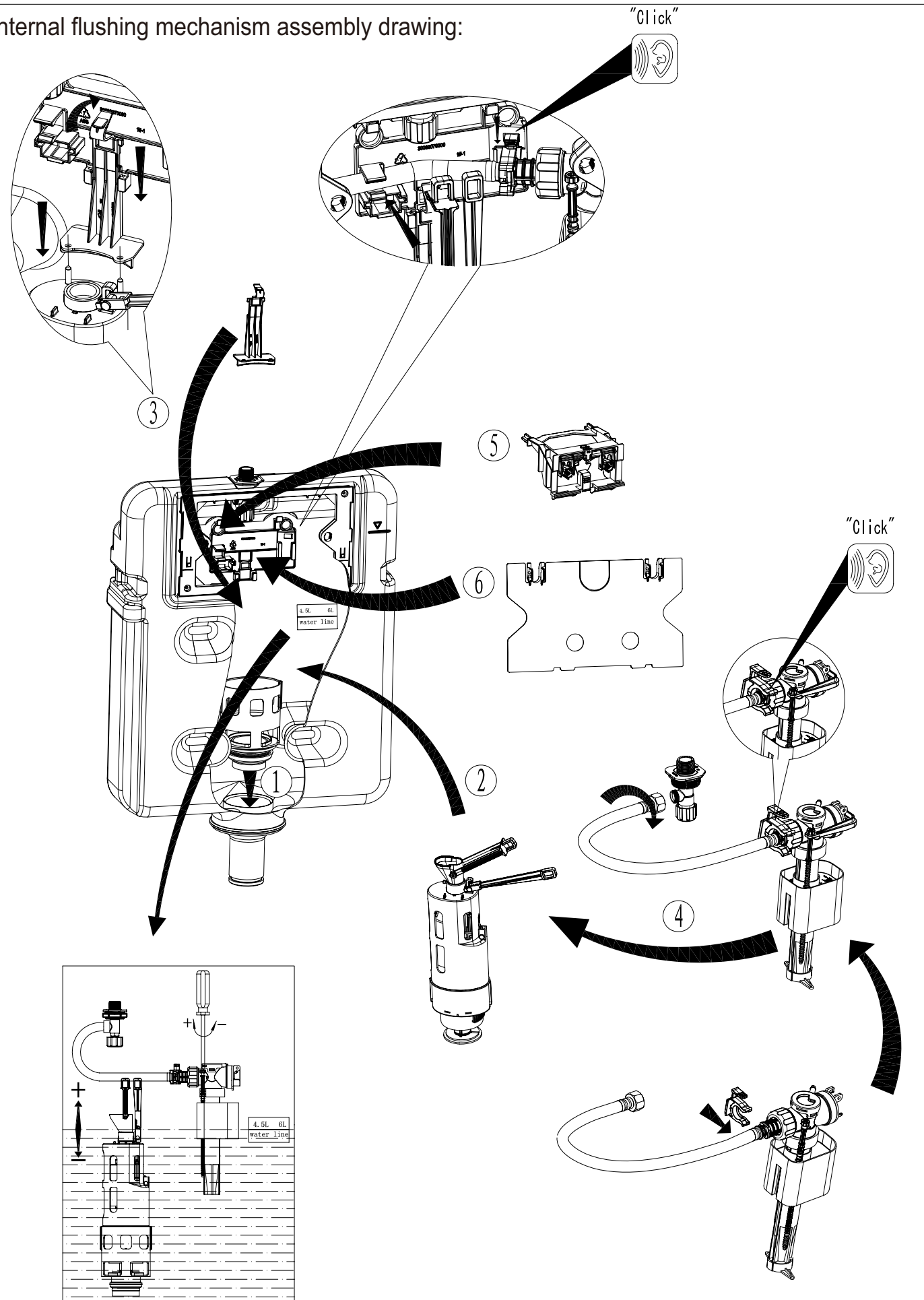
B. The original sales receipt, order number, and/or proof of purchase must be presented at the time of the warranty claim, without exception, for this warranty to be applied to all SM® products.

C. SM® recommends installing all SM® products with a licensed, professional plumber. SM® will not be held responsible for any damage or product failure due to improper installation, misuse, or failure to use a licensed professional. Please read your care and maintenance documentation to determine the limits of proper use.

NON-APPLICABILITY OF THIS WARRANTY By the purchase and use of our products, you agree that SM® is not liable for incidental, consequential or special damages associated with the return, replacement, installation or use of your product. This includes freight costs, cartridge replacement, labor, travel time, lost profit, home damages and other contingent liabilities and costs (including, without limitation, costs associated with experts, investigations, analyses, attorneys and other professionals and services). The SM® warranty is a comprehensive and explicit limit of liability, and all items outside of it are not addressable by or the responsibility of SM®. Certain states have variances regarding implied warranties and in those situations we remain fully compliant. SwissMadison USA Inc. makes no implication that products comply with any or all local building or plumbing codes. It is the consumer's responsibility to determine local code compliance. This warranty extends to the original purchaser and first consumer.

WARNING: Content contains sharp and other possibly harmful pieces and may cause hazard to children & adults, SM® is not responsible in any way for personal damage.

10. Internal flushing mechanism assembly drawing:

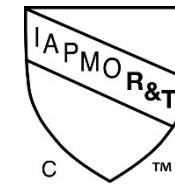
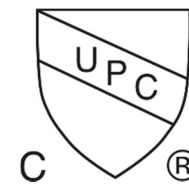


Necessary tools:

- Assorted drill bit
- Assorted wrench
- Level
- Pen
- Razor cutter
- Saw
- Screw driver
- Silicone plumber grease
- Tape measure

Products are compliant with the following code(s) :

- **ISO / IEC 17025**
- **ASME A112.6-2000 (R2010)**
- **CSA B125.3-2012**



Important instruction:

1. Please adhere to the following installation instructions. We shall not be responsible for failures and loss that are contributed to improper installation.
2. Please confirm the fixation location of frame prior to installation and obtain the finished floor surface. Draw FEL on installation wall and follow it as baseline from ZERO (0) level.
3. The instructions have been composed based in the latest product specifications. We reserve the right to make modifications to the packaging and specifications without providing prior notification.

NOTES:

1. Mount before bricks building.
2. All size unit in MM.
3. Follow the material product, should there is an unconformity with drawing.

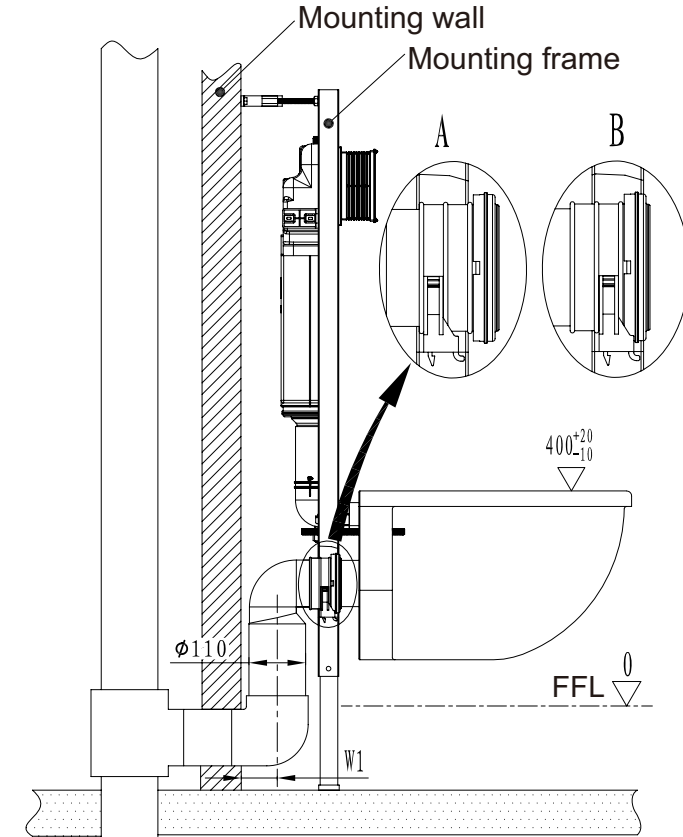
Finished Floor.



1. Drainage System Layout

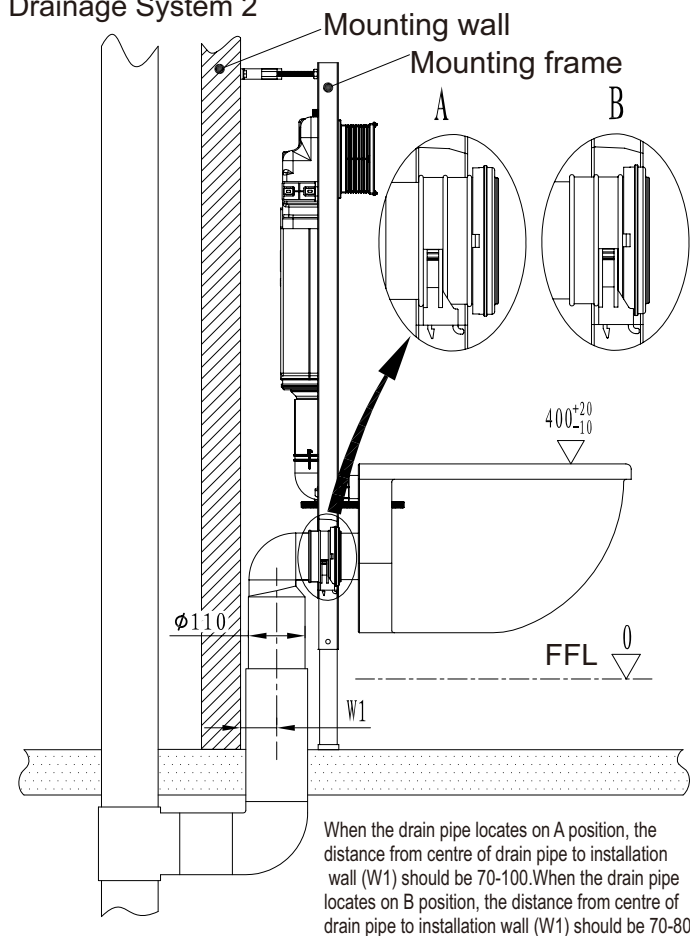
Drawing 1 to 3 are three different installation systems for drain pipe. Customer should confirm whichever installation system according to drainage outlet position. If drainage outlet does not fall within the three systems, customer should follow one of three drainage system layout to correspond installation of our concealed cistern.

Drainage System 1

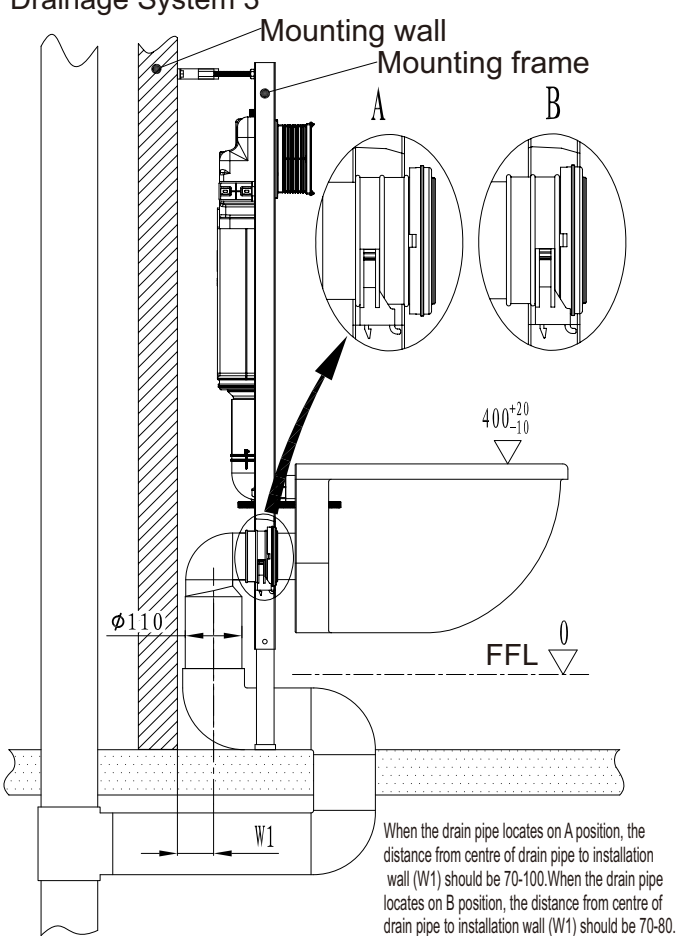


When the drain pipe locates on A position, the distance from centre of drain pipe to installation wall (W1) should be 70-100. When the drain pipe locates on B position, the distance from centre of drain pipe to installation wall (W1) should be 70-80.

Drainage System 2



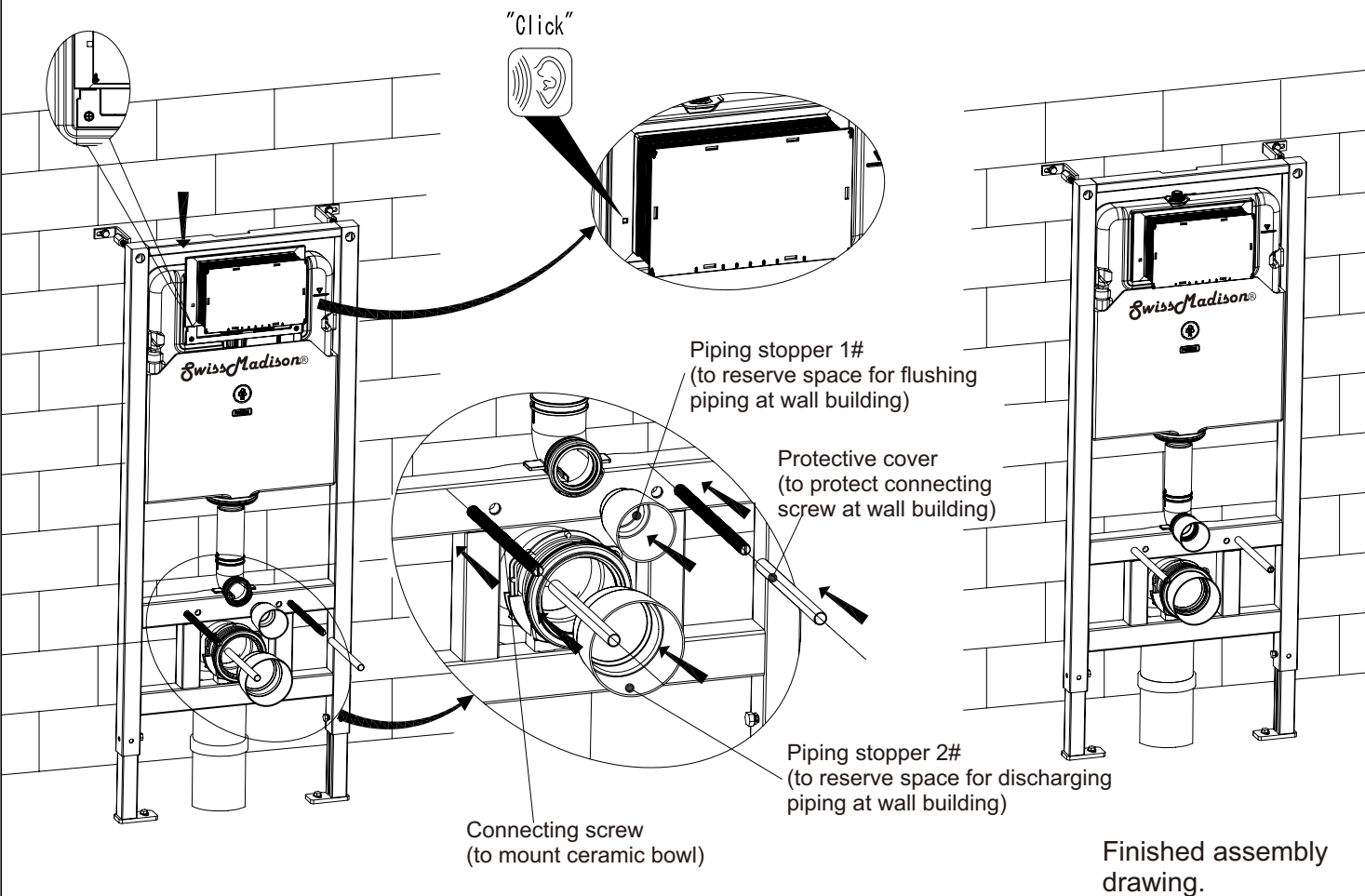
Drainage System 3



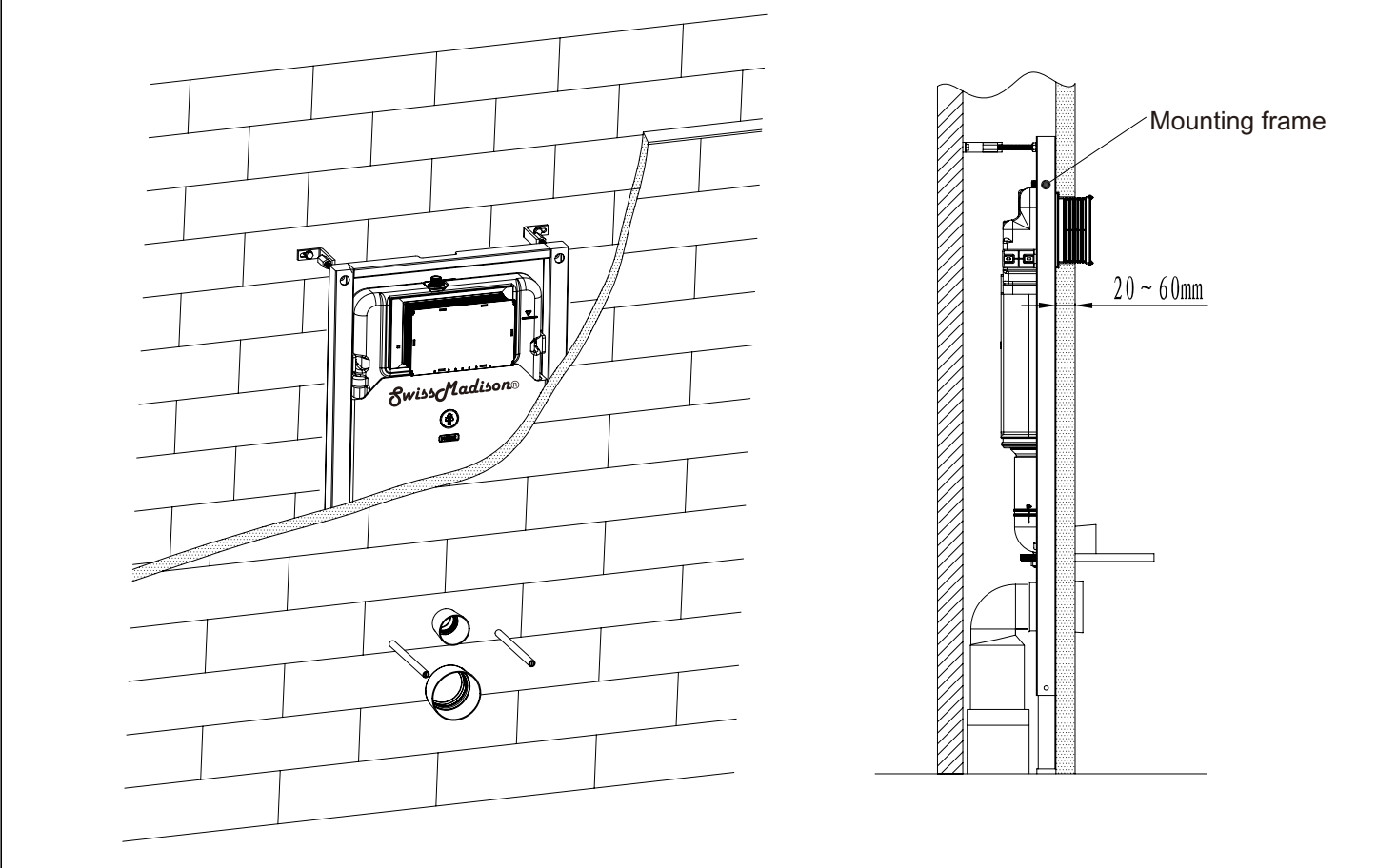
9. Mounting of ceramic bowl

<p>①</p> <p>Fully insert the straight tube into cistern flushing outlet and connecting pipe into discharging outlet.</p>	<p>②</p> <p>Draw the lines as above picture.</p>	<p>③</p> <p>Apply lubricant on rubber washers of straight tube and connecting pipe, then insert into ceramic holes.</p>
<p>④</p> <p>Draw the lines as above picture.</p>	<p>⑤</p> <p>As per drawing, L1 is distance between the two lines on straight tube. L2 is distance between the two lines on connecting pipe.</p>	<p>⑥</p> <p>Cut the straight tube and connecting pipe as per above drawing.</p>
<p>⑦</p> <p>Polishing the cutting surface to get chamfer angle as per drawing and deburring</p>	<p>⑧</p> <p>Apply lubricant on joint surface of straight tube and connecting pipe</p>	<p>⑨</p> <p>Adjust length of connecting bolt to be d+20mm</p>
<p>⑩</p> <p>Firstly insert connecting pipe into discharging outlet and straight tube into ceramic hole</p>	<p>⑪</p> <p>Mounting the ceramic bowl.</p>	<p>⑫</p> <p>Locking the ceramic bowl.</p>

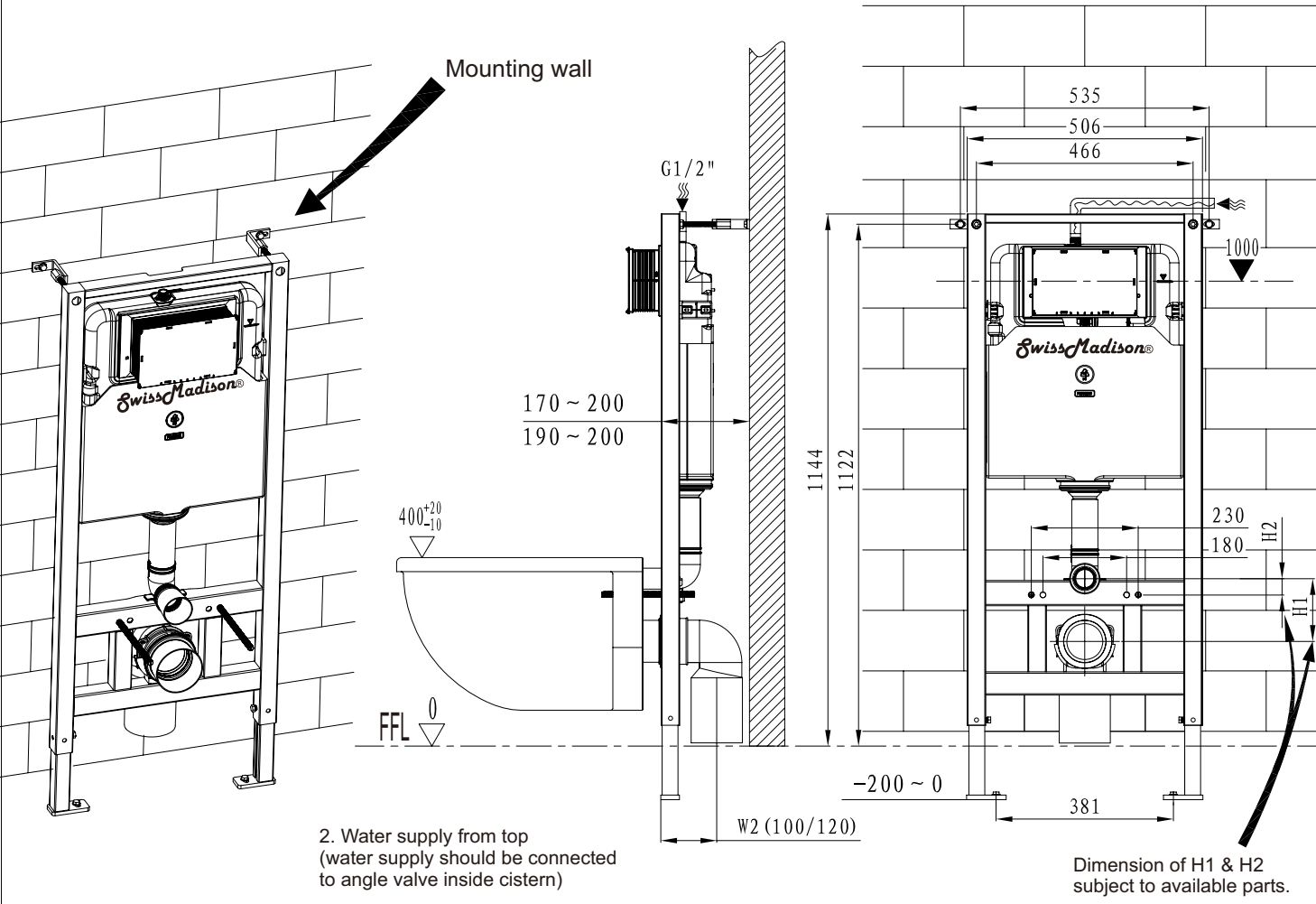
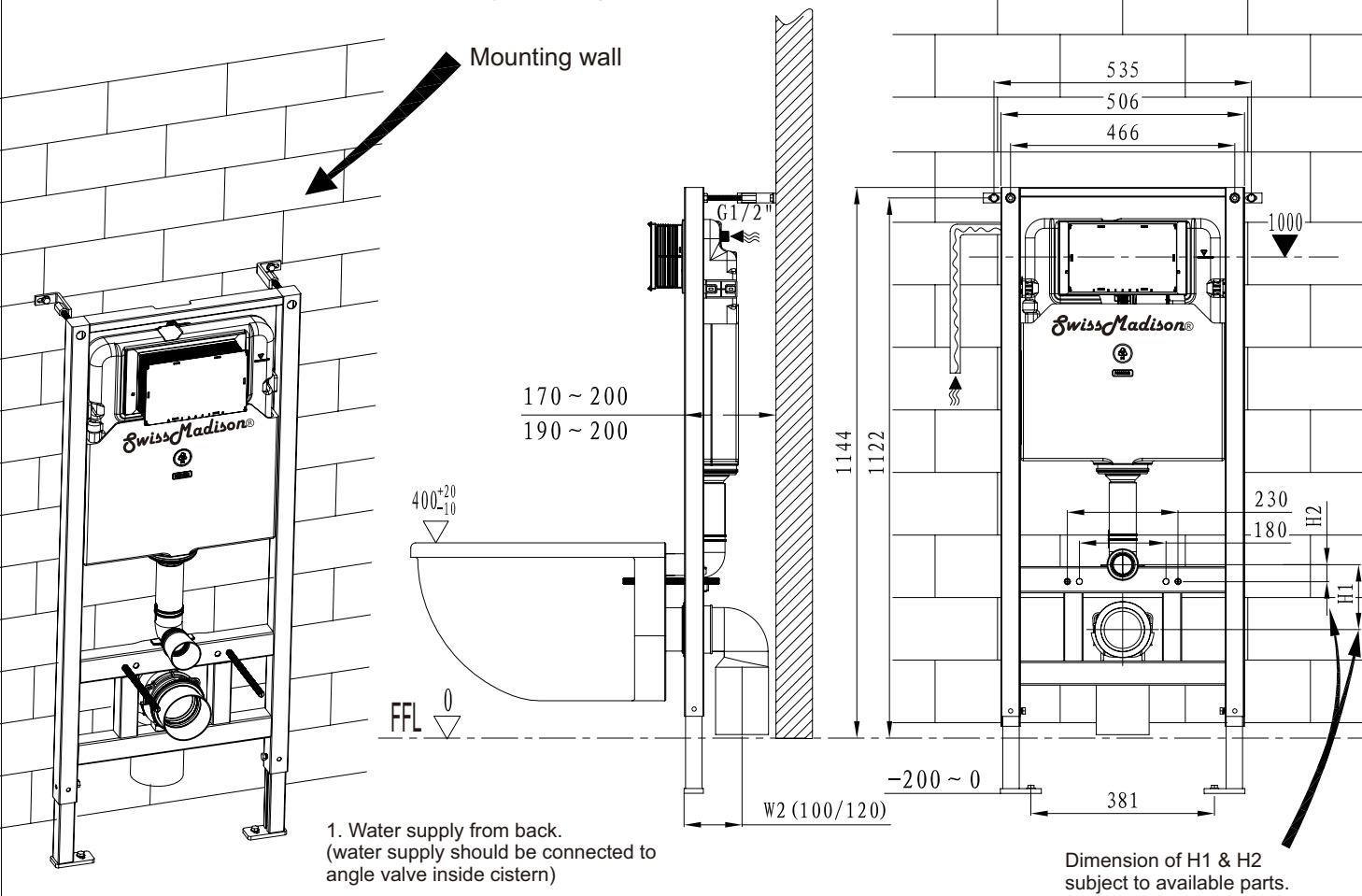
7. Mounting of installation accessories



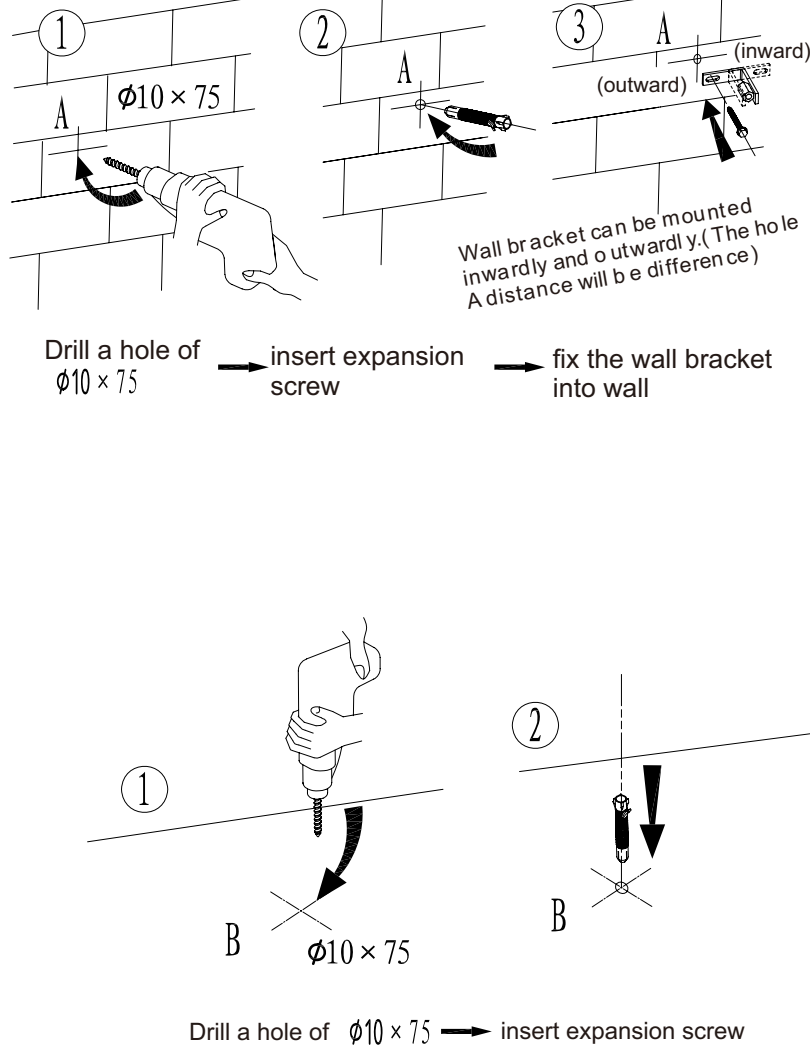
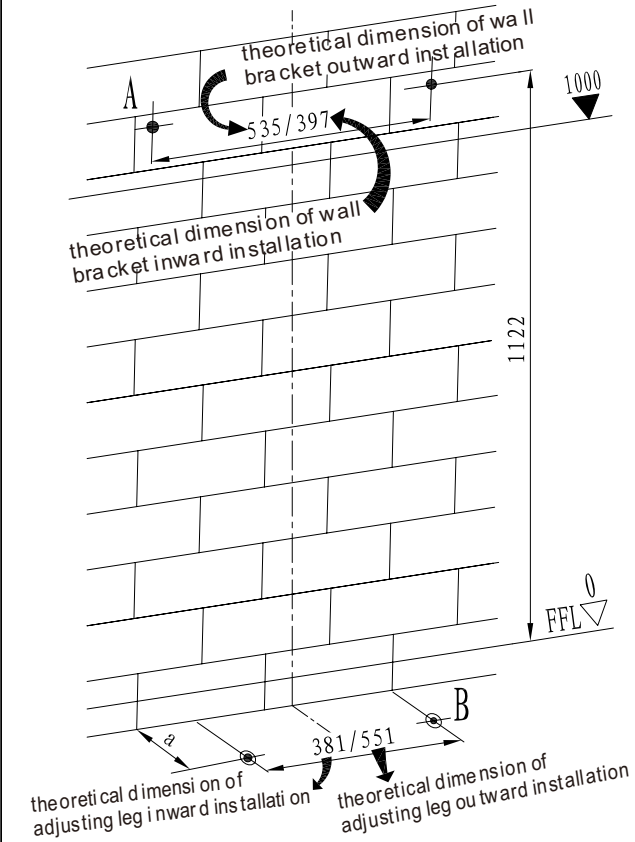
8. Wall thickness range 20~60mm (from frame outside surface to finished wall)



2. General dimension and water supply drawing

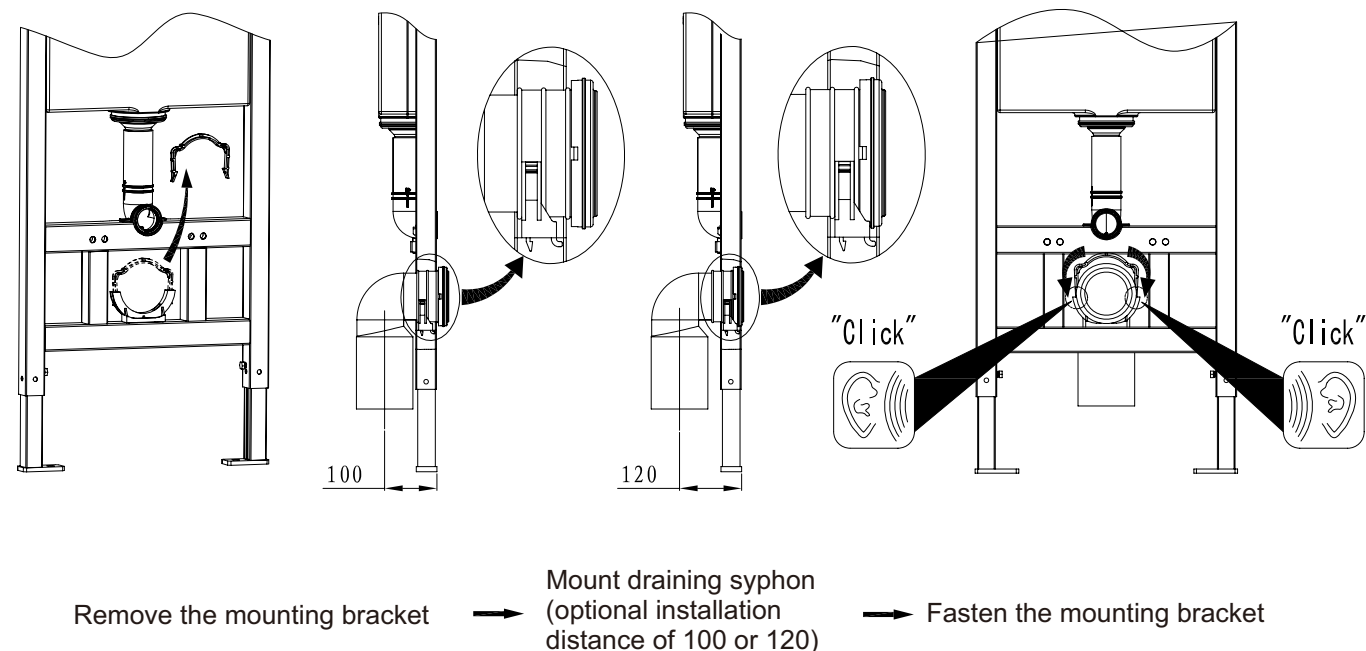


3. Drill holes on mounting wall and floor and install expansion screws

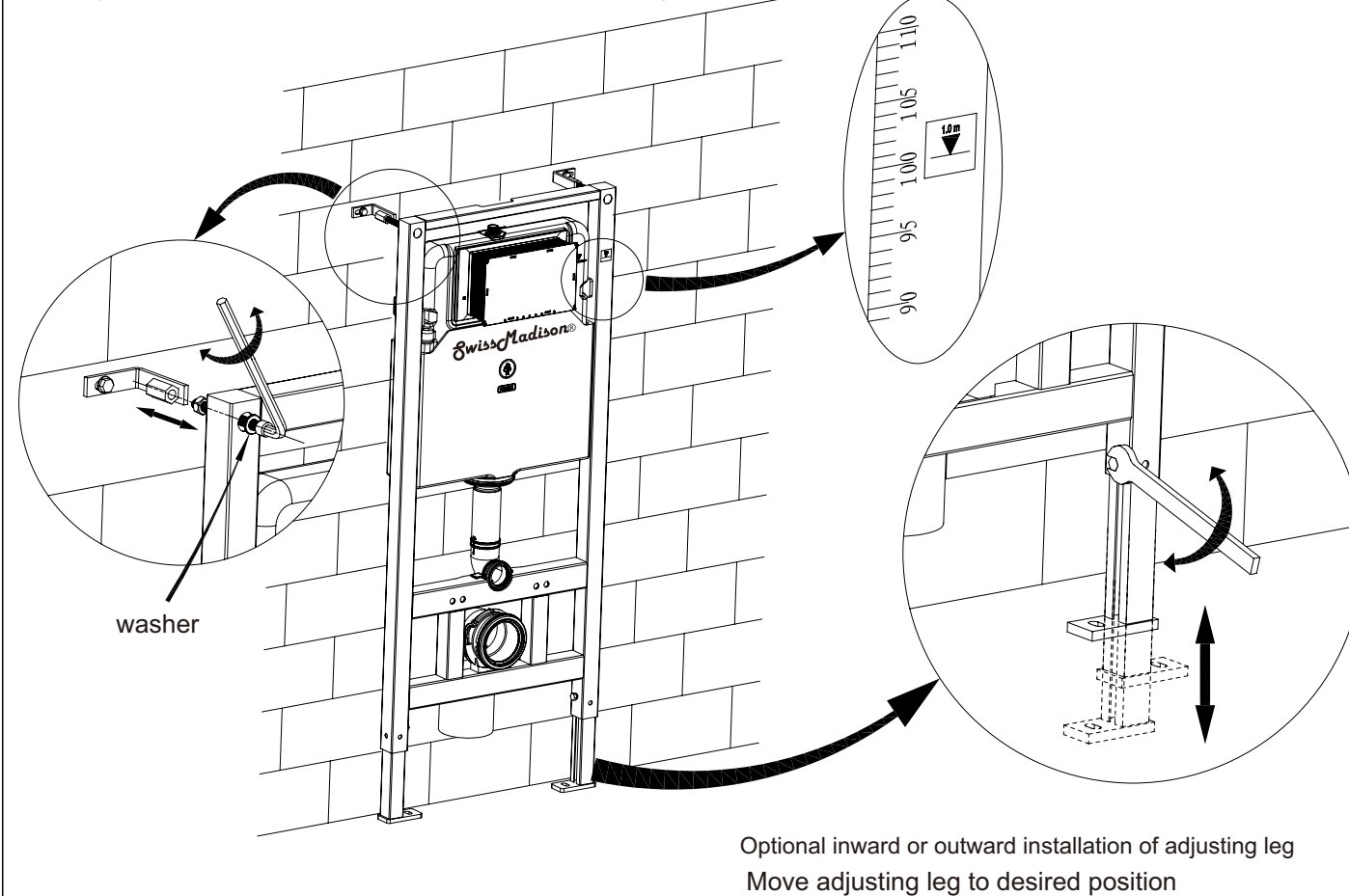


A dimension according to practical location of flushing pipe
 ☆Note: Above drilling are theoretical dimensions of frame mounting.
 Please follow by the practical location of frame.

4. Installation of draining syphon



5. Adjustment of socket head screw and floor fixing accessories



6. Adjustment and fixation of mounting frame

