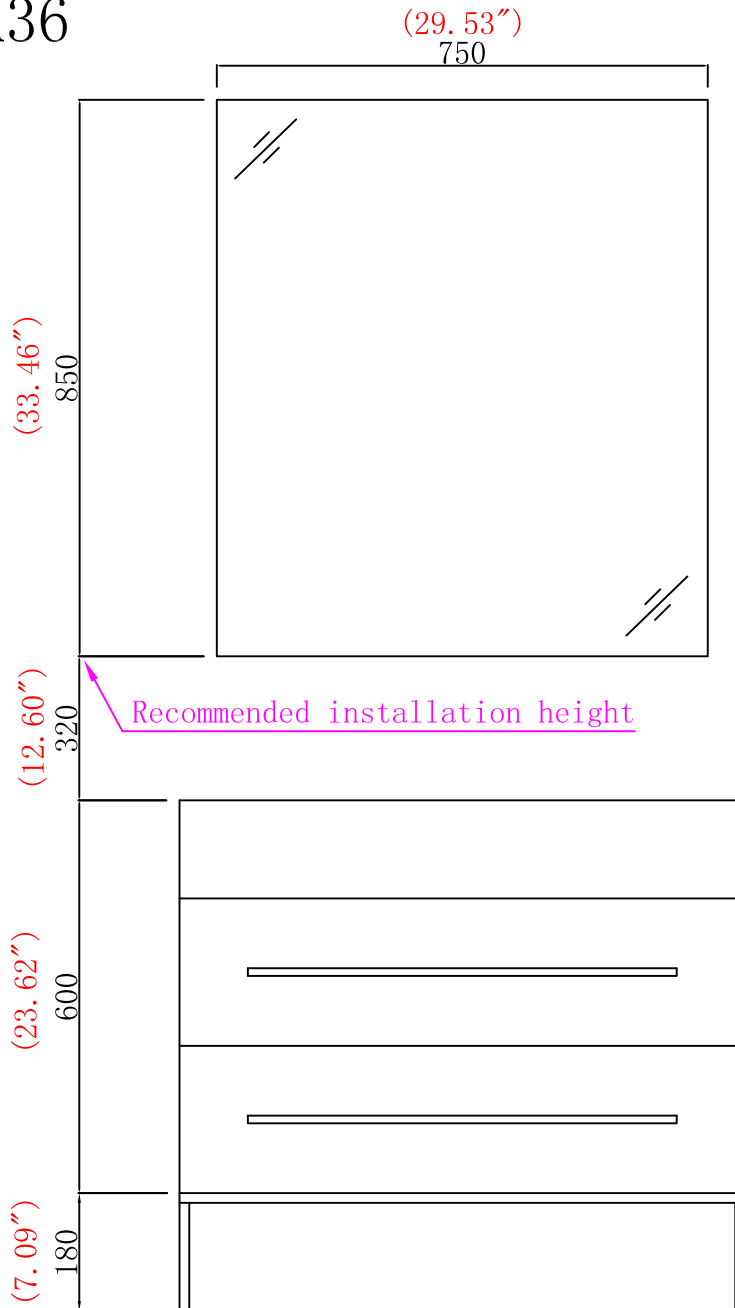



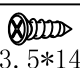
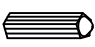
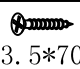


Item No. :CA36

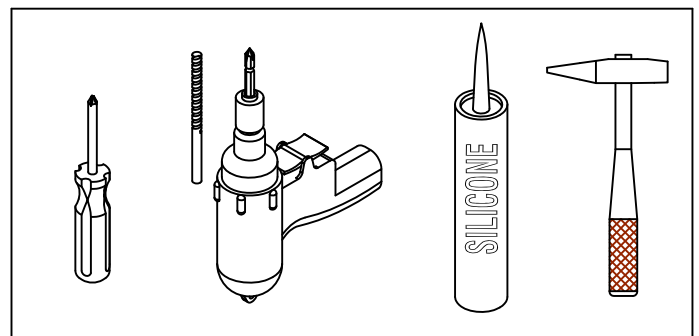


## Hardware

NO.	Draw	QTY
A		2
B		2
C		2
D	 (3.5*14mm)	6
E		4
F	 (3.5*70mm)	4

## FLOOR

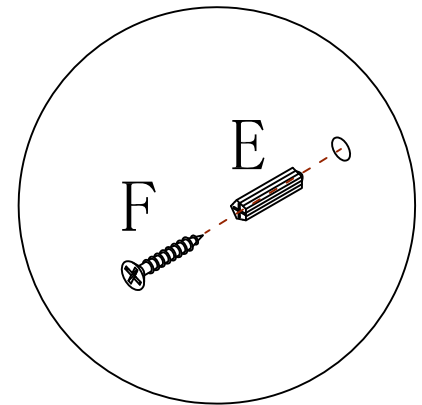
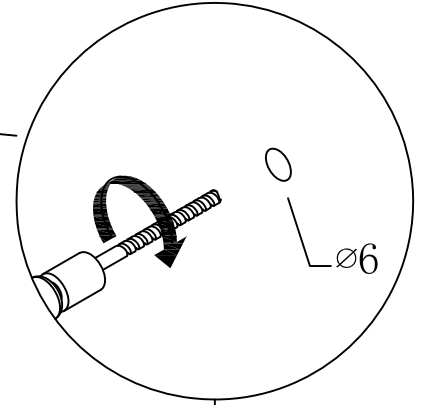
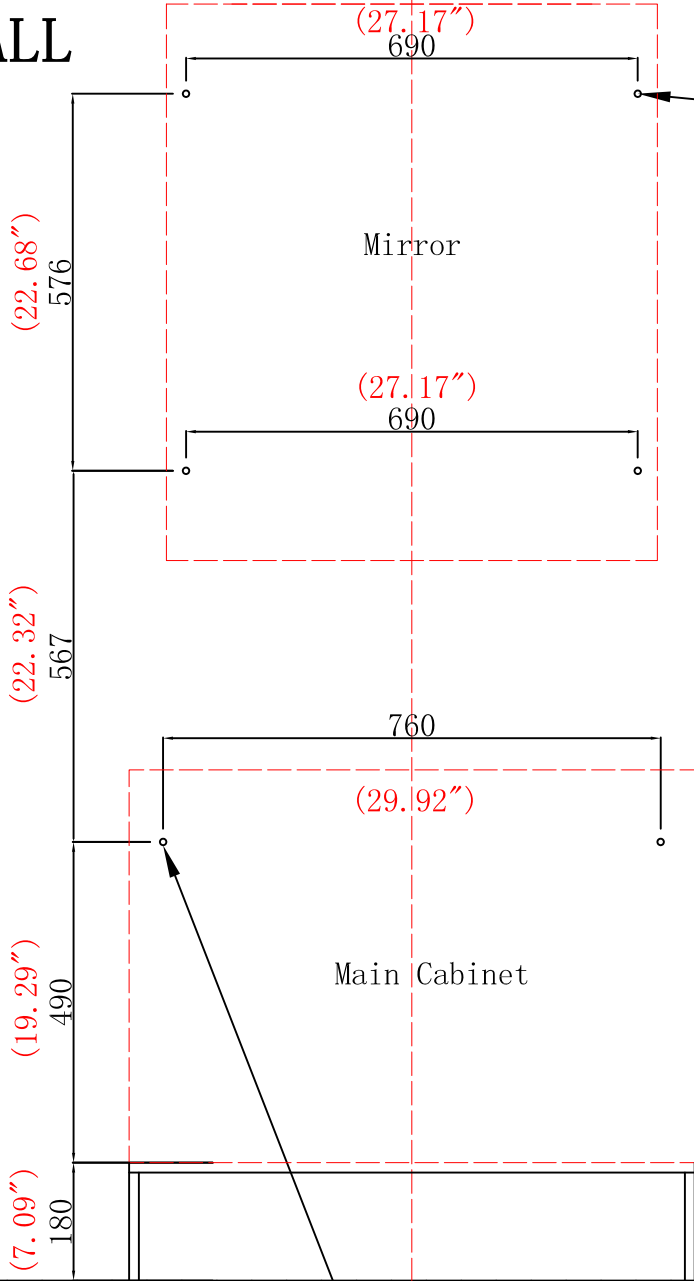
## Tools



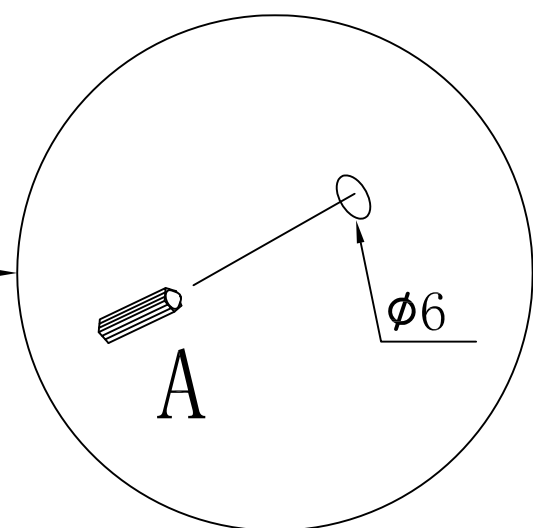
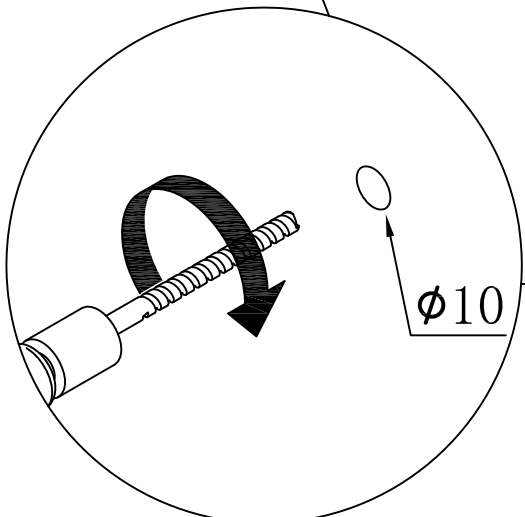
Step 1

Center Line

WALL

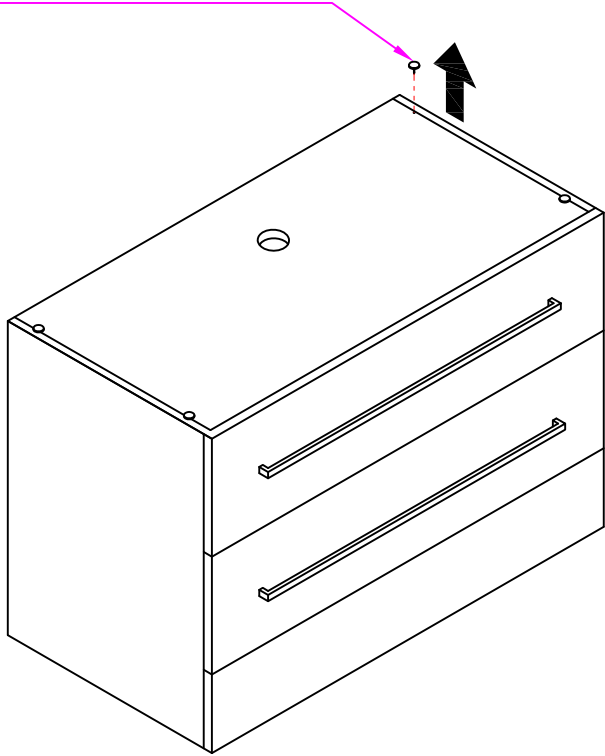


FLOOR

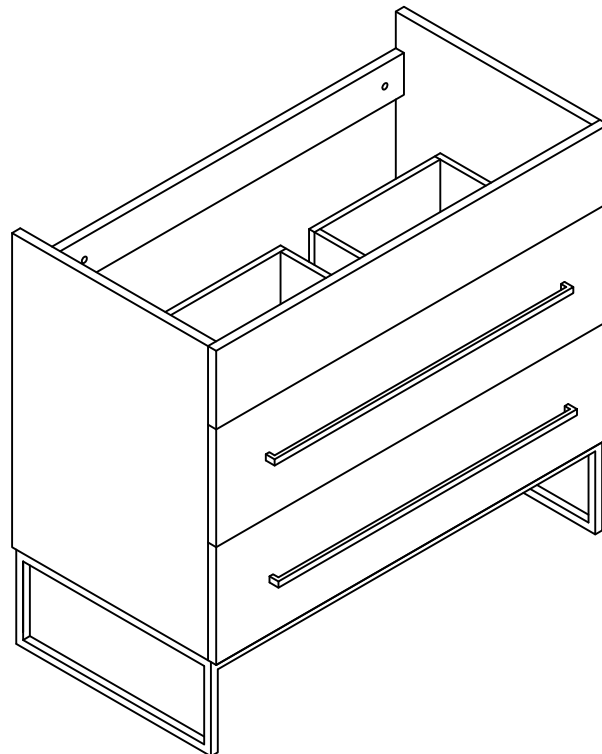
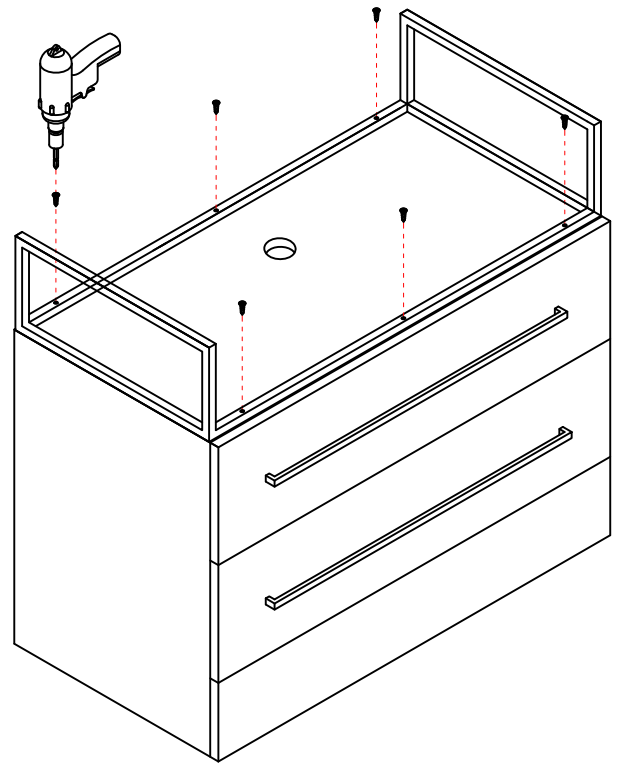


## Step 2

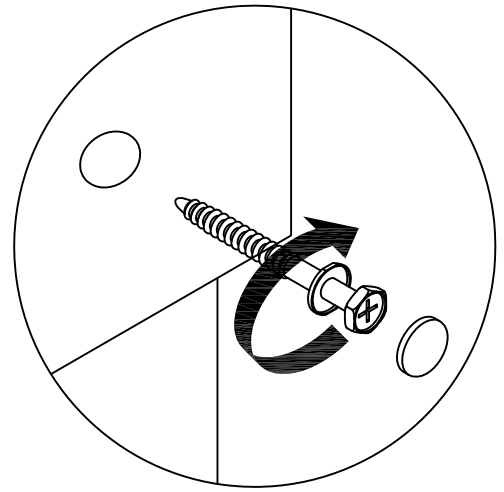
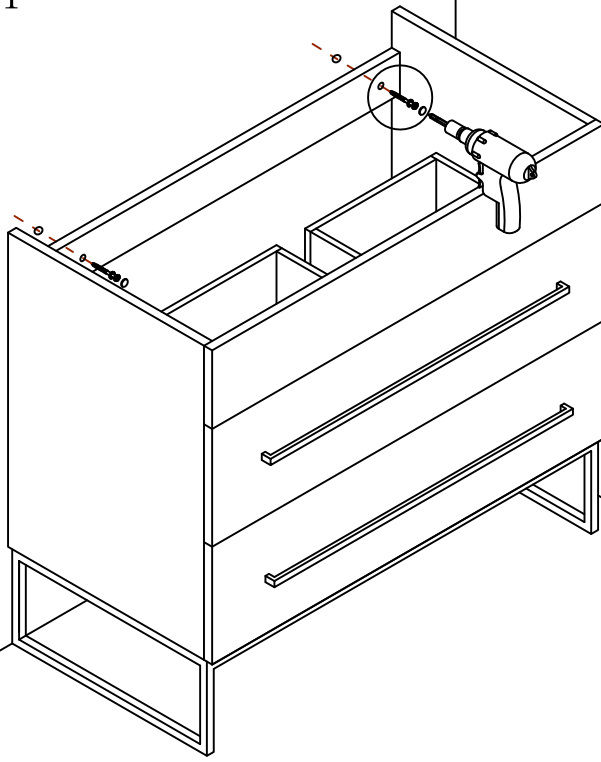
That the four pieces  
needs to be removed  
before installing  
the iegn



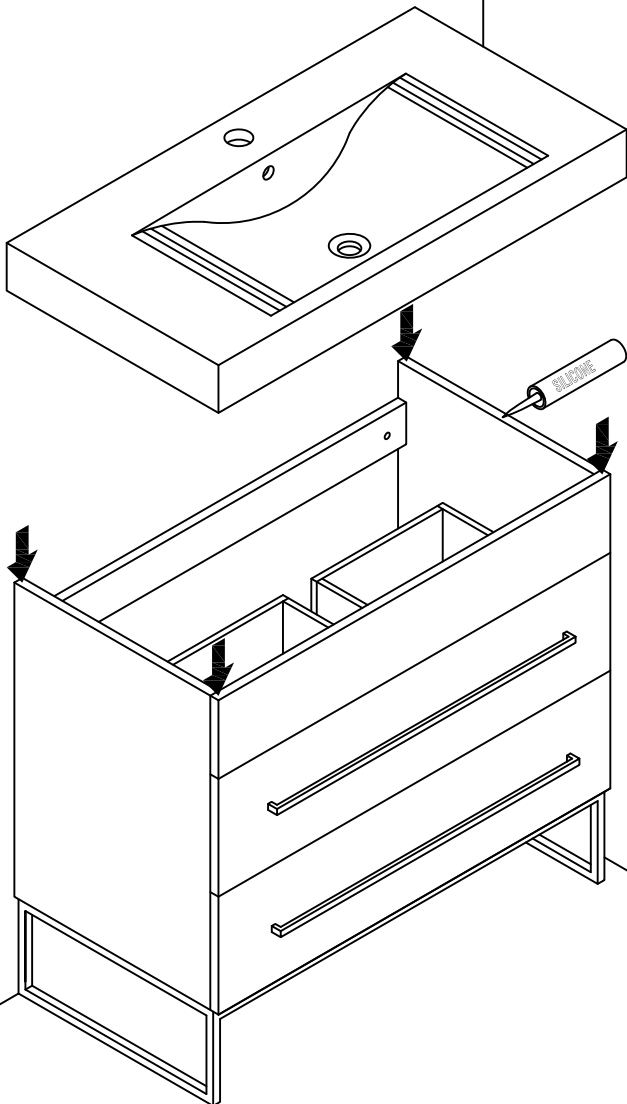
## Step 3



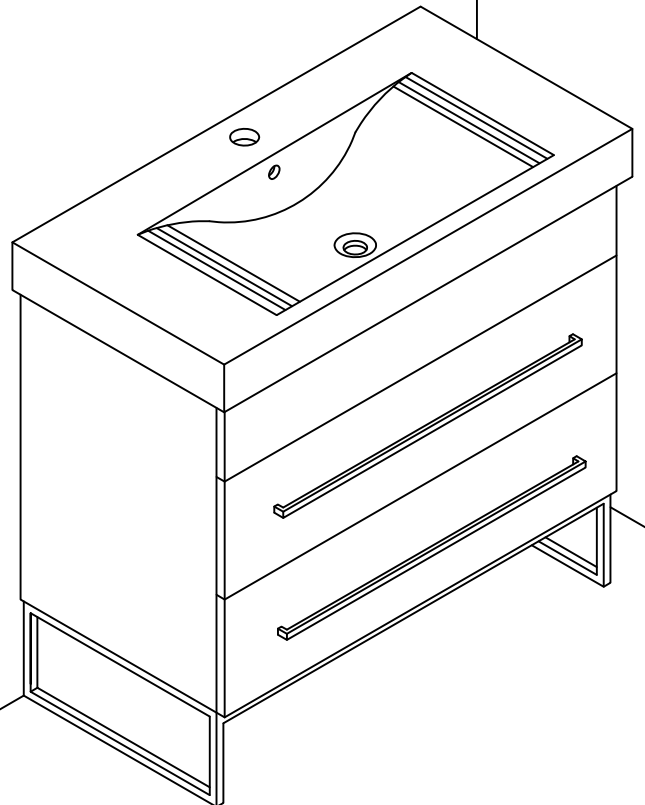
Step 4



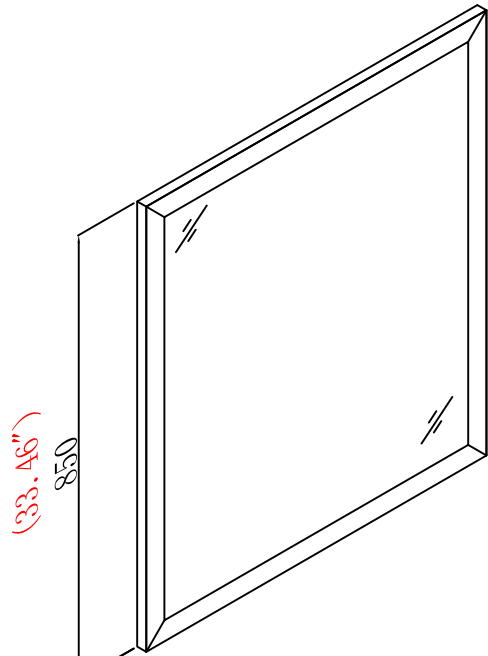
Step 5



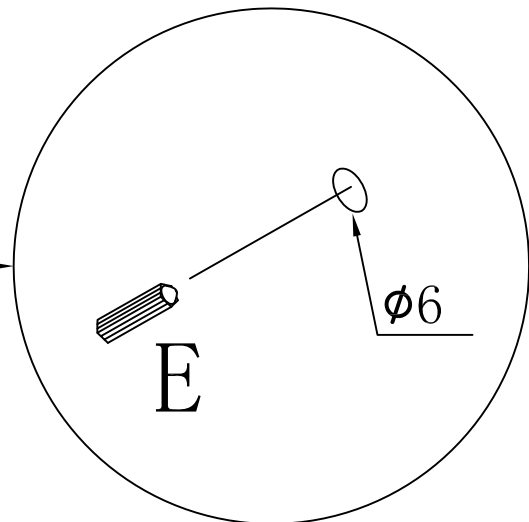
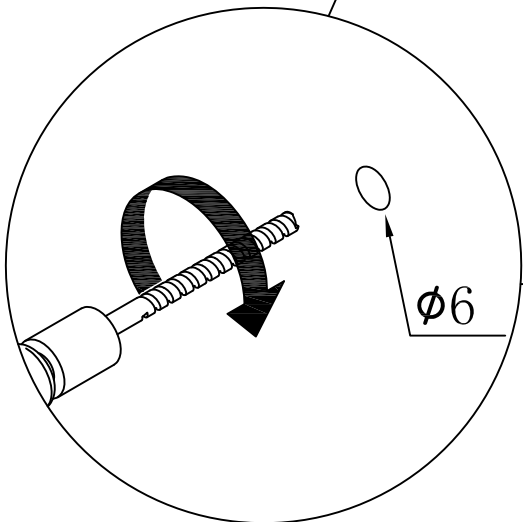
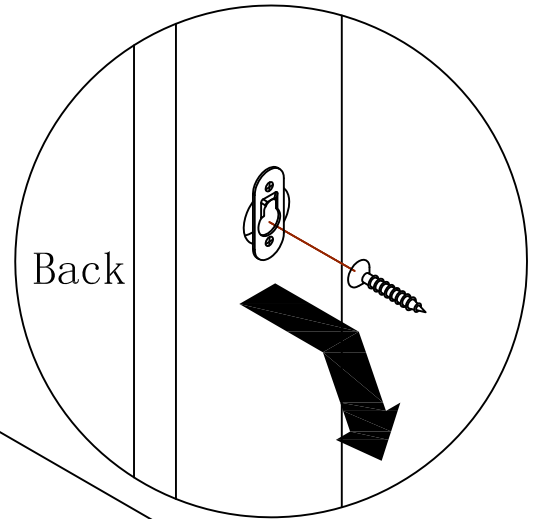
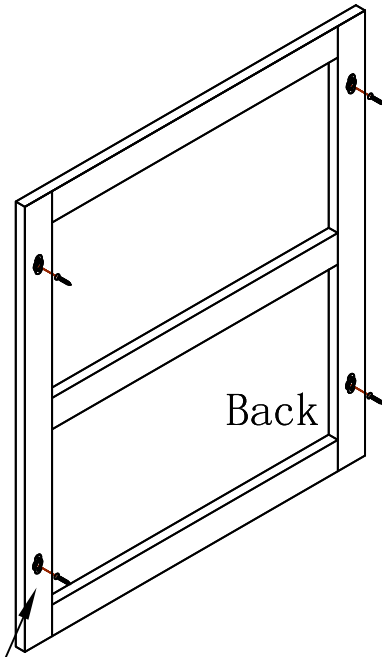
Step 6



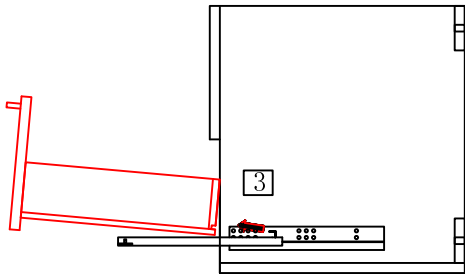
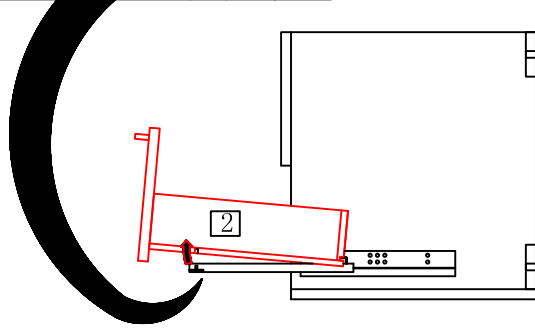
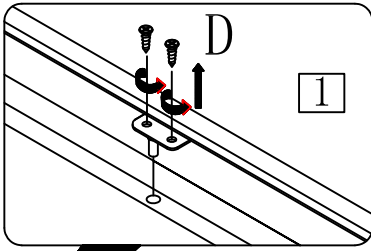
Step 7



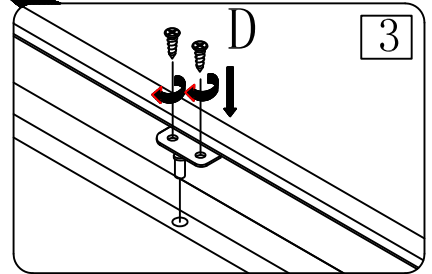
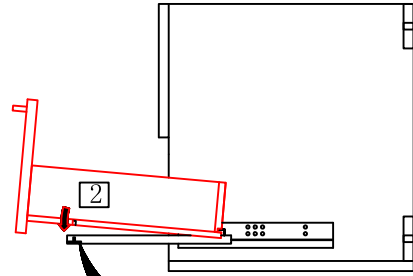
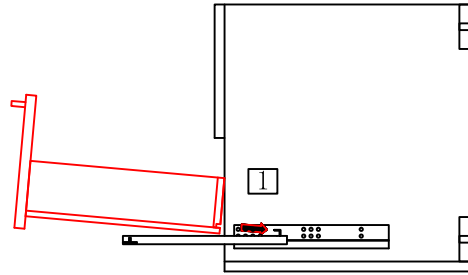
Step 8



## DRAWER REMOVAL



## DRAWER INSTALLTION



Finished

