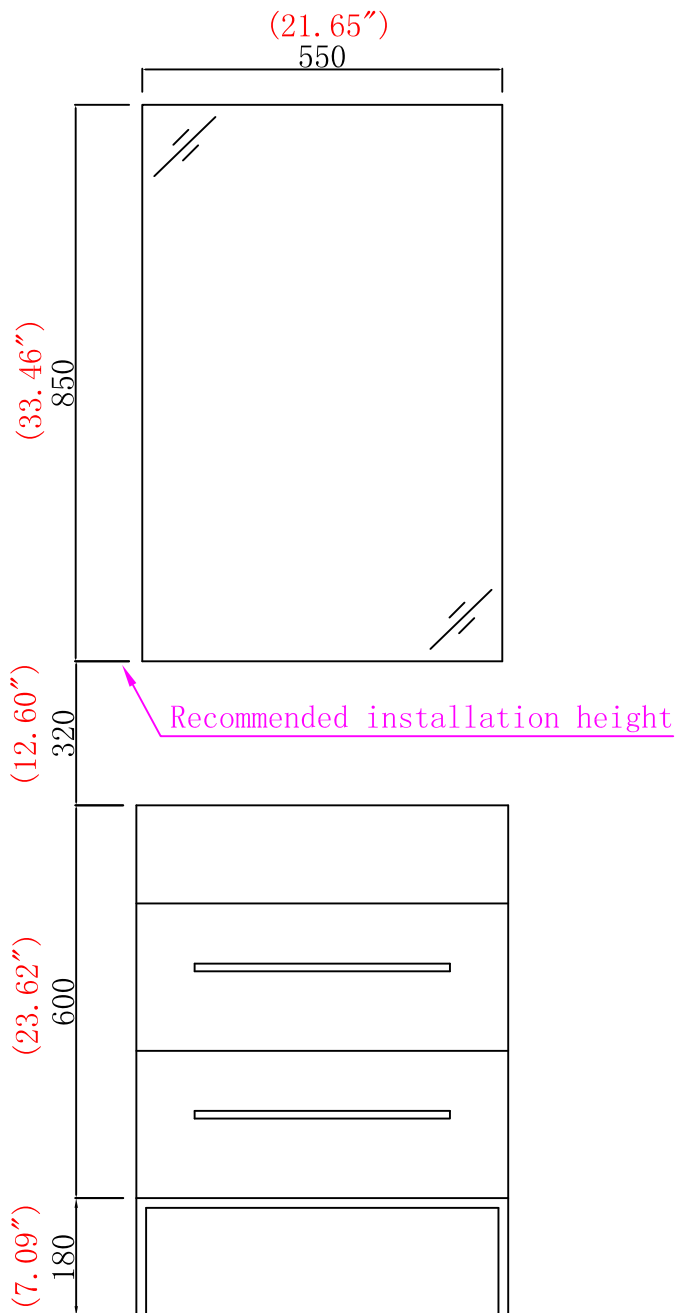





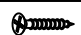


Item No. :CA24

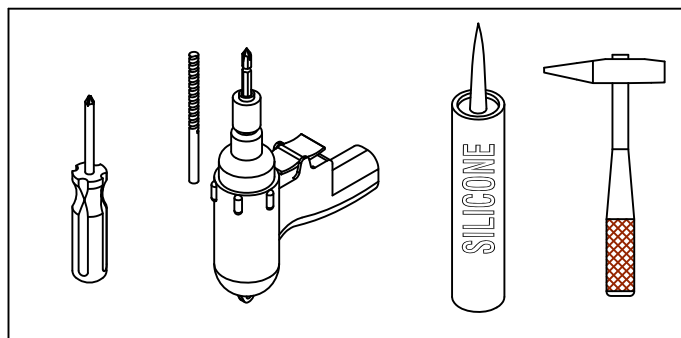


## Hardware

NO.	Draw	QTY
A		2
B		2
C		2
D	 (3.5*14mm)	4
E		4
F	 (3.5*70mm)	4

## FLOOR

## Tools



# Step 1

Center Line

WALL

(22.68")

(22.32")

(19.29")

(7.09")

576

567

490

180

(19.29")

490

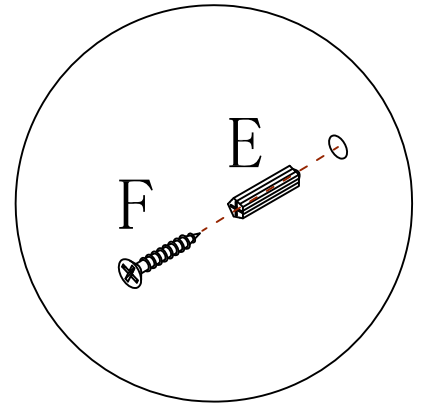
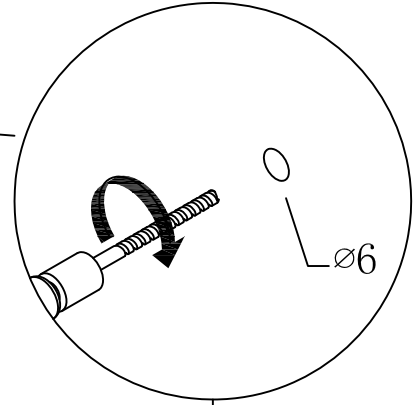
(19.29")

490

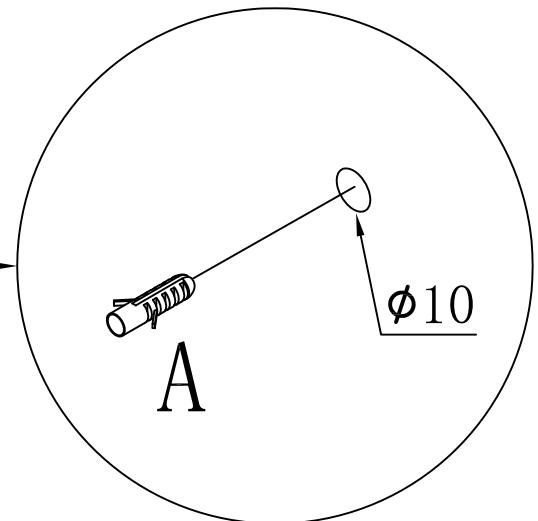
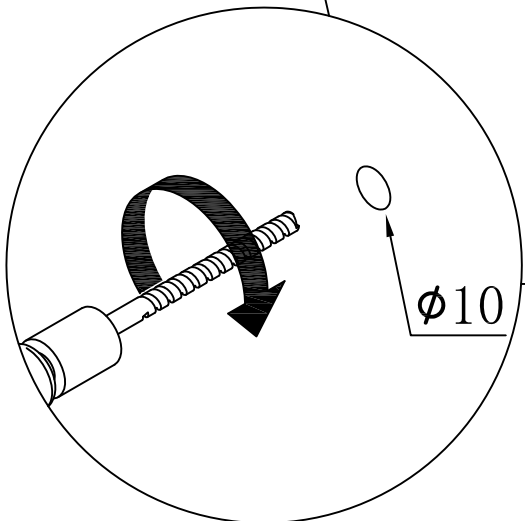
(18.27")

464

Main Cabinet

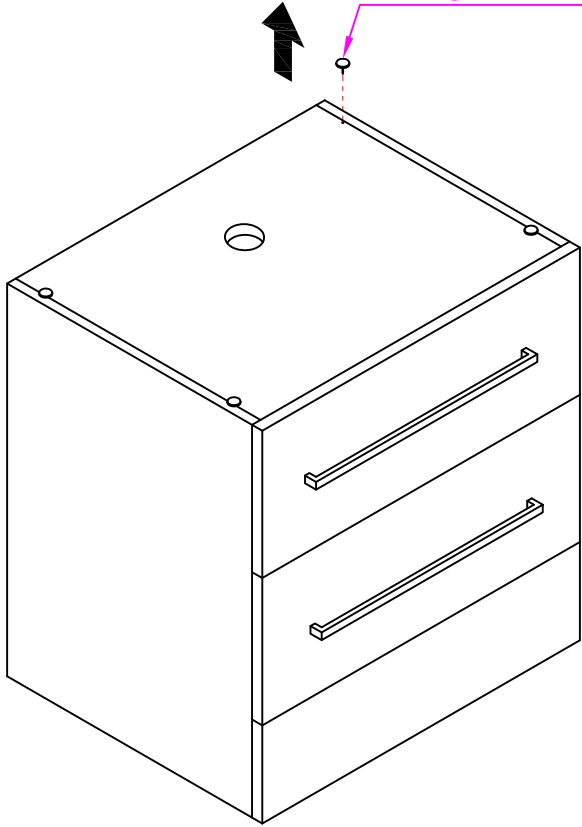


FLOOR

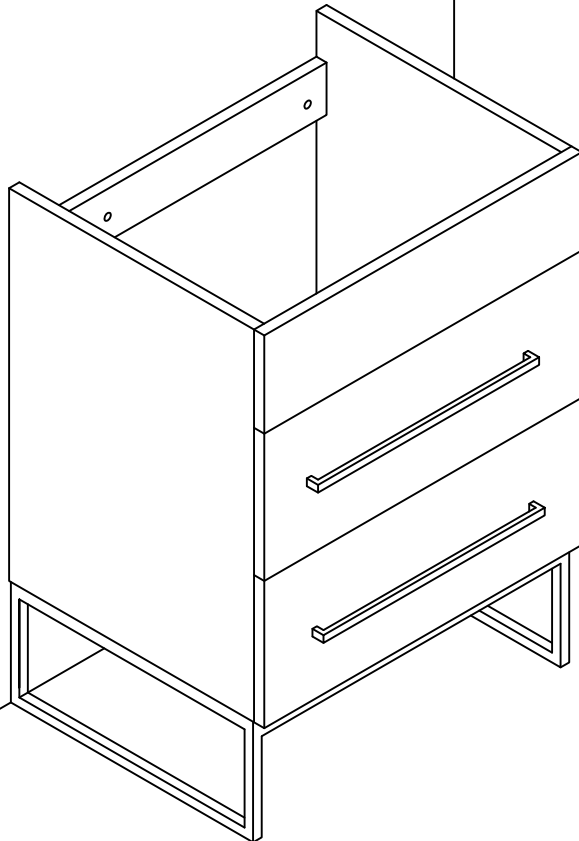
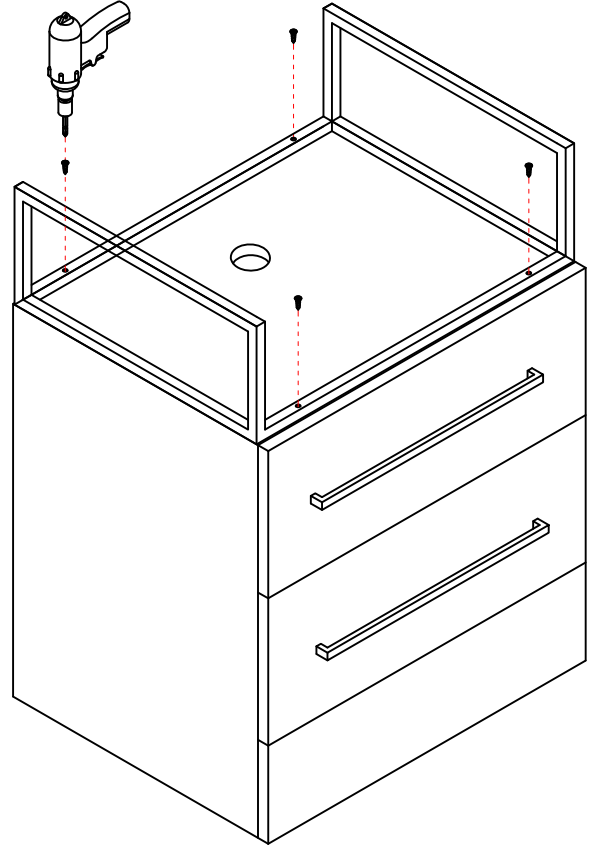


## Step 2

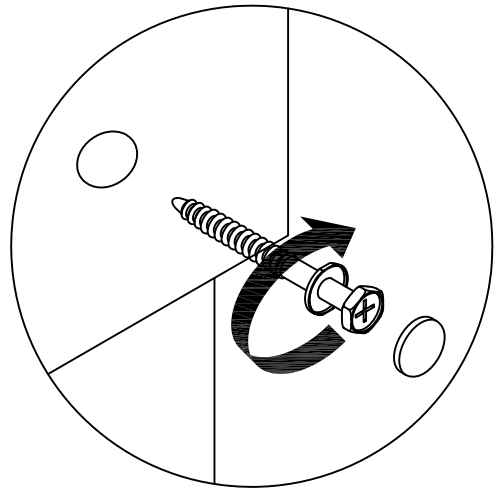
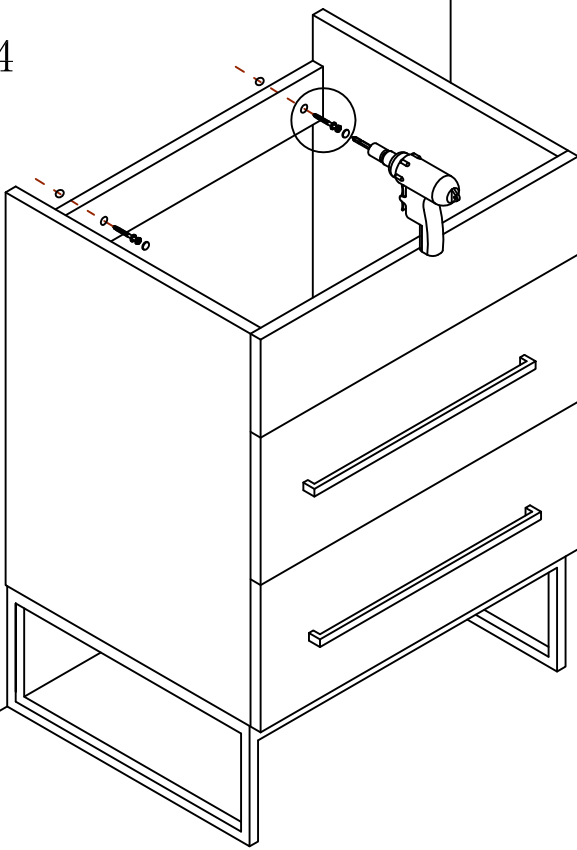
That the four pieces  
needs to be removed  
before installing  
the iegs



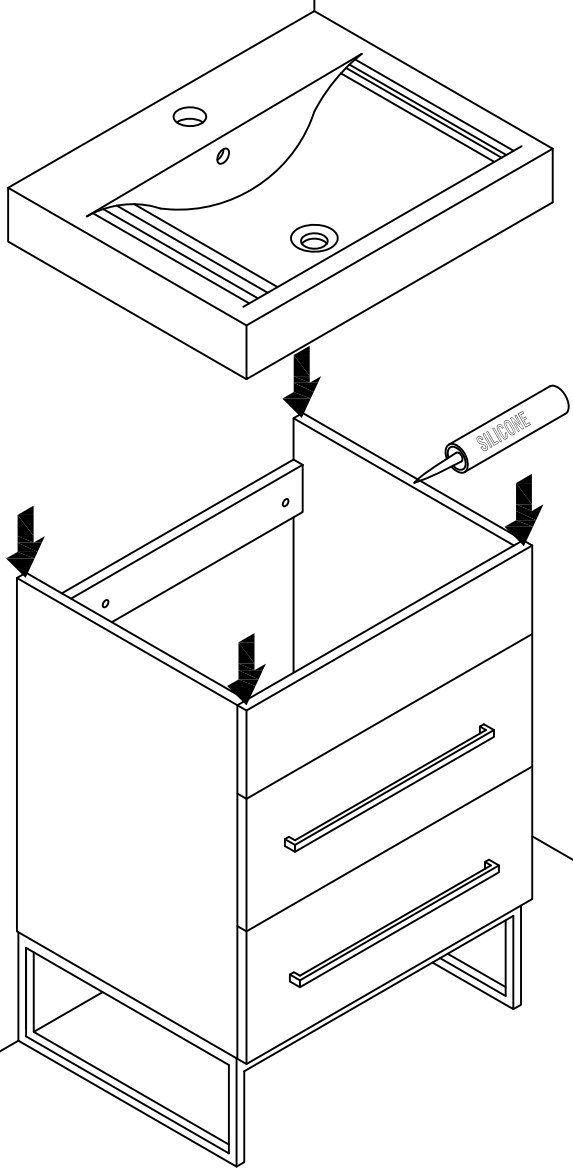
## Step 3



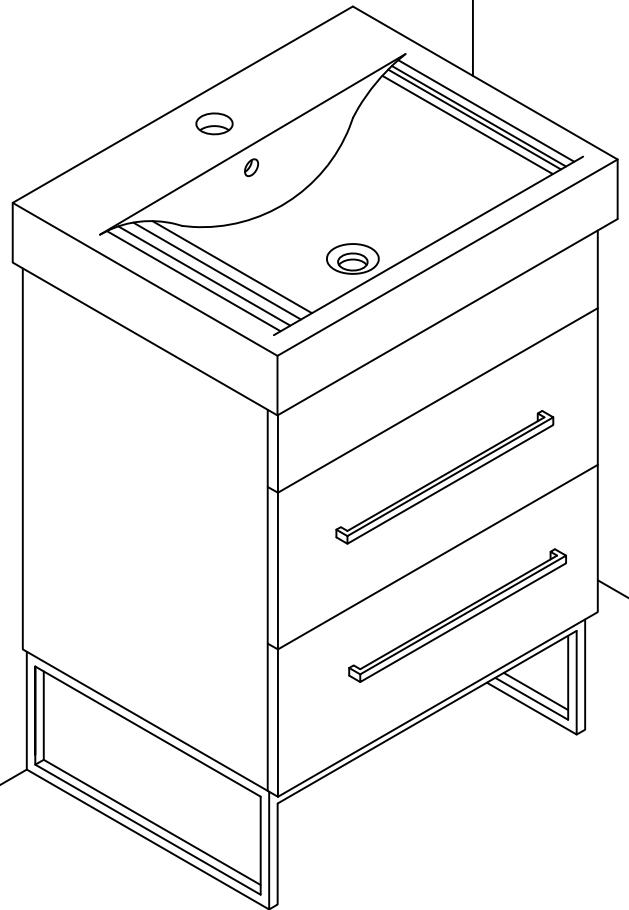
Step 4



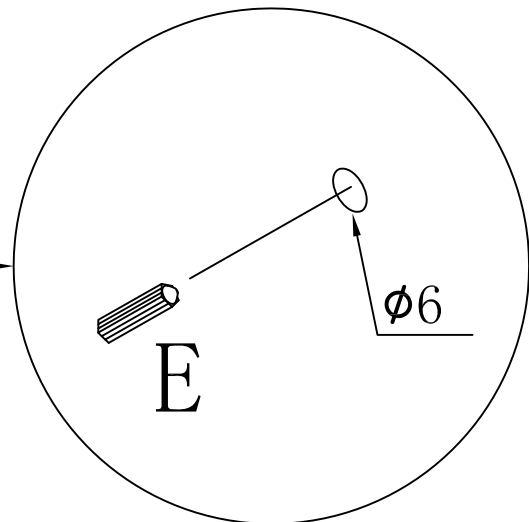
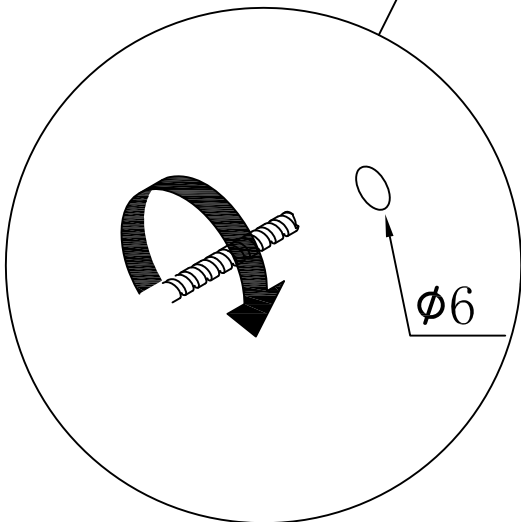
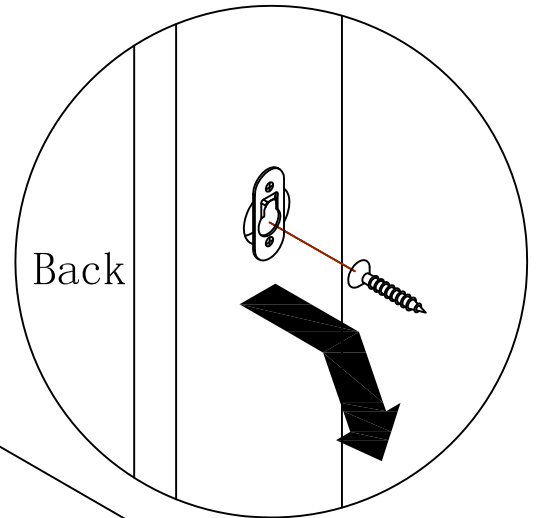
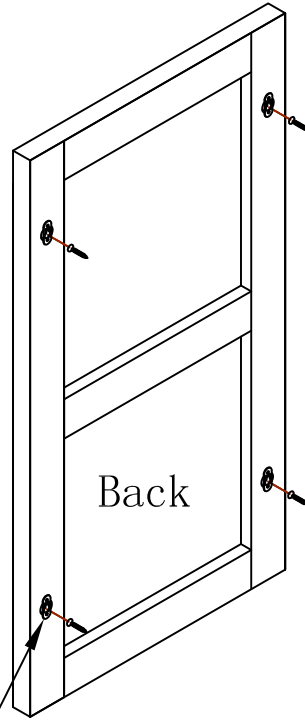
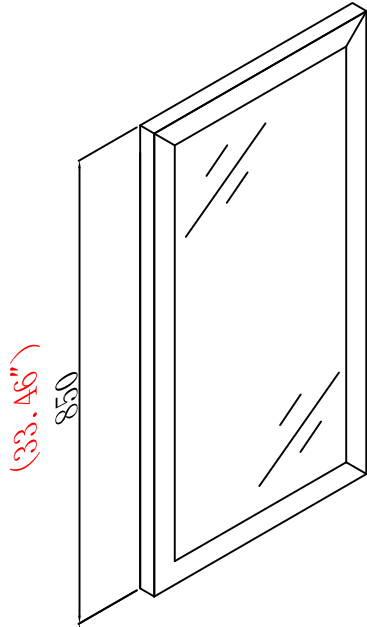
Step 5



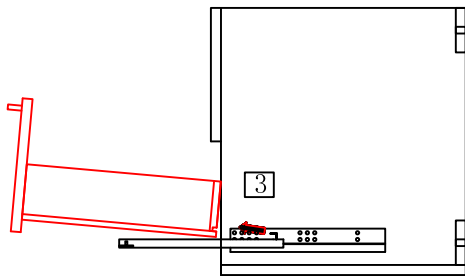
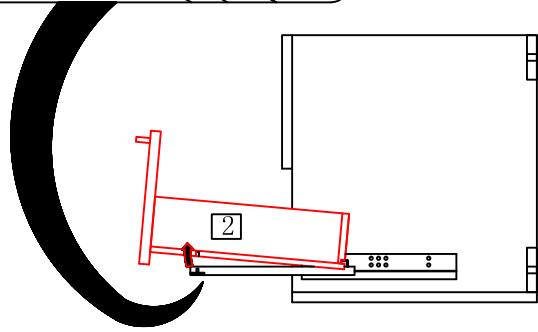
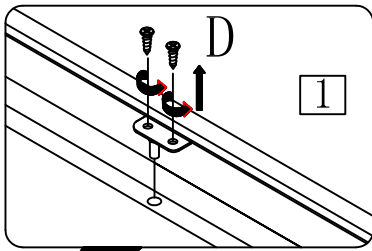
Step 6



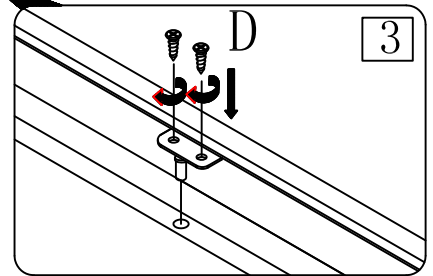
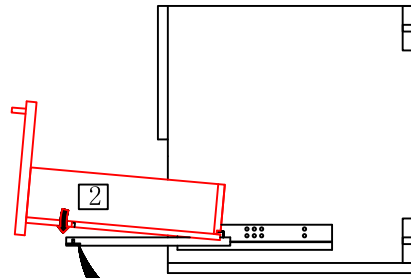
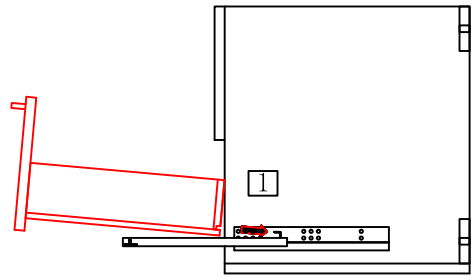
Step 7



## DRAWER REMOVAL



## DRAWER INSTALLTION



Finished

