




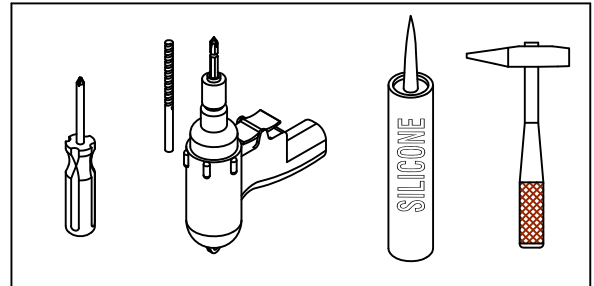


Item No. :GR24

Hardware

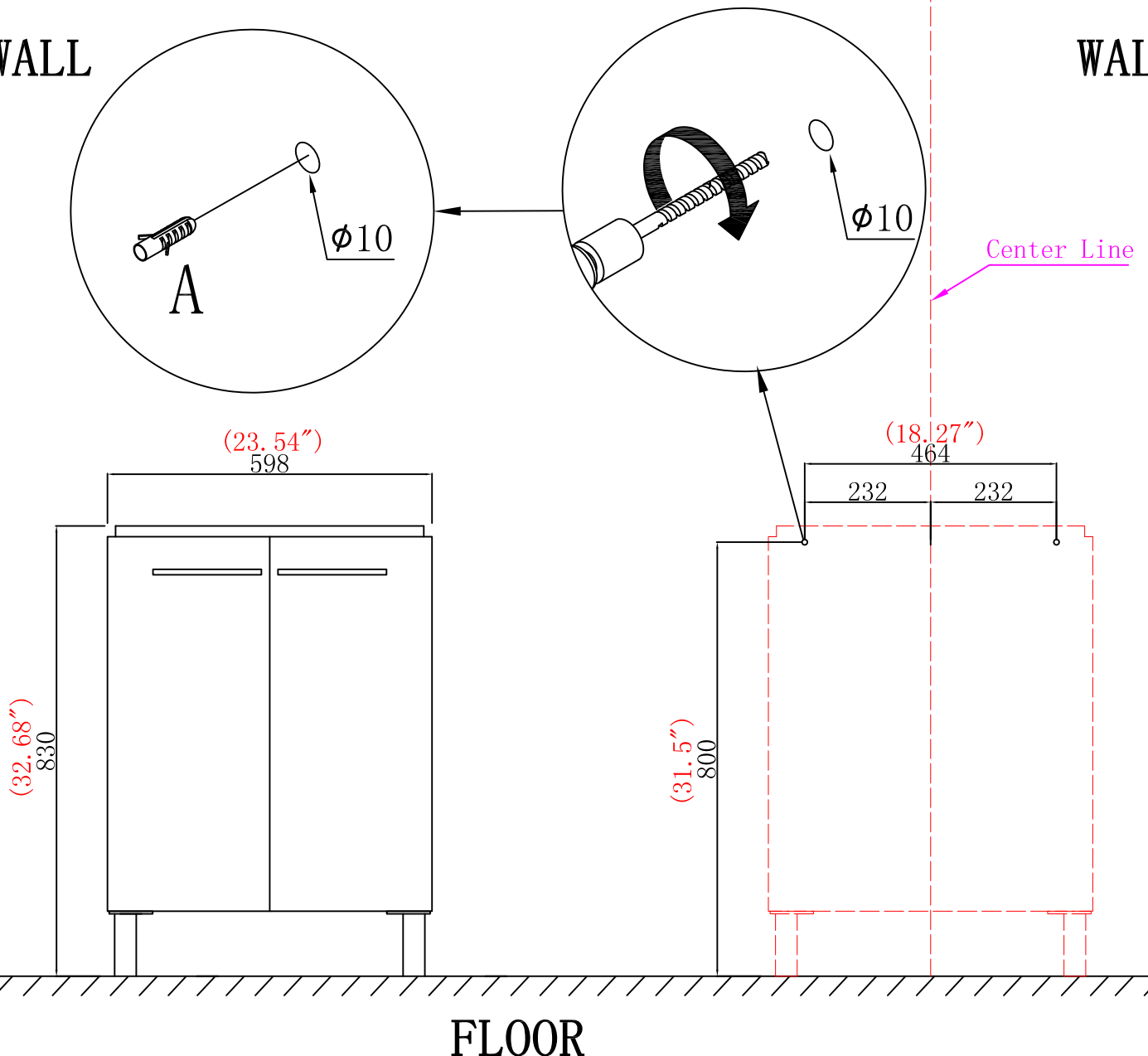
NO.	Draw	QTY
A		4
B		4
C		4
D		4
E	 3.5*14mm	16

Tools



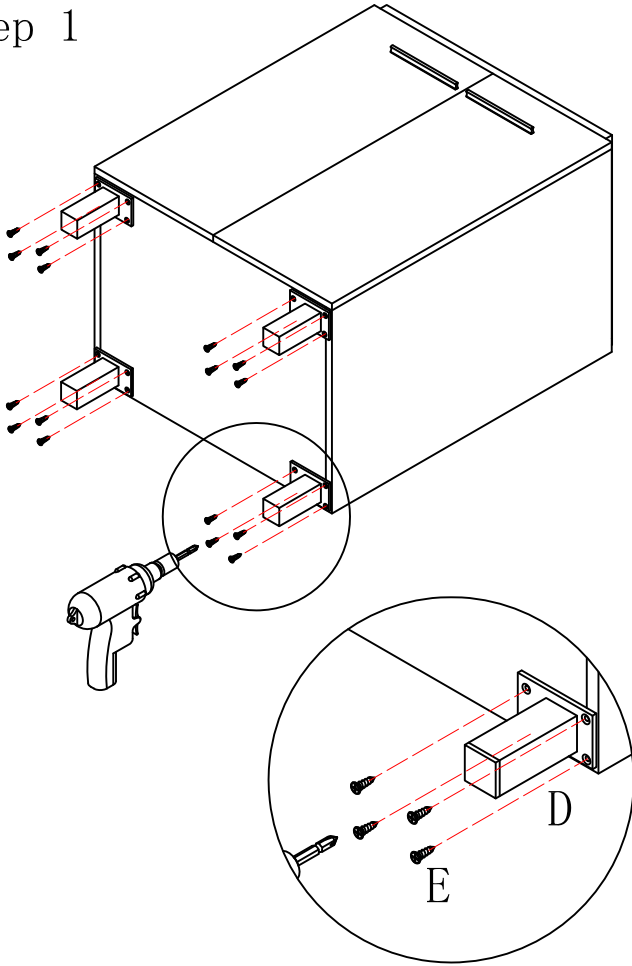
WALL

WALL

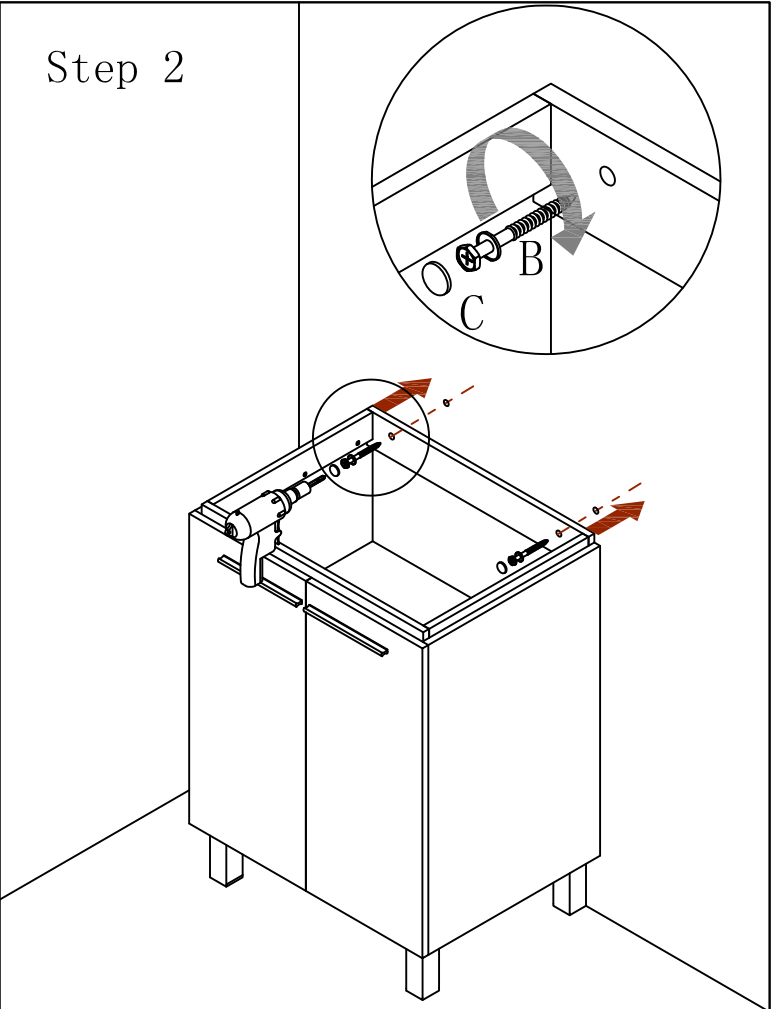


FLOOR

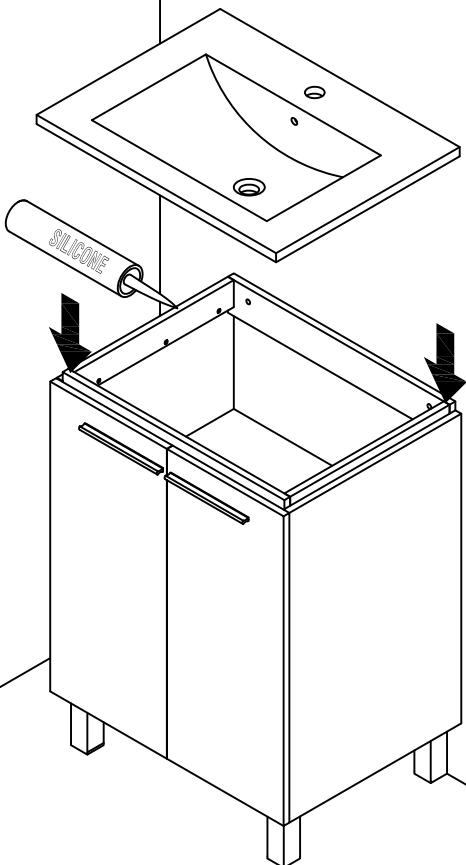
Step 1



Step 2



Step 3



Finished

