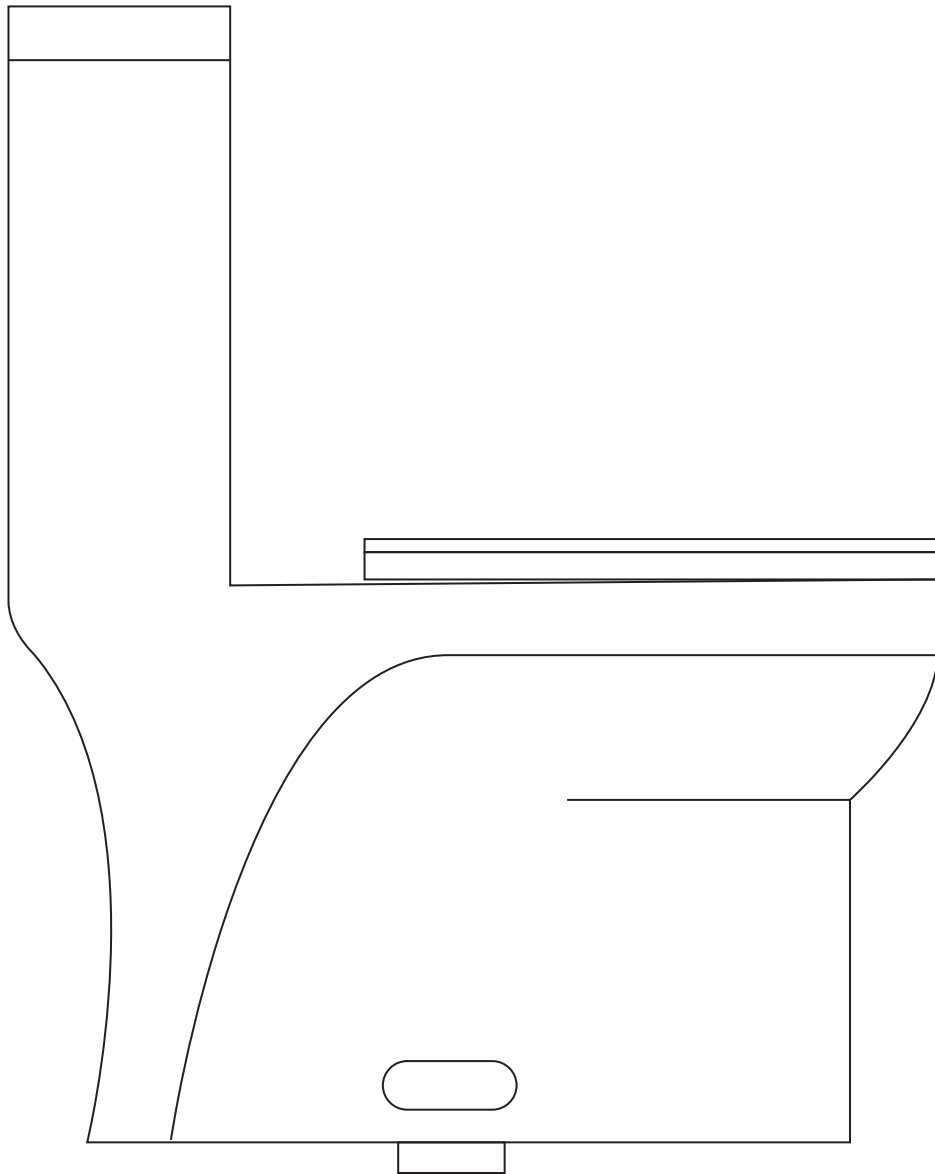


INSTALLATION INSTRUCTIONS

Swiss Madison[®]
well made forever

Virage One-Piece Toilet SM-1T118



Share your pictures for a feature!
using **#SwissMadison**





Prior to Installation:

- Inspect toilet to ensure no damages have occurred while in shipping.
- Observe all plumbing and building codes in accordance with your state and local requirements.
- Remove old toilet.
- Make sure mounting surface is CLEAN and LEVEL

General Recommendations: Read installation and maintenance instructions thoroughly before installing the toilet. Be sure to use proper tools and always wear proper personal safety accessories for your protection.

If you have any questions or concerns please contact us:

1-434-623-4766
info@swissmadison.com

Thank you for your purchase

Thank you for purchasing a Swiss Madison One-Piece Toilet.

We appreciate your business and know you will enjoy your toilet for many years to come.

If you have any questions or require assistance we would be happy to help,
please contact us at 1-434-6234766 or info@swissmadison.com.

To learn more about our products, please visit:

www.swissmadison.com

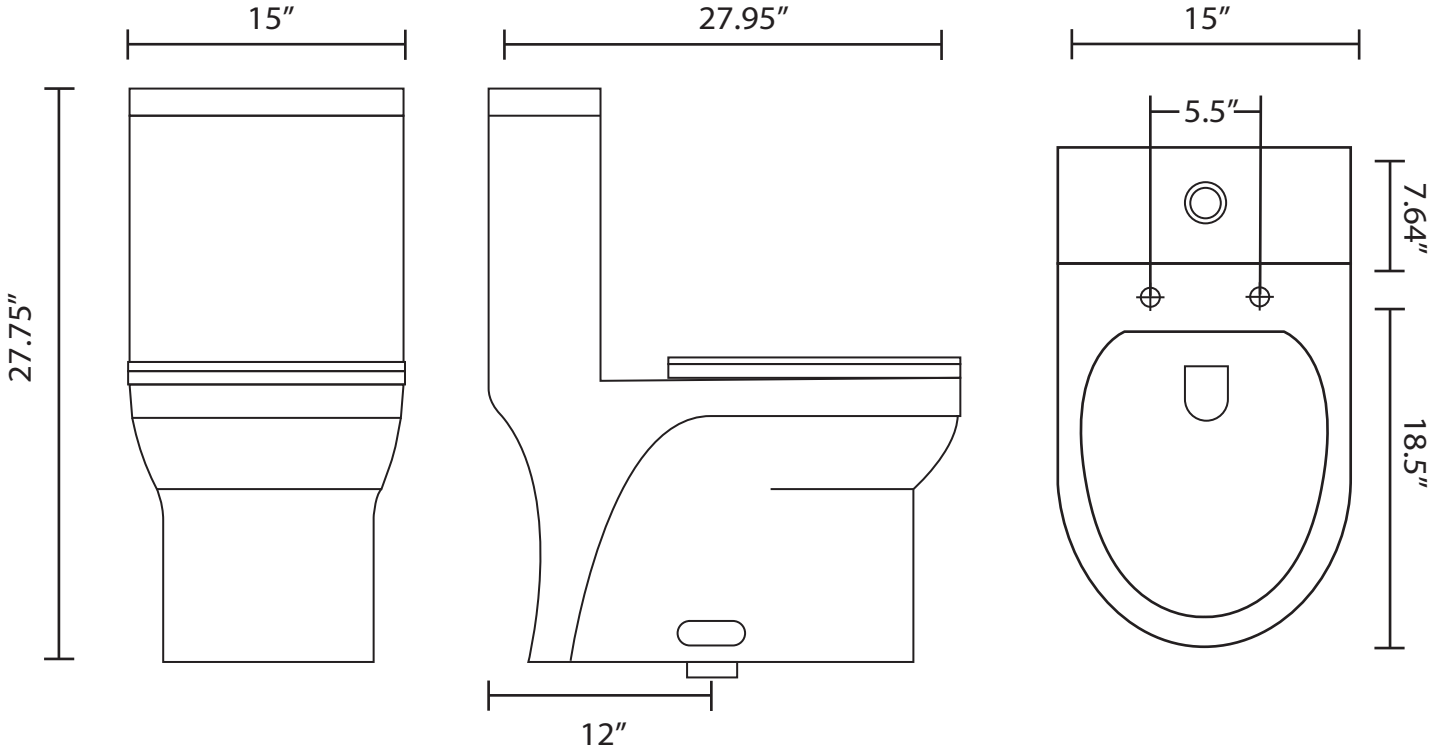
Sincerely,

The Swiss Madison Team

ONE-PIECE TOILET

ROUGH DIMENSIONS

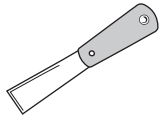
NOTE: Distance from wall to closest flange centerline must be listed as below.



SUGGESTED TOOLS AND MATERIALS



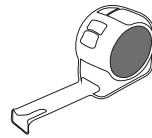
Safety Glasses



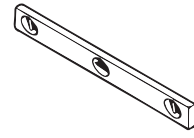
Putty Knife



Wrench



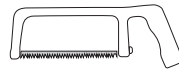
Tape Measure



Level



Flexible Supply Tube



Hacksaw



Screwdriver

PARTS LIST

- One-Piece Toilet
- Wax Ring/ Gasket
- Bolts
- Side Cover Caps

NOTE: Specialized tools may be necessary to install a Swiss Madison One-Piece Toilet, plumbing not included.

The step-by-step guidelines in the installation instructions are a general reference for installing a Swiss Madison One-Piece Toilet. Should there be any discrepancies, Swiss Madison cannot be held liable. It is recommended to install all Swiss Madison products by hiring a licensed professional



1. Read the complete instruction manual before beginning installation.



2. Confirm that your model will fit in intended location and plumbing fixtures are located where legally required before beginning installation.



3. Not all drawings on this manual are drawn to scale. Please refer to the model chart.

4. Two people are recommended to install and move this product.

5. Product is FRAGILE! To avoid breakage and possible injury handle with care.

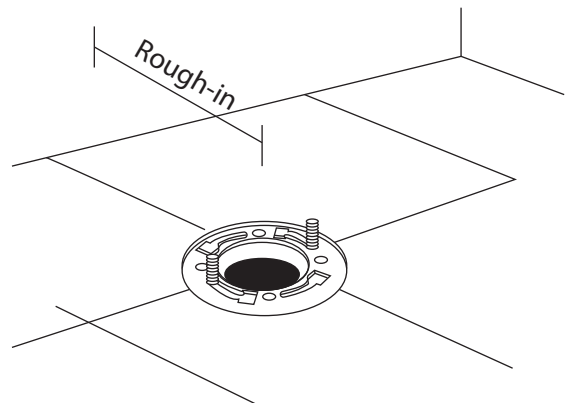
1. Remove Old Toilet

- Close toilet supply valve and flush tank completely, use towel or sponge to remove excess water.
- Disconnect and remove supply line, if you are replacing the valve shut off the main water supply first.
- Remove old mounting hardware, remove toilet and plug floor waste opening to prevent escaping gas.
- Remove closet bolts from flange and clean away old wax, putty, etc. from base area.

2. Rough-In the Toilet

- Using the measurements on the previous page find the toilets rough-in.
- Measure the wall from behind the toilet to the middle of the closet bolt.

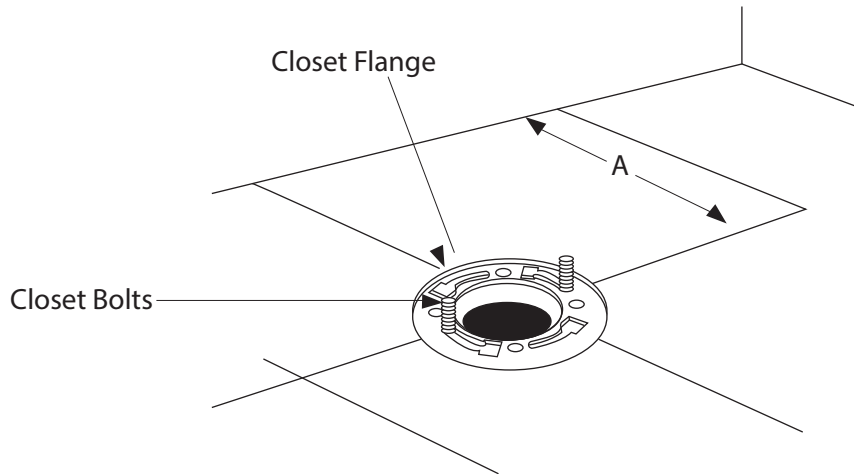
NOTE: Your rough-in measurement should be around 12".



NOTE: Drawings may not exactly define contour of china.

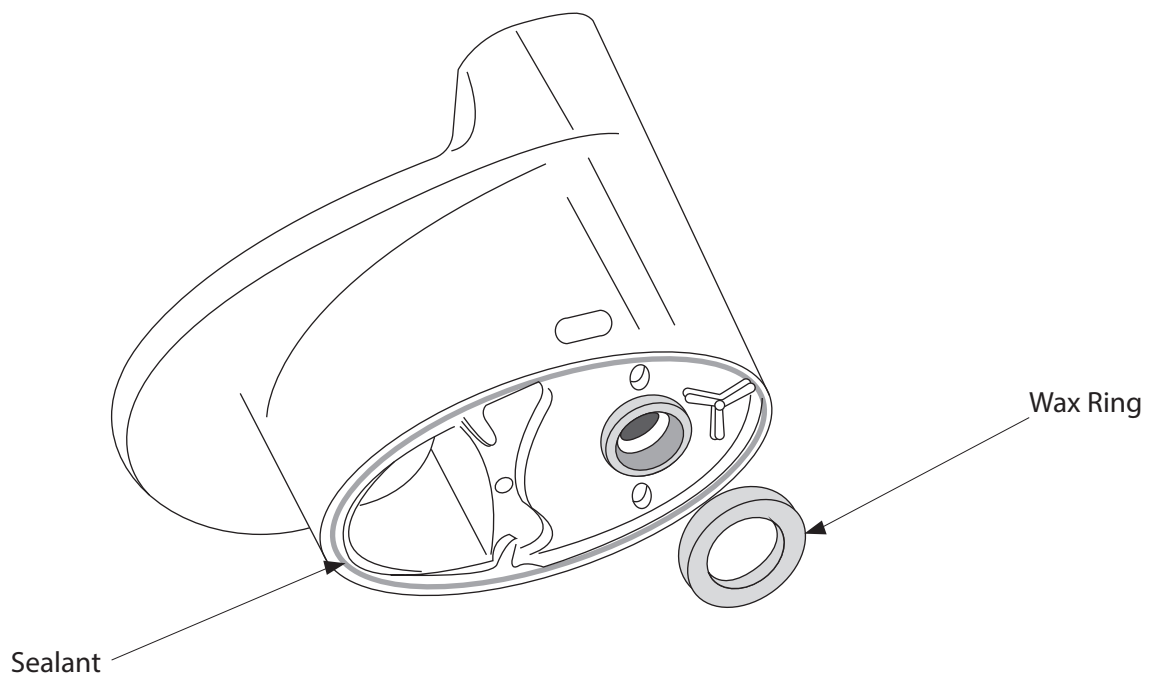
3. Install Closet Bolts

- Install closet bolts to flange channel, turn 90° and slide into place 6" (152mm) apart and parallel to wall.



4. Install Wax Seal

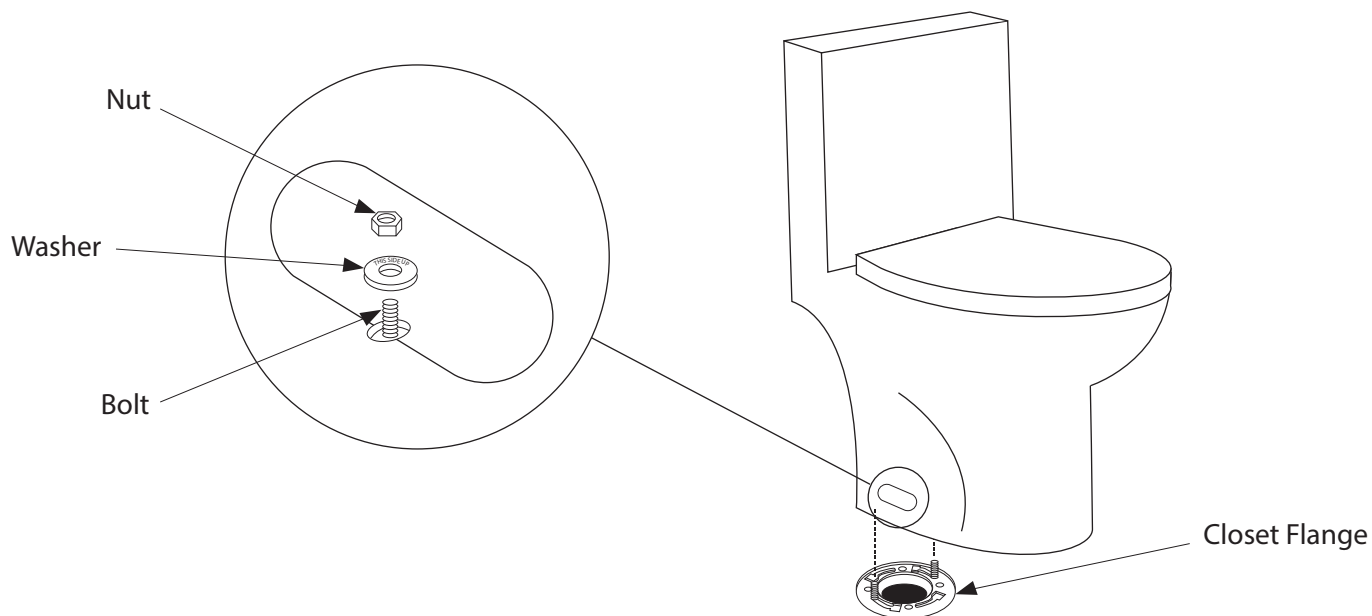
- Invert toilet on floor (use cushion to prevent damage), and install wax ring evenly around waste flange (horn), with tapered end of ring facing toilet. Apply a thin bead of sealant around toilet base.



NOTE: Drawings may not exactly define contour of china.

4. Position Toilet on Flange

- Unplug floor waste opening and install toilet on closet flange so bolts project through mounting holes.
- Loosely install retainer washers and nuts. Side of washers marked "THIS SIDE UP" *must* face up!

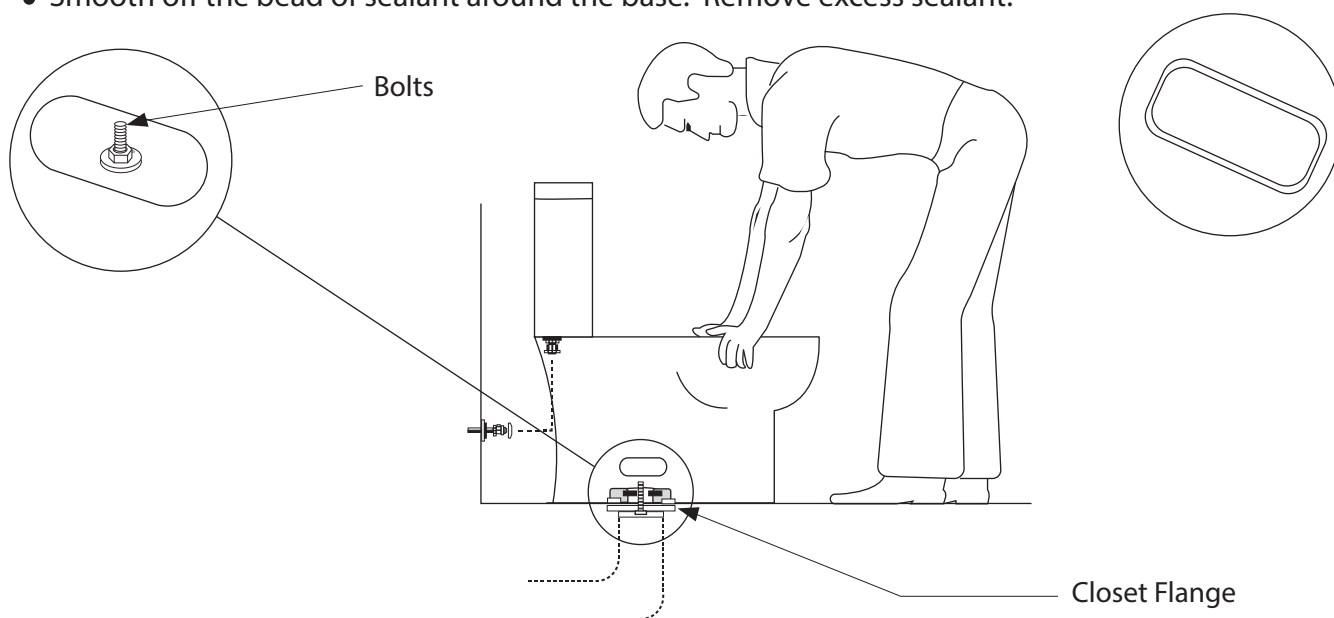


5. Install Toilet

- Position toilet squarely to wall and, with a rocking motion, press bowl down fully on wax ring and flange. Alternately tighten nuts until toilet is firmly sealed to floor.

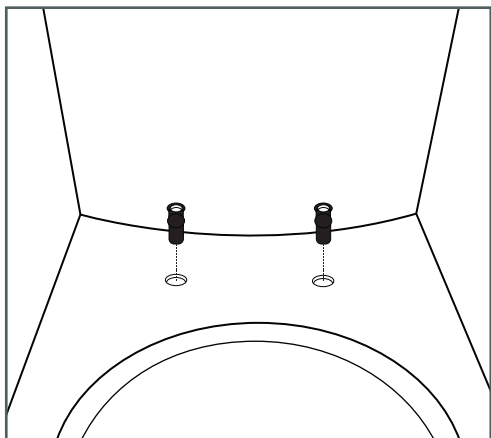
NOTE: Do NOT over-tighten nuts as it might crack the ceramic!

- Adhere bolt covers to toilet.
- Smooth off the bead of sealant around the base. Remove excess sealant.

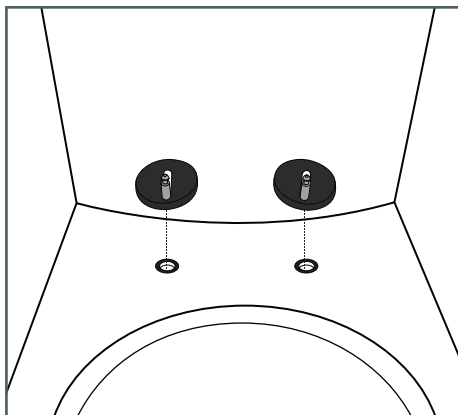


NOTE: Drawings may not exactly define contour of china.

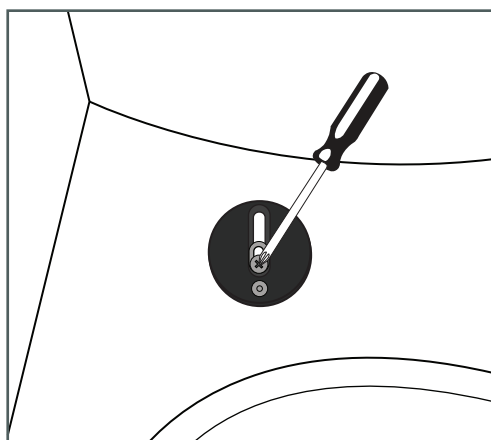
6. Install Toilet Seat



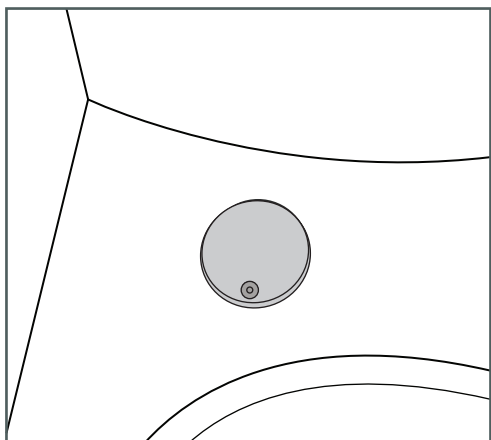
Insert threaded rubber piece into holes on top of toilet.



Place seat hardware over where you inserted the threaded rubber pieces.



Place washer onto screw then thread screw through the seat hardware into the rubber piece. Before you fully screw in hardware, be sure to test position by placing the seat on top and making adjustments if needed.



Add cover caps over top of seat hardware.



Pop on your quick-release seat.

NOTE: Drawings may not exactly define contour of china.



1-434-MADISON

(623-4766)

19 Stults Rd., Dayton, NJ 08810

www.swissmadison.com

ONE YEAR LIMITED WARRANTY

Swiss Madison® products are made with quality materials and excellent craftsmanship to provide the customers a long lasting product. In the case of any defects in materials or craftsmanship under regular use were inspected in the first year of purchase, Swiss Madison® will provide replacement parts at no charge, or at its option, replace any product or part of the product that is deemed defective, under normal installation, use, service and maintenance. This warranty applies only to the original purchaser. Proof of purchase will be required in the case of a claim.

Swiss Madison® recommends the installations to be made by a licensed, professional plumber. Swiss Madison® will not be held responsible for any damage or product failure due to improper installation, misuse, or failure to use a licensed professional. Swiss Madison® is not responsible for any removal or installation cost.

This One Year Limited Warranty will be voided if:

- The installation recommendations were not followed.
- The product has been moved from it's initial place of installation.
- The product has been modified.
- The product has been subjected to improper maintenance, abuse, misuse, excessive use of chemicals, accident or other damages.

Swiss Madison® makes no implication that products comply with any or all local building or plumbing codes. It is the consumer's responsibility to determine local code compliance. This warranty extends to the original purchaser and first consumer.

Swiss Madison® is not liable for any incidental, consequential or special damages associated with the return, replacement, installation or use of your product. This includes freight costs, labor, travel time, lost profit, home damages and other contingent liabilities and costs (including, without limitation, costs associated with experts, investigations, analyses, attorneys and other professionals and services).

The Swiss Madison® warranty is a comprehensive and explicit limit of liability, and all items outside of it are not addressable by or the responsibility of Swiss Madison®. Certain states have variances regarding implied warranties and in those situations we remain fully compliant.

In the case of any questions or a claim contact us directly at 1-434-MADISON (623-4766).

WARNING: Content may contain sharp and other possibly harmful pieces and may cause hazard to children and adults, Swiss Madison® is not responsible in any way for personal damage.