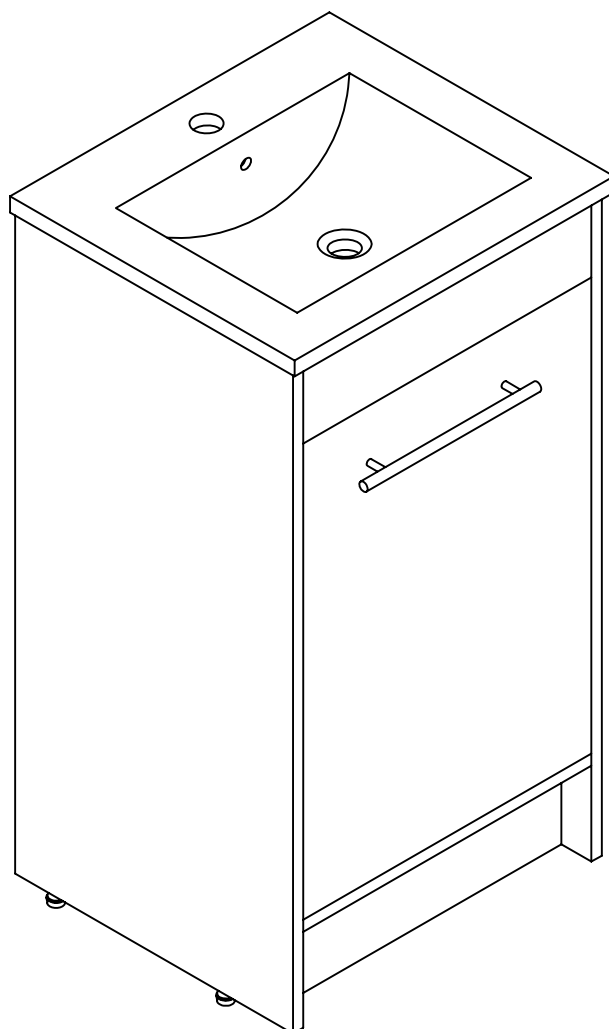


DOWELL

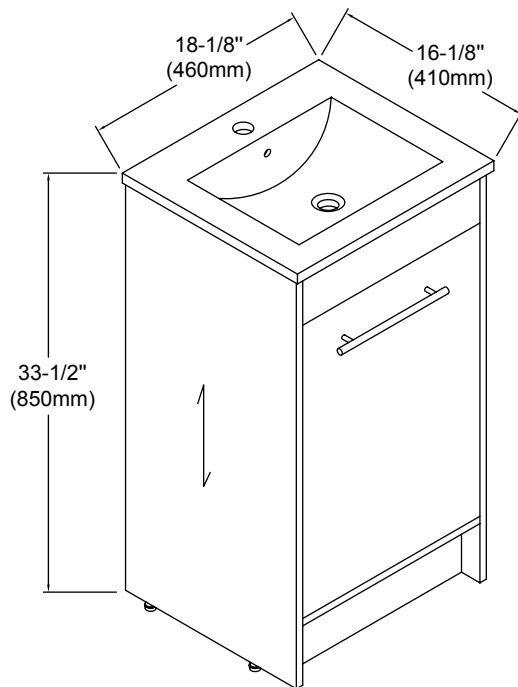
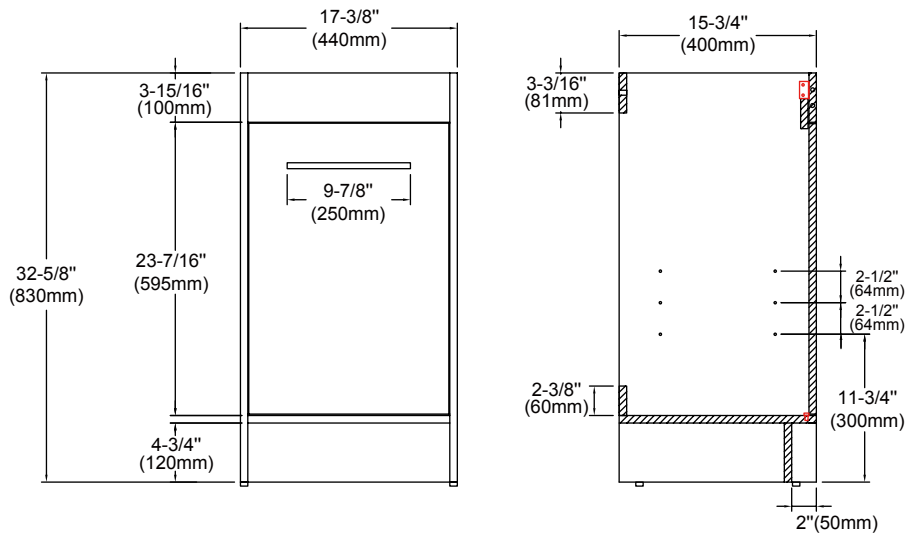
012 Series-18

Bathroom Cabinet









INSTALLATION GUIDE



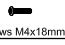







18" Vanity + Ceramic Basin Drawing

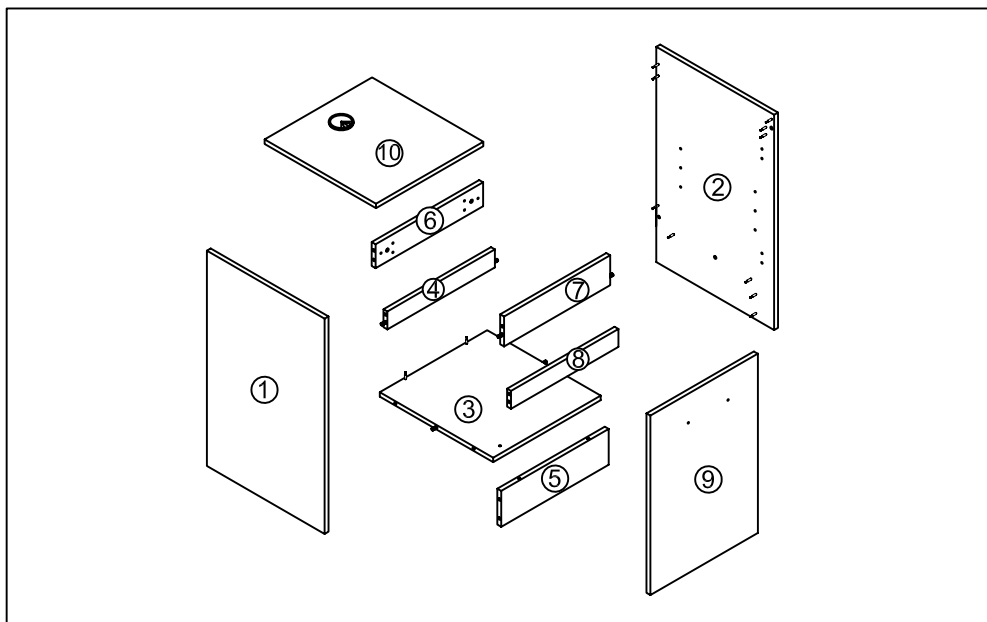


Hardware

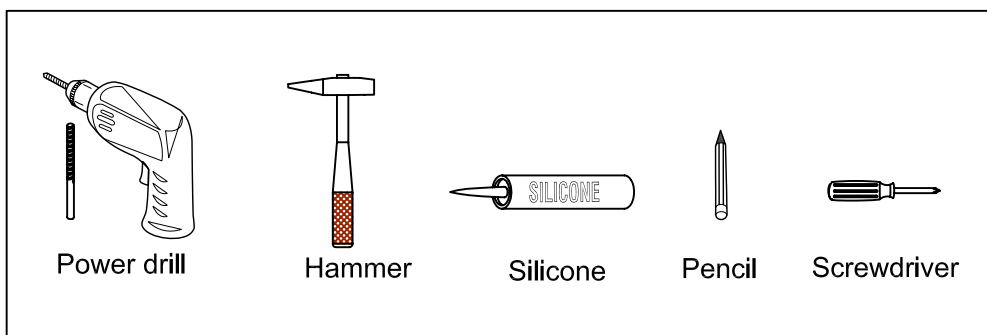
NO.	Draw	QTY
A	 Screws Ø4x14mm	32
B	 Two-in-one connector	24
C	 Two-in-one connector	24
D	 Wood plug	6
E	 Plastic anchor(Ø10mm)	2
F	 Screws for fix on the wall	2
G	 Bracket (53x70x44mm)	2
H	 Bracket (19x19x35mm)	2

NO.	Draw	QTY
I	 Hinges	2
J	 Handles	1
K	 Screws M4x18mm	2
L	 Anti-collision gasket	3
M	 Adjustable feet	4
N	 Door stopper	1
O	 Movable laminate support	4
P	 Screwdriver	1

Components



Recommended tools You Will Need-Outils Requis



Step 1

	x4
B	
	x4
C	
	x1
P	

Notes: Screw installation depth as shown

Attention: Cam lock arrow point to the steel rod.

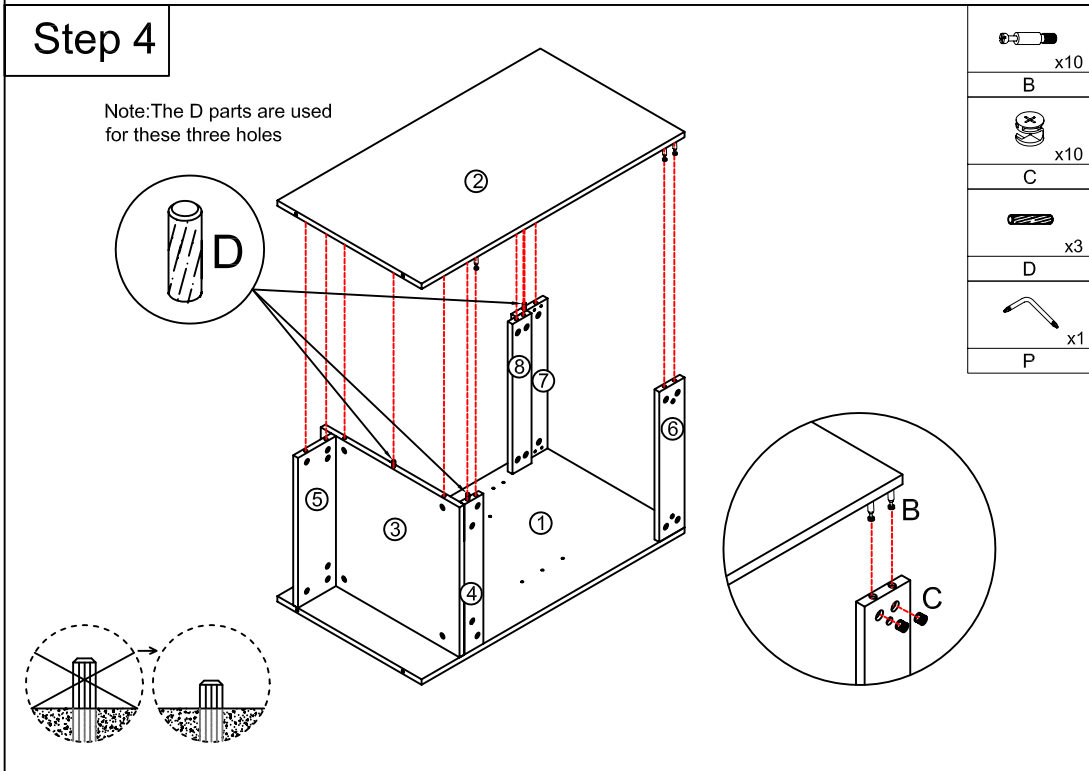
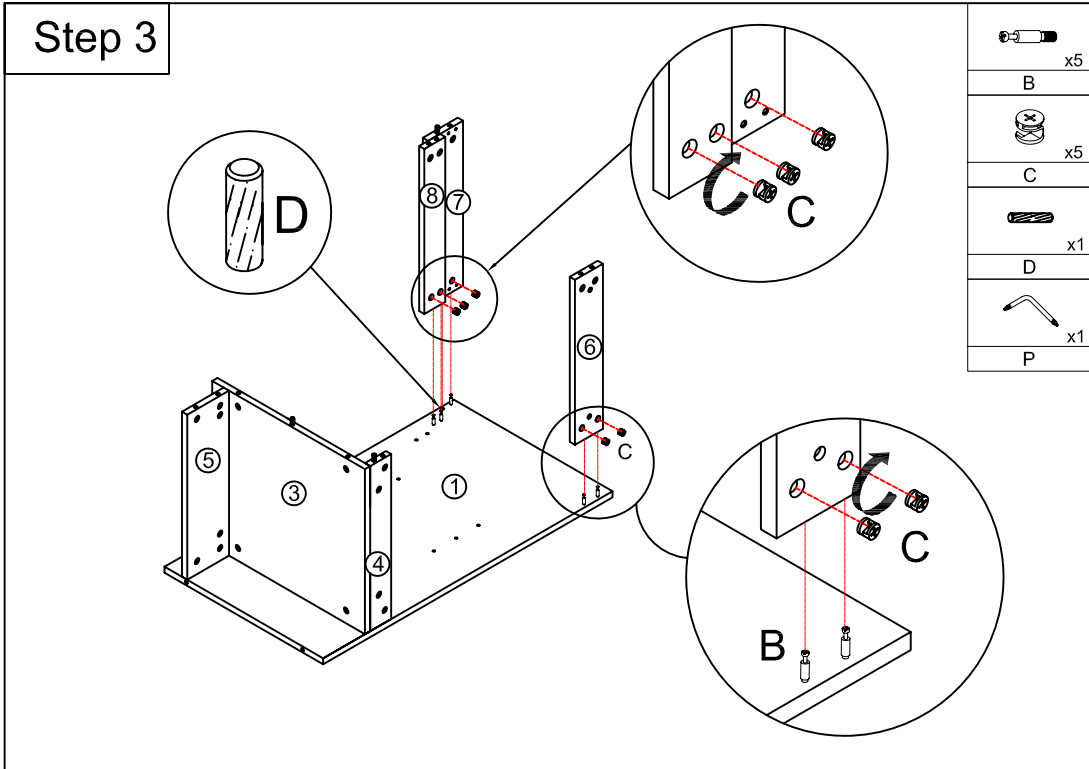
Step 2

	x5
B	
	x5
C	
	x2
D	
	x1
P	

Note: The D parts are used for these two holes

first step
second step
third step

page 4



<p>Step 5</p>		<table border="1"> <tr> <td></td> <td>x2</td> </tr> <tr> <td>G</td> <td></td> </tr> <tr> <td>(∅4 x 14mm)</td> <td></td> </tr> <tr> <td></td> <td>x12</td> </tr> <tr> <td>A</td> <td></td> </tr> <tr> <td></td> <td>x1</td> </tr> <tr> <td>N</td> <td></td> </tr> <tr> <td></td> <td></td> </tr> <tr> <td>Tool</td> <td></td> </tr> </table>		x2	G		(∅4 x 14mm)			x12	A			x1	N				Tool	
	x2																			
G																				
(∅4 x 14mm)																				
	x12																			
A																				
	x1																			
N																				
Tool																				
<p>Step 6</p>		<table border="1"> <tr> <td></td> <td>x2</td> </tr> <tr> <td>H</td> <td></td> </tr> <tr> <td>(∅4 x 14mm)</td> <td></td> </tr> <tr> <td></td> <td>x8</td> </tr> <tr> <td>A</td> <td></td> </tr> <tr> <td></td> <td></td> </tr> <tr> <td>Tool</td> <td></td> </tr> </table>		x2	H		(∅4 x 14mm)			x8	A				Tool					
	x2																			
H																				
(∅4 x 14mm)																				
	x8																			
A																				
Tool																				

Step 7

	x2
I	
(∅4 x 14mm)	
	x12
A	
Tool	

You can adjust the doors by tightening or loosening the screws on the hinge. →

Step 8

	x1
J	
	x2
K	
	x2
L	
	x4
M	
Tool	

page 7

