



## *UNLV School of Dental Medicine*

Las Vegas, Nevada

*clever. creative. comfort.*

Client - UNLV

Representative Office - Norman Wright Mechanical

Architect - Carpenter Sellers Del Gatto Architects / PGAL

LEED Certification - None



### ABOUT THE PROJECT

The UNLV School of Dental Medicine is a 2-story, 40,000 square-foot facility designed to teach, prepare and immerse the next generation of students into the field of dental medicine. Students have the opportunity to learn the basics from operating a dental practice to performing oral surgery. Formally an office building, the new state-of-the-art building houses everything needed for new dentists to succeed.

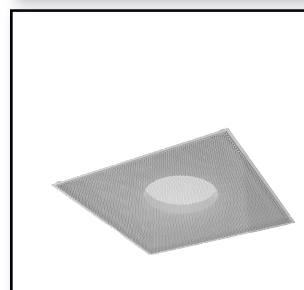
The main floor of the school contains all of the dental practice and surgical areas. Each area or pod is designed to focus on one particular aspect of dental medicine which includes the following: pediatric, ortho, endo and perio dentistry. This floor also has a wet lab, consultation rooms, administrative rooms, and a CT scanner. The second floor mainly houses the classroom environments.

### THE TITUS SOLUTION

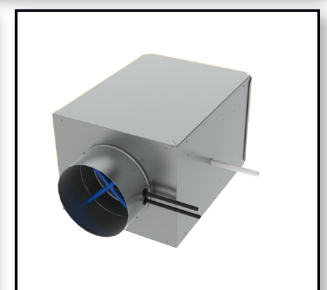
Titus has worked with many schools in the creation of their HVAC system, especially those in critical environment applications. We were able to provide several Titus products for the university. The main products featured in the building are the TDCA diffuser, our perforated diffusers,



**TDCA**



**PAR/PAS**



**DESV**

# UNLV School of Dental Medicine

Las Vegas, Nevada



and the DESV single duct terminal unit.

The Titus Series TDC diffusers can handle an unusually large amount of air for a given pressure drop and noise level. Their pleasing appearance harmonizes with various architectural details, especially in modular ceiling systems. Our TDCA diffuser is an adjustable discharge product that contains movable vanes that is accessible from the face of the unit. The discharge pattern of the diffuser can then be adjusted from horizontal to vertical which makes it extremely flexible. The TDCA also maintains an unbroken horizontal flow pattern from maximum cfm down to minimum. All of these features make this diffuser an excellent choice for Variable Air Volume (VAV) systems.

Perforated ceiling diffusers are typically selected to meet architectural demands for air outlets that blend into the ceiling plane. Titus perforated diffusers can be selected for a round pattern to maximize capacity or star pattern to maximize throw. The UNLV School of Dental Medicine utilizes a combination of supply and return diffusers (PAS/PAR).

Single Duct terminals are the fundamental building blocks for VAV systems. Their primary function is to regulate airflow to a zone, in response to zone temperature requirements. The Titus DESV is unique as it incorporates many design features that increase performance, decrease service and installation costs, and offer increased value, over and above this basic function.



# UNLV School of Dental Medicine

Las Vegas, Nevada



## THE END RESULT

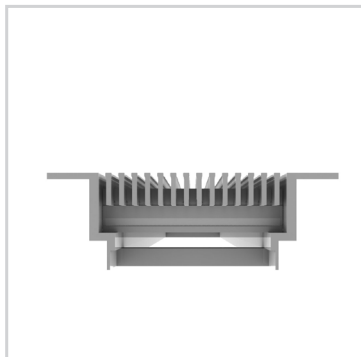
Since it opened, the new UNLV School of Dental Medicine has been making an impact in the its industry and in the classroom. Students now have access to state-of-the-art equipment and are more prepared to deal with real-life dental situations than ever before. The training and teaching being delivered is fostering a new generation to take the reigns and advance the science of dental medicine.



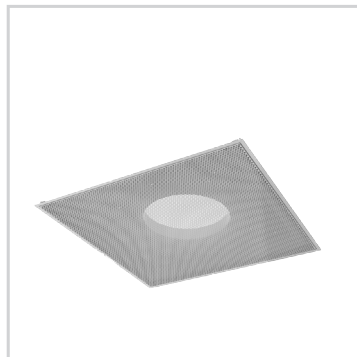
## Titus Products List



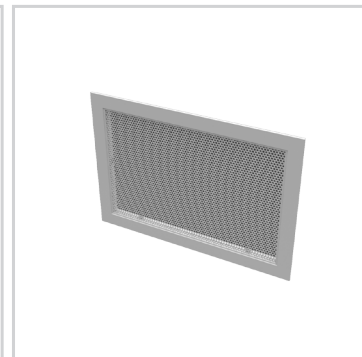
TDCA



CT



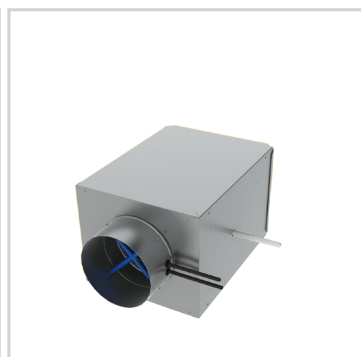
PAR/PAS



8F



300/350F



DESV

Address - 605 Shiloh Rd Plano Texas 75074

Office - 972.212.4800

Fax - 972.212.4884

E-mail - [titus@titus-hvac.com](mailto:titus@titus-hvac.com)

Websites - [www.titus-hvac.com](http://www.titus-hvac.com) | [www.titus-energysolutions.com](http://www.titus-energysolutions.com)

© Copyright Titus 2012 | All rights reserved