

Fossil Corporate Headquarters

Richardson, Texas



Client – Fossil
 Rep Office – ADW Corporation
 Architect – Corgan Associates
 Engineering Firm – Schmidt & Stacy Consulting Engineers
 Contractor – TDIndustries
 LEED Certification – None

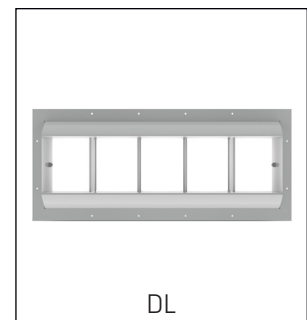


ABOUT THE PROJECT

The new Fossil Headquarters located in the old BlueCross / BlueShield of Texas building is an impressive interior renovation completed by Corgan Associates, Schmidt & Stacy Consulting Engineers, TDIndustries and others in a very short timeframe. The contractors and installers had consistent input from the designers throughout the project. The new headquarters combines three buildings to create a breathtaking facility that consists of open and hard ceilings, a two-story gym, a photo lab for producing their own marketing collateral and conference rooms that resemble small boutique stores! Fossil truly spared no expense when it came to creating the perfect office environment for its employees and customers.

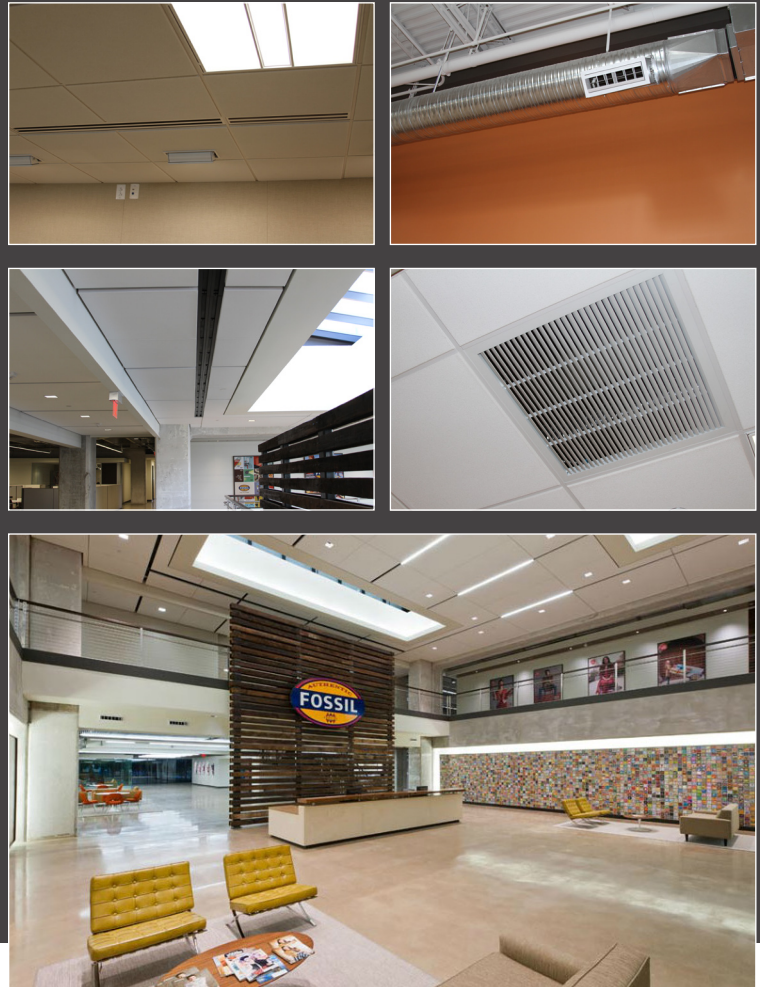
THE TITUS SOLUTION

Titus was extremely pleased to be selected to provide the air distribution for such a strong fashion brand. We have many products that not only work well in open-ceiling environments, but also produce products that perform well in hard ceiling applications. There are a tremendous amount of Titus products featured throughout this 535,000 square-foot facility. The majority of our products featured within the new headquarters are the TMR-AA diffuser, the



Fossil Corporate Headquarters

Richardson, Texas



FlowBar, the ML diffuser, and the Drum Louver (DL).

Titus model TMR-AA is a round ceiling diffuser designed for both heating and cooling applications. All sizes have three cones, giving it a uniform appearance where different sizes are used in the same area. The TMR-AA delivers a uniform 360° air discharge pattern and exhibits excellent performance in variable air volume (VAV) systems.

Our linear bar diffusers are quickly becoming a favorite selection for architects to choose from. Titus' FlowBar and ML diffusers highlight this particular set of diffusers. The FlowBar is an architectural linear diffuser system that maximizes engineering performance without sacrificing the aesthetic considerations of the architect. FlowBar's outstanding performance allows higher airflows than conventional linear diffusers. The wide array of slot widths allow for more CFM per linear foot while minimizing noise and pressure loss. The Flowbar system is available in continuous linear, incremental linear and square configurations. The Titus ML Modulinear diffuser is a high performance, high quality linear slot diffuser. The unique "ice tong" deflector blades allow for both changes in air volume and direction from the face of the diffuser. This diffuser is also available in 1

through 8-slot configurations except for the ML-40. It is only available in 4-slot configurations.

Finally, Titus drum louvers (DL) are great for shopping malls, warehouses, sports arenas, gyms, factories and other large open areas where air must be thrown over a large distance. The high capacity long throws and rugged construction make them an ideal choice for any commercial / industrial application. Additionally, our TMS diffuser, 23RL grille and CT linear bar diffuser are also featured at various points within the building.

THE END RESULT

The completion of Fossil's impressive corporate headquarters renovation was a very quick and coordinated effort by all involved. The representative firm, contractors, engineers, and architects all coordinated their efforts to create a superior working environment for one of the world's best Lifestyle and Watch brands. This facility will definitely aid in Fossil keeping the creative juices flowing to maintain it's status as a strong brand name for many years to come.



Product List



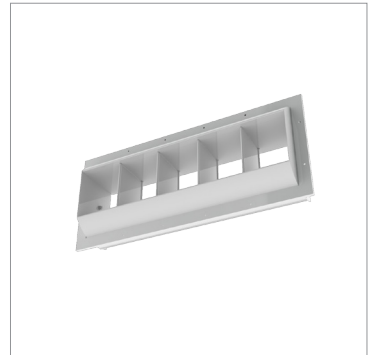
TMR-AA



ML



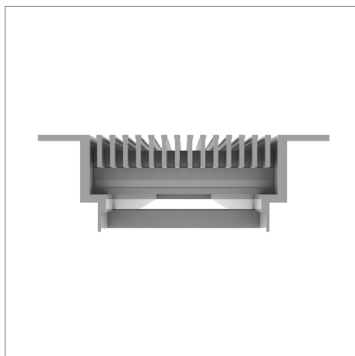
FlowBar



DL



TMS



CT



23RL