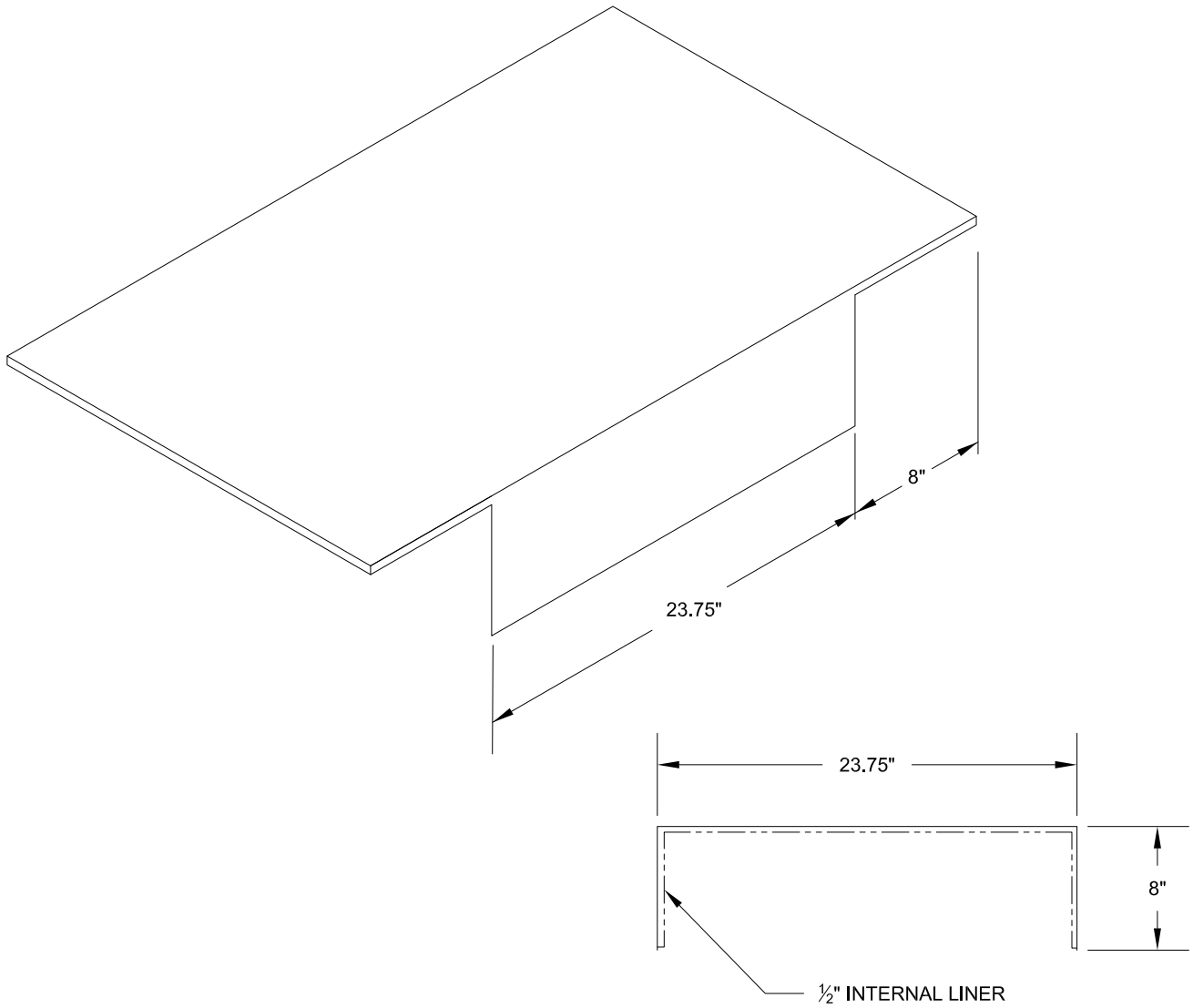


# AIR DISTRIBUTION SUBMITTAL



NOMINAL 24X24 SHOWN  
ALSO AVAILABLE 12X12, 24X12  
24 GA GALVANNEALED STEEL HOUSING  
INTERNAL 1/2" FIBERGLASS LINER W/BLACK COATING

STANDARD INDUSTRY TOLERANCES APPLY. SPECIFICATIONS  
ARE SUBJECT TO CHANGE WITHOUT NOTICE.

JOB NAME: \_\_\_\_\_  
LOCATION: \_\_\_\_\_  
ARCHITECT: \_\_\_\_\_  
ENGINEER: \_\_\_\_\_  
CONTRACTOR: \_\_\_\_\_

## CUSTOM LIGHT SHIELDS

DRAWN BY  
RBJ

DATE  
12-21-16

DWG. NO.  
CD-955A

P.O. BOX 250  
ALBION, IOWA 50005  
PH. (641) 488-2211 FAX (641) 488-2796  
www.raymon-hvac.com



**RAYMON**  
DONCO AIR DISTRIBUTION EQUIPMENT