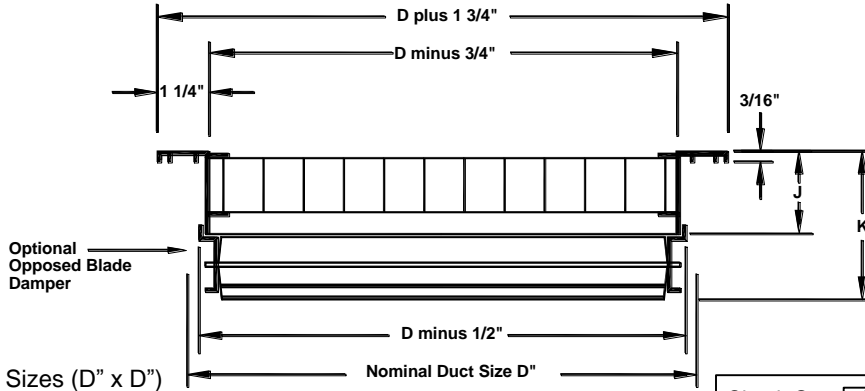


Eggcrate Return Grilles • Aluminum Grid • Aluminum Border

- 50F • Code A • Aluminum Grid • 1/2" x 1/2" x 1/2" • Aluminum Border
- 50F • Code B • Aluminum Grid • 1/2" x 1/2" x 1" • Aluminum Border
- 50F • Code C • Aluminum Grid • 1" x 1" x 1" • Aluminum Border

- Border Type 1 (Surface Mount)



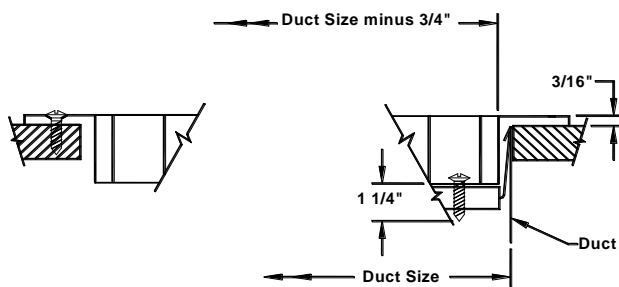
Available Sizes (D" x D")

Border Type 1 available in sizes 6" x 4" through 48" x 48" in one piece construction. Sizes larger than 48" x 48" are shipped in multiple sections. Odd and fractional sizes are available at additional cost. Wall or duct opening should be duct size $\pm 1/8$ ". All dimensions are in inches.

Check One	<input checked="" type="checkbox"/>	<input type="checkbox"/>	<input type="checkbox"/>	<input type="checkbox"/>
Dimension	1/2" x 1/2" x 1/2"	1/2" x 1/2" x 1"	1" x 1" x 1"	
J	1 1/4"	1 1/4"	1 1/4"	
K	2 1/2"	2 15/16"	2 15/16"	

Fastenings

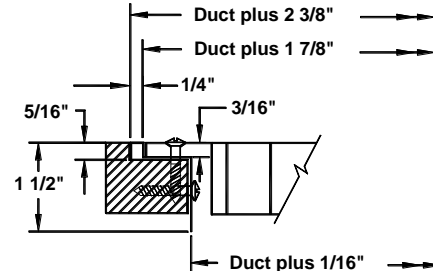
- Type A • External Screw Type C • Concealed Screw



Available with Border Type 1 only. Type 'C' fastening not available on unit with damper.

Mounting Frames

- PFAP • Aluminum Plaster Frame



Recessed Mounted Example

Note: Plaster frame can be installed as either surface mount or recessed. Note: Dimensions are in inches. Wall or duct opening should be duct sizes + 1/8".

Accessories (Optional) Check if provided.

- Neck mounted opposed blade damper (galvanized steel)
- IS • Insect Screen (1/16" square mesh – galvanized steel)
- EQT • Earthquake Tabs
- DS • Debris Screen (1/4" square mesh – galvanized steel)
- Other: _____

Standard Finish: #26 White

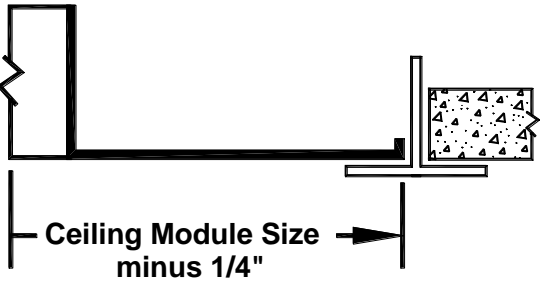
- Other Finish: _____

General Description

- #8 x 1 1/4 lg. Phillips flat head sheet metal screws painted white.
- Insect and debris screens are not available when dampers are fitted.
- Optional opposed blade damper has screwdriver adjustment accessible through face of grille.
- Material is aluminum.
- All dimensions are ± 2 ".

Optional Border Types Available

Border Type 3 (Lay-in)
Panel Mounted



**Ceiling Module Size
minus 1/4"**

Available as panel-mounted in all standard module sizes with neck sizes up to module size minus 2". Note: Module size minus 2" sizes do not require panel mounting.

Border Type 3

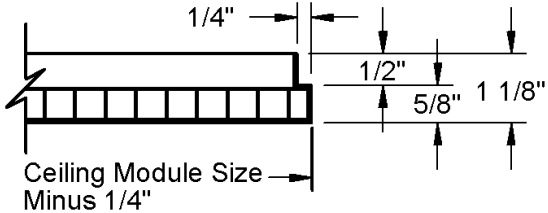
• Accessories & Options

Check if provided.

- Neck mounted opposed blade damper (galvanized steel)
- IS • Insect Screen (1/16" square mesh – galvanized steel)
- DS • Debris Screen (1/4" square mesh – galvanized steel)
- EQT • Earthquake tabs
- Other: _____

Standard Finish: #26 White

Border Type 7 (Channel)



**Ceiling Module Size
Minus 1/4"**

Available in sizes up to 48" x 48".

Border Type 7

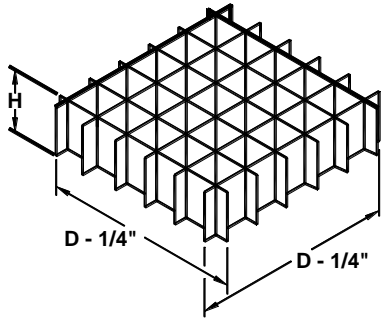
• Accessories & Options

Check if provided.

- EQT • Earthquake tabs
- Other: _____

Standard Finish: #26 White

Border Type 8 (Core only)



Available in sizes up to 48" x 48"

Border Type 8

• Accessories & Options

Check if provided.

- EQT • Earthquake tabs
- Other: _____

Standard Finish: #26 White

This submittal is meant to demonstrate general dimensions of this product. The drawings are not meant to detail every aspect of the product. Drawings are not to scale. Titus reserves the right to make changes without written notice.