



DYNAMIC ROUND FIRE DAMPER
 1 1/2 HR. LABEL • VERT. OR HORIZ.
 FOR USE IN DYNAMIC OR STATIC SYSTEMS
MODEL: 1290F



QUALIFICATIONS:

- UL 555 & CAN/ULC-S112 CLASSIFIED DYNAMIC FIRE DAMPER 1 1/2 hr. Label (File # R9492).
- Meets NFPA 80, 90A and 101 as well as IBC and NBC (Canada) Building Code requirements.
- California State Fire Marshal: Fire Damper Listing No. 3225-0935:0101.
- Maximum velocity: 2000 fpm @ 4" w.g. (10 m/s @ 1 kPa).

Model 1290F fire damper is ideal for applications where building codes require a fire damper for the protection of ductwork penetrations in walls or floors that have a fire resistance rating of up to 2 hours. The 1290F is classified for use in dynamic "fans on" systems where the HVAC system remains operative in the event of a fire. Damper closure under airflow is assured.

The 1290F is an economical true round fire damper designed and qualified specifically for point-of-origin fire containment where round ductwork passes through metal or wood stud drywall partitions and masonry walls or floors.

Features include the industry proven over-center knee lock design with high torque spring/fusible link closure. The 1290F is supplied as standard with a crank arm and locking screw which holds the damper in the fully open position, but may also be used for system balancing if required.

STANDARD CONSTRUCTION:

- Frame:** 20 ga. (1.0) galvanized steel integral sleeve and retaining plates.
- Blade:** 2 x 20 ga. (1.0) galv. steel laminated together. 14 ga. (2.0) equivalent thickness.
- Linkage:** Jackshaft to blade.
- Bearings:** 1/2" (13) dia. self-lubricating oilite bronze.
- Axles:** 1/2" (13) dia. plated steel double bolted to blades.
- Jackshaft:** 1/2" (13) dia. cadmium plated steel. Supplied with factory mounted hand locking quadrant.
- Fusible Link:** 165°F (74°C) standard. 212°F (100°C) available.

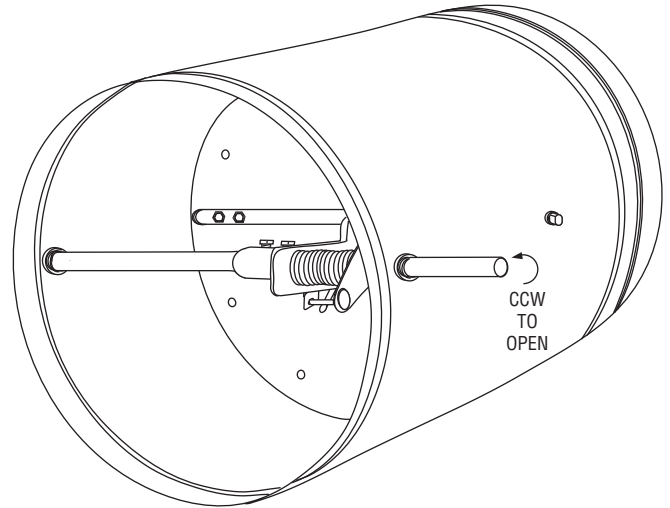
Sizes (Duct Dia.):

Minimum	Maximum
6" (152) dia.	24" (610) dia.

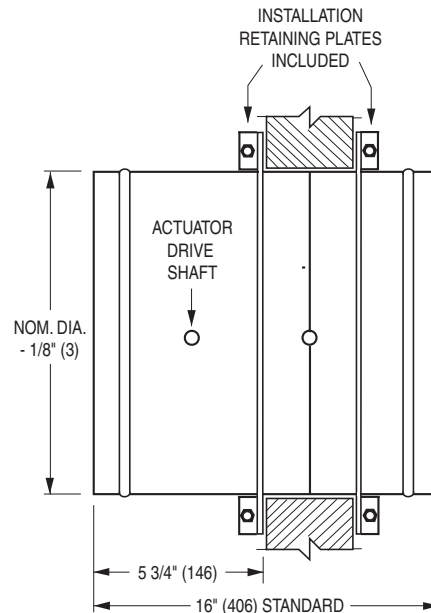
Note: Dampers available in 1" (25) increments. Vertical or horizontal installation.

OPTIONS:

- BS** Stainless steel bearings
- MLS-300** Position indicator switch pack (8" (203) dia. minimum size required).



(Retaining Plates not shown)



Wall Thickness	Min. Sleeve Length
4 to 8 (102 to 203)	16 (406)
10 to 12 (254 to 305)	20 (508)
14 to 16 (356 to 406)	24 (610)

SCHEDULE TYPE:

PROJECT:

ENGINEER:

CONTRACTOR:

For installation instructions, see IOM-1290FINST.
 Dimensions are in inches (mm).

DATE	B SERIES	SUPERSEDES	DRAWING NO.
4 - 28 - 14	1200	11 - 28 - 11	1290F-1